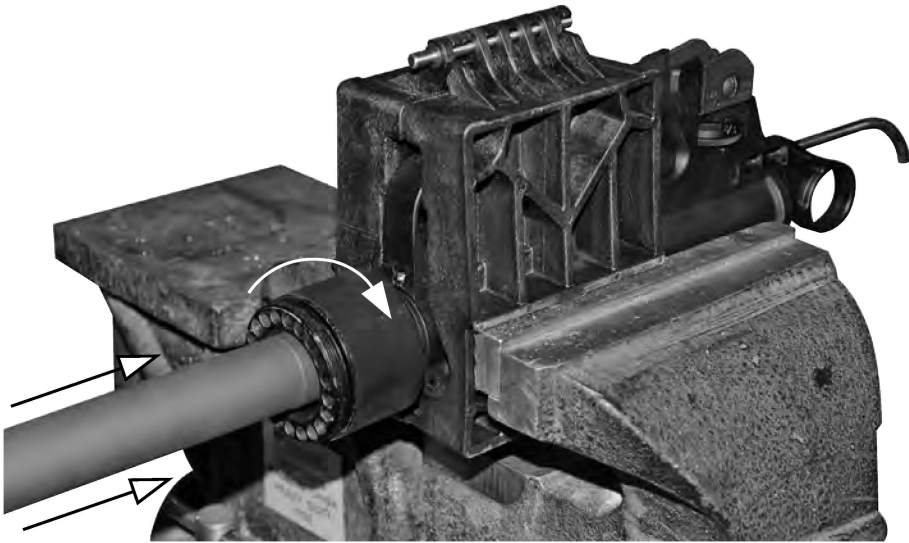
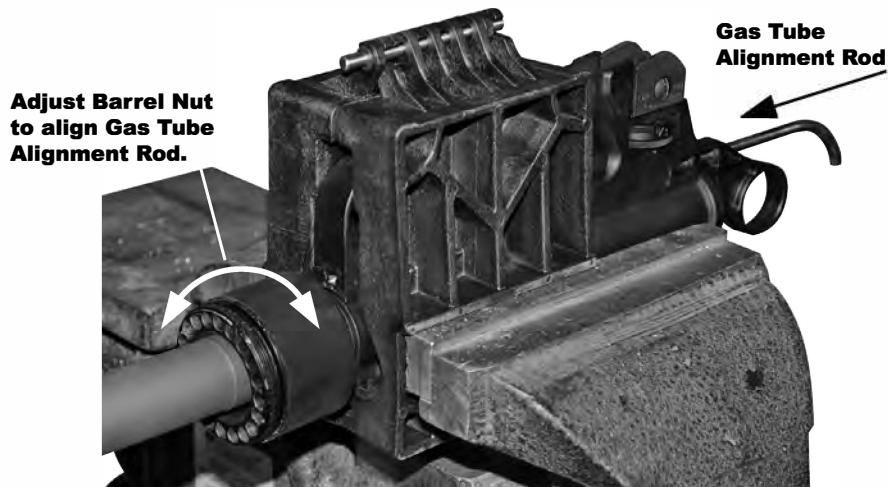


Installing a Barrel:

3. Thread the barrel nut on the receiver while holding the barrel in place.



4. Once you have applied the proper barrel nut torque, use the gas tube alignment rod to check for proper barrel nut alignment. Make necessary adjustments until the gas tube alignment rod passes through the receiver and into the barrel nut freely.



Wheeler ***Engineering*** ***DELTA SERIES***

Product #: 156444
Instructions #:
Revision A

AR-15 Upper Vise Block Instructions



IMPORTANT: This Upper Vise Block is only to be used with right or left hand Mil Spec A2 upper receivers with carry handles or flattop style receivers. Using any other style upper could cause damage to the Upper Vise Block.



STOP!

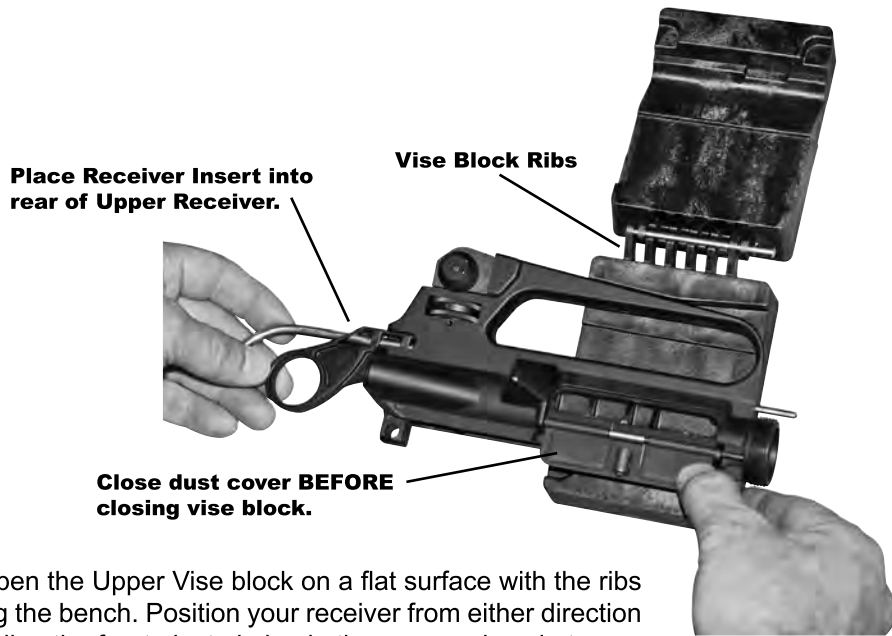
If you have a problem with this product, **DON'T RETURN IT TO THE STORE WHERE YOU PURCHASED IT.** Contact customer service at...

ATTENTION CUSTOMERS

Battenfeld constantly seeks to improve our products. As a result of these efforts, your package may include components that vary slightly in appearance from product photos on packaging or instructions.

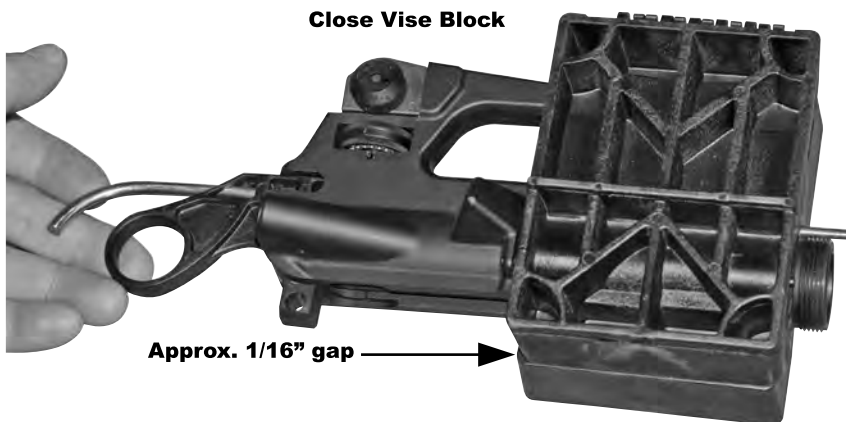
Usage Instructions:

1. Place the receiver insert into the rear of the upper receiver; if your receiver is equipped with a dust cover door, the receiver insert is designed to lock in place when the dust door is closed. If your receiver is not equipped with a dust cover, the receiver insert will not be secure until clamping pressure has been applied.



2. Open the Upper Vise block on a flat surface with the ribs facing the bench. Position your receiver from either direction and align the front pivot pin lug in the recessed pocket.

3. Close the Upper Vise Block and inspect for proper positioning. There should be a gap of approximately 1/16" opposite of the hinge. **A gap in excess of 1/4" may suggest the upper receiver is not Mil Spec and clamping in a vise may damage the Upper Vise Block.** The Wheeler Engineering Delta Series Upper/Pic Rail Vise Block (#156888) will work for these uppers.



Usage Instructions:

4. The Upper Vise Block is designed to rest on top of the vise jaws using the two ribs along the outside surfaces.



5. Once the Upper Vise Block has been securely clamped into a bench top vise, your upper receiver is ready for all your maintenance needs.

Installing a Barrel:

1. After Steps 1-5 of the Usage Instructions have been completed you are ready to install a barrel on your receiver.

NOTE: Inspect and clean the threads of both the receiver and the barrel nut prior to assembly. Apply a quality anti-seize compound to the receiver threads. This will enable proper torque to be achieved as well as help prevent thread seizing.

2. Pay careful attention to the position of the Upper Vise Block while assembling the barrel. If may be necessary to apply additional clamping force to maintain position.