

6000 Joker 4 Set 1 Set of ratcheting combination wrenches, 4 pieces

6000 Joker Ratcheting combination wrenches



EAN:	4013288164407	Size:	305x95x55 mm
Part number:	05073290001	Weight:	896 g
Article number:	6000 Joker 4 Set 1	Country of origin:	CZ
		Customs tariff number:	82041100

- Practical holding function thanks to the metal plate in the jaw
- Limit stop prevents any slipping
- The double-hex geometry reduces the risk of slipping
- Return angle of only 30°
- With Take it easy tool finder: colour coding by size

High quality combination ratchet wrench set by Wera: everything that a wrench has to be able to do. And a whole lot more. Faster, better, stylish. Yes, a real Joker. The new generation of combination ratchet wrenches. 4-piece set in a robust pouch. Suitable for hexagon bolt heads or nuts. Comes with a holding function, thanks to the metal plate in the jaw, which reduces the risk of dropping nuts and bolts. The replaceable metal plate in the jaw secures nuts and bolts with its extra hard teeth and limits the danger of slipping. The integrated limit stop prevents any slipping down around the bolt head and allows higher torque to be applied. The double-hex geometry makes for a positive connection with nuts or bolts and reduces the risk of slipping. A return angle of only 30° at the open end prevents any time consuming flipping of the wrench during fastening jobs. The ratchet mechanism at the ring end, with an exceptional, fine-tooth mechanism – 80 teeth in all – enables flexibility even in very confined working spaces. The specially forged geometry provides for high torque transfer and strength. Manufactured out of high performance chrome molybdenum steel with a nickel-chrome coating for high corrosion protection. "Take it easy" Tool Finder with colour coding according to sizes




6000 Joker 4 Set 1 Set of ratcheting combination wrenches, 4 pieces



6000 Joker Ratcheting combination wrenches

Set contents:

	6000 Joker	
	05073270001	1 x 10 x 159 mm
	05073273001	1 x 13 x 177 mm
	05073277001	1 x 17 x 224 mm
	05073279001	1 x 19 x 246 mm

Joker open-ended wrench



The ratcheting feature at the ring end boasts an exceptional, fine tooth mechanism – 80 teeth in all – which provides greater flexibility, even in very confined working spaces.



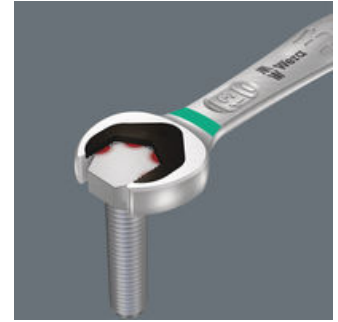
When we began to think about open-ended wrenches, we asked ourselves: why does the wrench always have to be flipped over; why does it have an offset design; why does it slip off injuring fingers? The new design of the mouth resulted in a real "Joker" that works even when all other trumps have been played.

Holding function



The Joker's holding function means that nuts and bolts can be held in the jaw and easily positioned where they are needed. Fastening on to the thread can then be done quickly and safely, thanks to the innovative special stop-plate which holds the fastener. No more time-wasting searches for dropped nuts and bolts! After applying and positioning the nut or bolt, fastening can begin immediately – no additional tools required.

Integrated limit-stop



Constant re-positioning of the wrench? Difficulty holding fasteners in confined spaces? Easing off to avoid any risks of injury or fastener damage? That was yesterday. Today, the Joker prevents slipping off of the fastener head with its integrated limit-stop – no longer is the thumb needed to act as a depth stop. This makes applications much easier and allows significantly more force to be applied during fastening jobs.

6000 Joker 4 Set 1 Set of ratcheting combination wrenches, 4 pieces



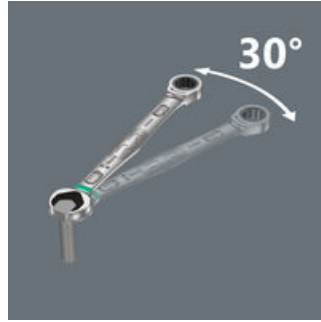
6000 Joker Ratcheting combination wrenches

Double-hex geometry



The Joker's clever double-hex geometry delivers a very positive connection with nuts or bolts – it's a perfect fit. And the exchangeable, hardened metal gripping plate in the Joker's mouth literally bites itself into the bolt, with its extremely hard tips. Both features combine to prevent slipping, even at higher torque.

Small return angle



Instead of 60°, the Joker only has a 30° return angle thanks to its unique double-hex design. Along with the Joker's straight neck, this means that flipping the wrench has become a thing of the past. With the Joker, you can now loosen and tighten nuts and bolts, in situations where conventional tools fail. Particularly in confined spaces, where conventional open-jawed wrenches cannot be used. The combination of limit stop and small return angle enables effective work, even on screw pipe connections.

Fine tooth mechanism



The ratcheting feature at the ring end boasts an exceptional, fine tooth mechanism – 80 teeth in all – which provides greater flexibility, even in very confined workspaces.

“Take it easy” tool finder



Take it easy tool finder system - with profile and size colour-coding for quick and easy tool selection. Colour-coded system for hexagon drive screws (L-Keys, Zyklop bit sockets), external hex drive screws and nuts (Joker wrenches, Zyklop sockets and Zyklop bit sockets with holding function), and TORX® drive screws (L-Keys, Zyklop bit sockets).

Properties of the adhesive



Basis material	Rubber block polymer
Temperature range	-30 °C – +60 °C
Impact strength	20 N/cm
Softening point	≥60 °C
Static shear adhesion	≥ 7 Tage ≥ 7 days ≥ 7 días ≥ 7 jours
Adhesive behaviour	excellent
Application method	Press on
Application	Usual application purposes except PVC
Special features	Good for polyolefines

Recommendations and warnings for adhesive tapes

11990179 - 00000177 - 03

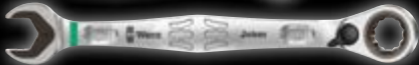
Adheres to the following materials:

Anodised aluminium
Glass
Painted walls
Plywood
Polyester
Polyethylene
Polypropylene
Stainless steel
Vinyl
Formica
Cardboard
Polyacrylics
Fabric

++
++
++
++
++
++
++
++
+
++
+
++
+

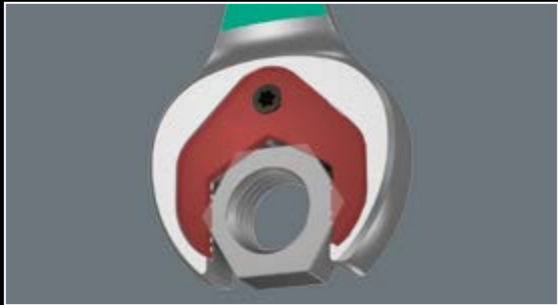


Wera
Joker



Damit Sie dieses „Mehr“ aus ihm herausholen, hier einige Anwendungstipps und Anwendungsvorteile.

has to do... and much more. **To ensure that you get “much more” out of it, here are some tips on applications and details of corresponding benefits.**





HOLDING FUNCTION

1. Practical holding function

The innovative metal stop-plate in the jaw means that your Joker can hold the fastener, making assembly so much easier. Nuts and bolts no longer get lost. To enable this, hold the Joker with the stop-plate facing downwards. After positioning in the double-hex geometry, the nut or bolt lies against the plate and can immediately be fastened. The stop-plate's holding function enables the fastener to be moved into position ready for tightening in a radial and axial direction. It is now possible to simply fasten it onto the thread. There is no need for any time consuming use and changing of application tools such as snipe-nosed pliers.





**LIMIT
STOP**

2. Integrated limit stop

The integrated limit stop makes use of the open jaw a cinch. No longer is the thumb needed to act as a depth stop to prevent the tool slipping off the fastener. To enable this, position the Joker on the bolt head or nut with the stopping plate facing upwards in such a way that it lies against the bolt or nut. The thumb is not then needed to steady the wrench on the fastener faces.





ANTI-SLIP

3. Safe screwdriving even at high torque

Increase safety and effectiveness when working even at high torque. The Joker reduces the very high risk of injury should there be any slipping off the head of the bolt. Apply the Joker in such situations with the toothed gripping plate facing downwards. The double-hex geometry of the jaw of the wrench generates a form-fit connection to the bolt. The toothed extra-hard plate in the jaw literally bites into the bolt. Both features prevent any unpleasant slipping from the head of the bolt and rounding.

30°





**SMALL
RETURN ANGLE**

4. Small travel angle of only 30°

Your Joker, in confined spaces, does not have to be removed and then turned over on the fastener

Its clever time-saving design and its small travel angle of only 30° allows repositioning on the fastener head without the annoying need to turn the wrench over to complete the job. This astonishing effect is derived from the unique combination of double-hex geometry and the straight head at the jaw end (i.e. the head is not angled).

The Joker is particularly suitable for use on components when a conventional open-jawed wrench cannot be used because the space available is too confined. Simply apply the Joker with the stopping plate facing upwards, fasten, release slightly and then directly relocate at the intermediate position.

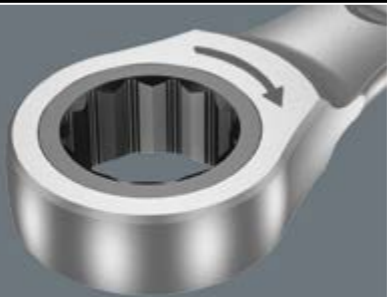
80

Zähne

Teeth

Dientes

Dents





**FINE
TOOTH**

Flexibility thanks to the ratchet mechanism

Take advantage of the ultra-fine tothing at the ring end (80 teeth, low pivot angle of under 5°) for more flexibility even in confined spaces. The robust design means that the product has a very long service life – even when used at high torque.

Use of high quality materials:

High performance chrome molyb-denum steel. Only the best is good enough. Nickel-chrome coating for high corrosion protection.

Greatly improved productivity and safety from a unique product de-sign.

Safety note: The product may only be used for the jobs as described. Please observe corresponding cautionary notices on our web pages.





**TAKE IT EASY
TOOL FINDER**

“Take it Easy“ – The Wera Tool Finder

Learn more about wrenches and sets on our website.