

## TechFloor

### The Easy to Install Instructions

#### WHAT TO KNOW BEFORE YOU START

**TechFloor™ interlocks using a loop and tab system**

**Tile components connect by aligning tabs with loops and snapping into place**

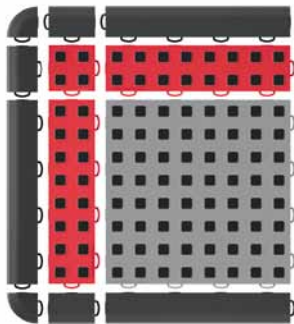
**Pieces can be snapped together by applying pressure straight down**

**For ease of installation, use a small rubber mallet**

#### PREP YOUR FLOOR

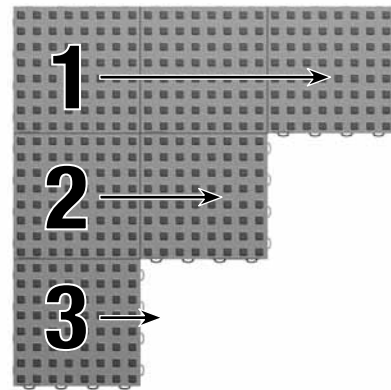
1. Accurately measure your flooring area
2. Determine number of tiles, borders and corners needed
3. Consider patterns and borders when calculating needed parts
4. Ensure floor is clean and dry, without debris

#### TRIM TILE & BORDER TILE INSTALLATION



Trim and Border Tiles also use the loops/tabs system, but the configuration of the loops/tabs is varied for any design consideration. When choosing trim and border tiles, remember to consider size and color, as well as how the loops/tabs will match up to existing tiles.

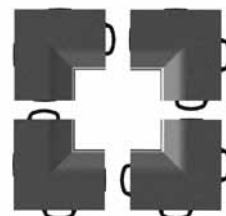
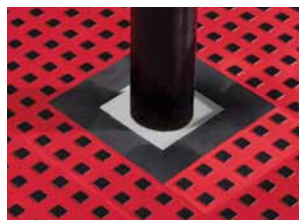
#### TILE INSTALLATION



Tiles should be arranged so that tabs are on the left and top, while loops are on the right and bottom. Install the tiles by following the pattern on the diagram. For the best results, work from left to right completing an entire row at a time.

#### INSIDE BORDER CORNER INSTALLATION

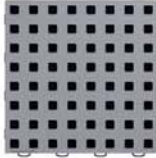

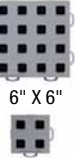




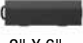




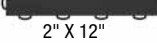

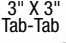
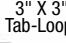


Inside Border Corners provide a finished edge when tiling around an obstacle such as a support post. Available in sets of four parts, each with a unique loops/tabs configuration. If your design contains more than a simple rectangle obstacle, you may require more than one set to complete design.



## TechFloor

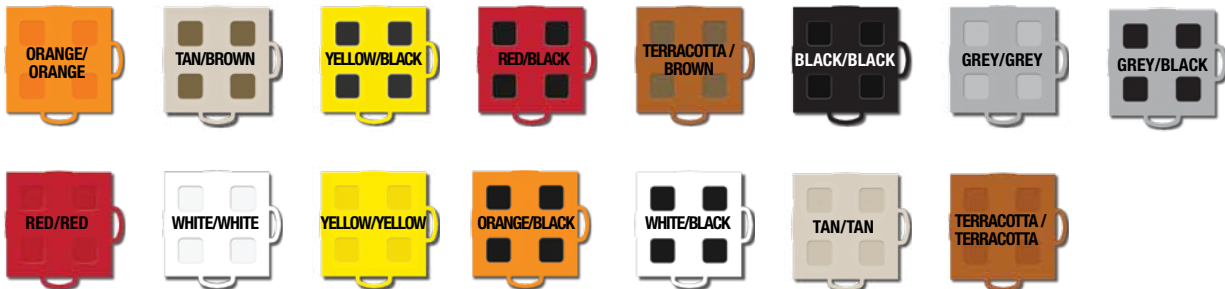
The Easy to Install Floor Tile

**TILE SYSTEM COMPONENTS  
SOLD SEPARATELY**

Floor Tiles	Trim Tiles	Borders	Border Corners
 <p>12" X 12"</p>  <p>3" X 12" Left Loop</p>  <p>6" X 6"</p>  <p>3" X 3"</p>  <p>3" X 12" Right Loop</p>	 <p>¾" X 12"</p>  <p>1½" X 12"</p>	 <p>2" X 6"</p>  <p>2" X 3"</p>  <p>2" X 6"</p>  <p>2" X 3"</p>  <p>2" X 12"</p>  <p>2" X 12"</p>	 <p>2" X 2" Border Corner</p>  <p>3" X 3" Tab-Tab</p>  <p>3" X 3" Tab-Loop</p>  <p>3" X 3" Loop-Tab</p>  <p>3" X 3" Loop-Loop</p>



### AVAILABLE COLORS



### CARE INSTRUCTIONS

- Clean TechFloor™ with only mild soap and water
- Do not use harsh chemicals or abrasive materials to clean flooring (avoid solvents)
- Do not leave spills on floor for an extended period of time
- We do not recommend the use of floor polish or waxes, may cause floor to become a slipping hazard