

Brite-Nite[™] W600 LED Spotlight[™]



User's Manual

We are constantly improving our products so specifications are subject to change without notice.

Brite-Nite™ W600 LED Spotlight™ by Wagan Tech®

Thank you for purchasing the Brite-Nite™ W600 LED Spotlight™ by Wagan Tech®. With normal care and proper treatment, it will provide years of reliable service. Please read all operating instructions carefully before use.

FEATURES

- Bright LED spotlight
- 3 brightness levels
- Waterproof
- Adjustable stand

SPECIFICATIONS

Lumens	High— 600 lm Medium— 200 lm Low— 50 lm
Run Time	High— 2 hr Medium— 6 hr Low— 24 hr
Battery	3 AA (not included)
Impact Resistance	3 ft (1 meter)
Beam Distance	810 ft (247 m)
Submersible	1 m
IP Rating	IP67 Waterproof

CAUTION

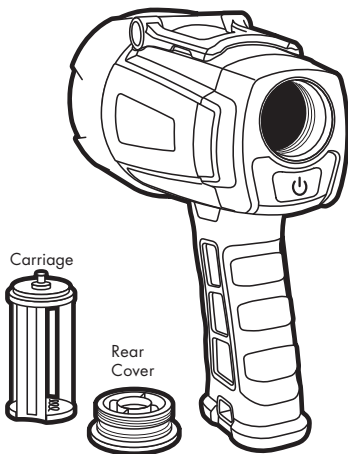
- Never point the light beam directly into the eyes of another person or animal.
- This product is not a toy: Do not allow children to play with this item.
- Do not store in direct sunlight or near a heat source.
- Use for intended purposes only.
- Do not submerge in water.
- Lens gets hot after prolonged use. Avoid heat sensitive surfaces.

OPERATION

1. Locate power switch
2. Click 1X for high
Click 2X for medium
Click 3X for low
Click 4X to turn off

REPLACING THE BATTERIES

1. Turn the light off
2. Unscrew the rear cover counter-clockwise.
3. Remove the battery carriage.
4. Install three Type-AA alkaline batteries. Replace carriage.
5. Replace the rear cover tightly to ensure seal.



When it comes to quality work lights,
Wagan is the brand you can depend on.