

Torin® **BIG RED** JACKS

Operator's Manual **Parts Washer**

Model:

3.5 Gallons.....T10035



WARNING : Before using this appliance, read this Operator's Manual and follow all its Safety Rules and Operating Instructions.

- Safety
- Operation
- Maintenance

SAFETY INSTRUCTIONS

WARNING !

When using tool, basic safety precautions should always be followed to reduce the risk of personal injury and damage to equipment.

READ ALL INSTRUCTIONS BEFORE USING.

Keep work area clean. Cluttered areas invite injuries. Observe work area conditions. Do not use machines or power tools in damp or wet locations. Don't expose to rain. Keep work area well lighted. Do not use electrically powered tools in the presence of flammable gases or liquids. Keep children away. Children must never be allowed in the work area. Do not let them handle machines, tools, or extension cords. Store idle equipment. When not in use, tools must be stored in a dry location to inhibit rust. Always lock up tools and keep out of reach of children. Use eye and ear protection. Always wear ANSI approved impact safety goggles. Wear a full face shield if you are producing metal filings or wood chips. Wear an ANSI approved dust mask or respirator when working around metal, wood, and chemical dusts and mists. Avoid unintentional starting. Be sure the switch is in the Off position when not in use and before plugging in. Stay alert. Watch what you are doing, use common sense. Check for damaged parts. Before using any tool, any part that appears damaged should be carefully checked to determine that it will operate properly and perform its intended function. Check for alignment and binding of moving parts; any broken parts or mounting fixtures; and any other condition that may affect proper operation. Any part that is damaged should be properly repaired or replaced by a qualified technician. Do not use the tool if any switch does not turn On and Off properly. Guard against electric shock. Prevent body contact with grounded surfaces such as pipes, radiators, ranges, and refrigerator enclosures. Replacement parts and accessories. When servicing, use only identical replacement parts. Use of any other parts will void the warranty. Only use accessories intended for use with this tool. Approved accessories are available from Torin Jacks, Inc.

WARRANTY

Torin Jacks, Inc. warrants its hydraulic jacks and tools for a period of one year against manufacturing and materials defects. Torin Jacks, Inc. will issue a one-for-one credit for all merchandise deemed defective due to manufacturing and or material defects. Torin Jacks, Inc. will not issue credit for customer abuse or misuse. Merchandise shall be deemed defective by letter from Torin Jacks, Inc. after inspection by Torin Jacks, Inc. or one of its representatives. Defective products shall be returned freight prepaid to Torin Jacks, Inc. by written authorization only. Some products may be authorized for field destruction, with return of handle assembly and saddle only.

SPECIFICATIONS

Save this manual You will need the manual for the safety warnings and precautions, assembly instructions, operating and maintenance procedures, parts list and diagram. Keep your invoice with this manual. Write the invoice number on the inside of the front cover. Keep the manual and invoice in a safe and dry place for future reference.

Pump:..... 1/2 GPM Output
Motor:..... 110 V.,Single Phase

Unpacking

When unpacking, check to make sure that all parts are included (see the Parts List and Parts Diagram on pages 3) If any parts are missing or broken, please call Torin Jacks, Inc. at the number on the cover of this manual as soon as possible.

Grounding and Voltage Warning

Common household current is 110-120 volts. As long as your tool is rated from 110-120V, there will not be any complications using this tool with household receptacles. Never try to plug a 110-120V tool into a 220-240V circuit (or visa-versa) or serious complications and possible injury to the operator may occur. The plugs have different shapes to prevent this.

Do not modify your electrical plug in any way. If you have any doubt, call a qualified electrician.

Extension Cords

If you are using this product outdoors, use an extension cord rated for outdoor use (signified by on the jacket).

The extension cord must have a minimum wire size depending on the amperage of the tool and the length of the extension cord. The proper extension cord is determined by its AWG (American Wire Gauge) rating. The smaller the gauge, the greater the cable's capacity. The amount of cords used does not matter; total length determines the minimum AWG rating. Every cord must meet the AWG rating. Use the chart below to determine what AWG rating is required for your situation. Cord length is rated in feet.

AWG RATING CHART

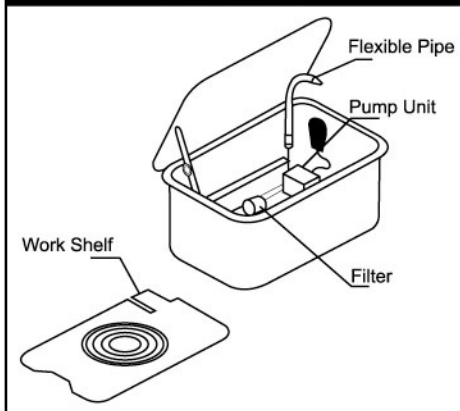
Cord Length	25'	50'	75'	100'	125'	150'	175'	200'
AMPS	AWG	AWG	AWG	AWG	AWG	AWG	AWG	AWG
0-10.0	18	18	16	16	14	14	12	12
10.1-13.0	16	16	14	14	14	12	12	12
13.1-15.0	14	14	12	12	12	12	12	----
15.1-18.0	14	12	12	12	12	12	----	----

ASSEMBLY

Refer to picture 1 and detailed view of parts when assembling.

1. The handle for the lid (#4) needs to be assembled. Remove nuts and washers from handle. Place handle in place on front portion of lid and tighten screws with washers and nuts.
2. Attach the black plastic filter to the pump (#28). It fits over the wide opening on the side of the pump.
3. Attach the flexible pipe (#27) to the pump. It screws on the small open fitting on the top of the pump.

PICTURE 1



OPERATION

Do not use any highly volatile, flammable or combustible solvents. Caution: Parts being cleaned may leave flammable or combustible residue, or may contain flammable or combustible fluids that remain in the parts washer. Check for solvent fumes to verify non-flammability and non-toxicity. Use in a well ventilated area. **NO SMOKING!!** Never use highly volatile flammable solvents such as: gasoline, toluene, or diesel fuel. Non water based solvents may also contain fumes that are hazardous to your health, and must not be used at any time. Keep away from ignition sources. Immerse the pump in liquid while operating. Fluid should be replaced and parts washer cleaned on regular basis to avoid hazardous conditions. Avoid solvent contact with skin and eyes. Chlorinated solvents, such as 1-1-1 Tri-chloroethane and Methylene Chloride (also known as Methyl Chloride) can chemically react with aluminum and may explode. Many tools and equipment contain aluminum. If you are in any doubt whatsoever, contact the solvent manufacturer.

Note: The fusible link must be intact at all times.

- Parts can soak in the body, but should not be left overnight. Use the work shelf when using the flexible pipe and while cleaning small parts.
- Do not run the pump when small parts are in the bottom of the tank.
- Never run the pump without the filter being in place.
- Never leave the pump running unattended.

PLEASE READ CAREFULLY !

THE MANUFACTURER AND/OR DISTRIBUTOR HAS PROVIDED THE PARTS DIAGRAM IN THIS MANUAL AS A REFERENCE TOOL ONLY. NEITHER THE MANUFACTURER NOR DISTRIBUTOR MAKES ANY REPRESENTATION OR WARRANTY OF ANY KIND TO THE BUYER THAT HE OR SHE IS QUALIFIED TO MAKE ANY REPAIRS TO THE PRODUCT OR THAT HE OR SHE IS QUALIFIED TO REPLACE ANY PARTS OF THE PRODUCT. IN FACT, THE MANUFACTURER AND/OR DISTRIBUTOR EXPRESSLY STATES THAT ALL REPAIRS AND PARTS REPLACEMENTS SHOULD BE UNDERTAKEN BY CERTIFIED AND LICENSED TECHNICIANS AND NOT BY THE BUYER. THE BUYER ASSUMES ALL RISK AND LIABILITY ARISING OUT OF HIS OR HER REPAIRS TO THE ORIGINAL PRODUCT OR REPLACEMENT PARTS THERETO, OR ARISING OUT OF HIS OR HER INSTALLATION OF REPLACEMENT PARTS THERETO.

NO SMOKING !

Solvent fumes may be toxic. Use in a well ventilated area. Never use highly volatile flammable solvents such as gasoline, toluene, diesel fuel, etc. Immerse the pump in liquid while operating. Close cover while agitating and do not agitate excessively. Avoid solvent contact with skin and eyes. Always wear ANSI approved safety goggles and proper apparel. The fusible link must be intact at all times.

WARNING !

Do not use any highly volatile, flammable or combustible solvents.

1. Parts being cleaned may leave flammable or combustible residue, or may contain flammable or combustible fluids that remain in the parts washer.
2. Check for solvent fumes to verify non-flammability and non-toxicity.
3. Use only in a well-ventilated area.
4. Never use highly volatile or flammable solvents such as gasoline, toluene, or diesel fuel.
5. Keep away from any ignition sources

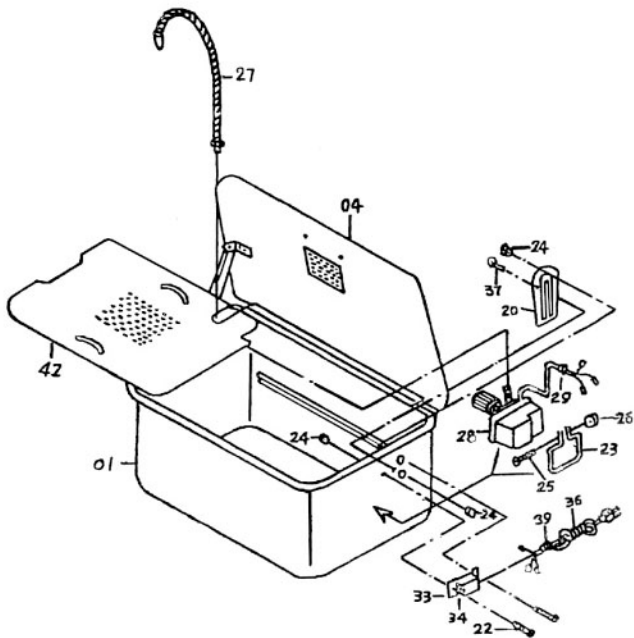
Risk of Explosion !

This equipment has internal arcing or sparking parts which should not be exposed to flammable vapor. This equipment should be located at least 460 mm (18 inches) above the floor.

WARNING !

1. Always wear ANSI approved safety goggles and protective clothing during use.
2. Read and adhere to all warnings and safety precautions in the owner's manual for this product BEFORE use.
3. Immerse the pump in liquid while operating.
4. Fluid should be replaced and parts washer cleaned on a regular basis to avoid hazardous conditions.
5. Avoid solvent contact with skin and eyes.
6. The fusible link must be intact at all times.
7. The use of mineral spirits or flammable solvents will cause premature pump wear; these fluids are NEVER to be used.
8. Non water bases solvents may also contain fumes that are hazardous to your health, and must not be used at any time.

DETAILED VIEW AND PARTS LIST



Part No	Description	Quantity	Part No.	Description	Quantity
1	Body	1	27	Flexible Pipe	1
4	Cover	1	28	Pump	1
20	Cord Shell	1	29	Feed Thru	2
22	Pan Screw	2	33	Switch Box	1
23	Clamp	1	34	Switch	1
24	Nut	3	36	Power Cord	1
25	Pan Screw	1	37	Pan Screw	1
26	Nut	1	42	Work Shelf	1