

SUNEX HD

GUARANTEED TO PERFORM

SX5210

1/4" DRIVE 1.0HP SUPER DUTY DIE GRINDER

Product Safety Information



Save these instructions

CE

⚠ WARNING	
	Read this manual before operating tool.
	Always wear eye protection when operating or performing maintenance on this tool.
	Always wear hearing protection when operating this tool.



⚠ WARNING

To reduce the risk of injury, anyone using, repairing, maintaining, or changing accessories on this tool must read and understand these instructions before performing any of these tasks.

- ▲ Always inspect, operate, and maintain this tool in accordance with American National Standards Institute Safety Code of Portable Air Tools (ANSI B186.1) and any other applicable safety codes and regulations.
 - ▲ These tools are rated at 90 psi / 6.2 bar max air pressure for safety, top performance, and maximum durability of parts; do not exceed this pressure while the tool is running.
 - ▲ Always shut off air supply, drain hose of air pressure and disconnect tool from air supply when not in use, before changing accessories, or when making repairs.
 - ▲ Never direct air at yourself or anyone else.
 - ▲ Always wear impact-resistant eye and face protection when operating or performing maintenance on this tool.
 - ▲ High sound levels can cause permanent hearing loss. Always use hearing protection when using this tool as recommended by your employer or OSHA regulation.
 - ▲ Do not wear jewelry or loose fitting clothes.
 - ▲ Do not use quick disconnect couplings at tool. See operating instructions for proper set up.
 - ▲ Whipping hoses can cause serious injury. Always carefully check for damaged or loose hoses and fittings before operating this tool.
 - ▲ Avoid direct contact with accessories during and after use. Gloves should be worn to reduce the risk of cuts or burns.
 - ▲ Never run the tool off of the work. The tool may run too fast and cause the accessory to be thrown off of the tool.
 - ▲ Slipping, tripping, and/or falling while operating air tools can be a major cause of serious injury or death. Be aware of your surroundings and any excess hose left on the walking or working surface.
 - ▲ Pneumatic tools can cause vibration in use. Vibration, repetitive motions or uncomfortable positions over extended periods of time may be harmful to your hands and arms. Discontinue use of tool if discomfort, tingling feeling or pain occurs. Consult a physician before resuming use if any of these symptoms occur.
 - ▲ Do not stretch or overreach while using this tool.
 - ▲ Never mount a grinding wheel, cut off wheel, or router cutter on a Die Grinder or Tire Buffer. A grinding wheel or other accessory that burst can cause very serious injury or death and should only be used on a tool with factory installed guards.
 - ▲ Grinding accessory's rated speed must be equal to or greater than the speed of the Die Grinder.
 - ▲ Use only tire buffing accessories and mounted wheels with adequate speed rating and correct shaft diameter.
 - ▲ Do not use wire brushes, drill bits, or any other accessory other than mounted wheels, burrs and tire buffing accessories.
 - ▲ If tool appears to malfunction, remove from service immediately and arrange for repair.
 - ▲ Never use tool if there is any chance of coming into contact with line electricity.
 - ▲ Use only Sunex certified spare parts for any repair made to tool. Repairs should only be performed by properly trained persons.
 - ▲ Do not lock, tape or wire the tool valve in the "on/off" position.
 - ▲ Do not allow the exhaust air to come in contact with hot surfaces or flames.
 - ▲ Avoid inhaling dust or handling debris from the work process, which can be harmful to your health. Use dust extraction and wear respiratory protective equipment when working with materials which produce airborne particles.
 - ▲ Some dust created by power sanding, sawing, grinding, drilling and other construction activities contains chemicals known to the State of California to cause cancer and birth defects or other reproductive harm. Some examples of these chemicals are:
 - Lead from lead based paints
 - Crystalline silica bricks and cement and other masonry products
 - Arsenic and chromium from chemically-treated lumber
- Your risk from these exposures varies, depending on how often you do this type of work. To reduce your exposure to these chemicals: work in a well ventilated area, and work with approved safety equipment, such as those dust masks that are specially designed to filter out microscopic particles.

Additional Safety Warnings

- ▲ Do not modify this tool or its accessories.
- ▲ Daily measure the air tool speed with tachometer to make sure it is not greater than the RPM stated on the grinding accessory.
- ▲ This tool is not recommended for use in explosive atmospheres or underwater use.
- ▲ Operators and maintenance personnel must be physically able to handle the bulk, weight, and power of this tool.
- ▲ This tool is for professional use only.

SAFETY INSTRUCTIONS - DO NOT DISCARD - GIVE TO USER

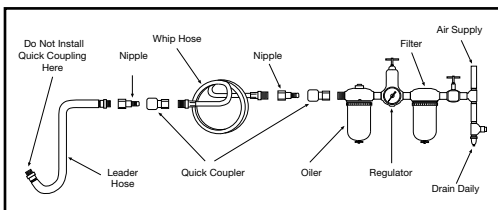
Instruction Manual

This product is equipped with 1/4" collet chuck for use with various burrs for polishing and grinding. No other use is permitted.

Air Supply Requirements

Tool is designed to operate at 90 psi (6.2 bar) at free speed measured at the tool, of clean, dry air. Operating this tool at higher pressures will drastically reduce the tool life and could cause injury.

The air inlet thread on this tool is a standard 1/4" NPT. Line pressure should be increased for any unusually long air hose run (over 25 feet). Minimum hose diameter should be 3/8" I.D. and all fittings should have the same inside diameter. See diagram below for proper air supply setup.



Lubrication

Lubricate the tool each day after use with quality SAE #10 air motor oil. Add the oil to the air inlet or into the hose at the nearest connection to the air supply, then run the tool until all excess oil is expelled from the exhaust. Total oil quantity needed for this procedure is approximately 1 ounce.

EC DECLARATION OF CONFORMITY

We, Sunex International Inc., declare under our sole responsibility that the product to which this declaration relates, is in conformity with the requirements of the New Machinery Directive of 2006 on the approximation of the laws of the Member States relating to machinery. (EN792, 2006/42E)

Harmonized Standards Applied:

EN 792-6

National Standards Applied:

EN 792-9, EN 28662-13, EN ISO15744 : 2008

Machine Name:

SX5210 1.0 HP Super Duty Die Grinder

Serial No.:

MS0121701 or higher

Technical Data:

1/4" Collet Std.

Air Pressure: 90 psi (6.2 bar)

Noise and Vibration Declaration

Tool produces a noise level (no load) of 87 dBA sound pressure with 98 dBA uncertainty per Pneurop Standard EN ISO15744:2008. Vibration level is <2.5 m/s² tested per EN 28662-13.

Signature of Issuer:

• ! . .

Name and Position of Issuer: John Stratton, Product Manager
Sunex International Inc.

Date of Issue: March 9, 2012.

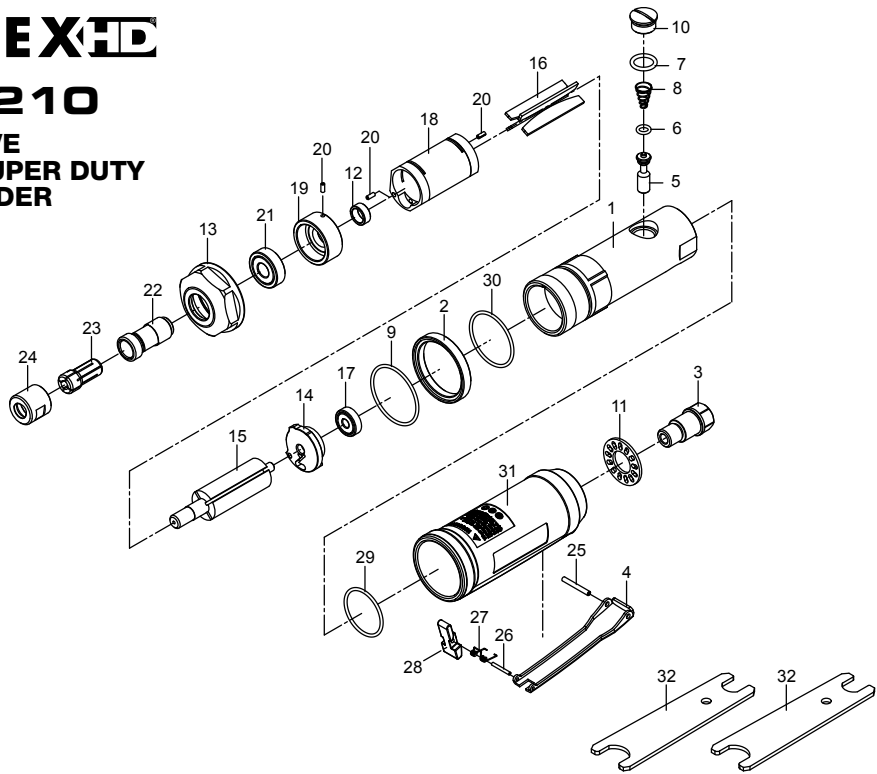
Specifications

Collet/Spindle Size	1/4"
Free Speed	20,000 RPM
Motor Size	1.0 HP
Length	7.4" (188mm)
Weight	1.7 Lbs. (.77 kg)
Avg. Air. Cons.	5.3 cfm (150 l/min)
Air Inlet	1/4" NPT
Min. Hose Size	3/8" I.D. (10mm)

SUNEX

SX5210

1/4" DRIVE
1.0 HP SUPER DUTY
DIE GRINDER



REF. NO.	PART NO.	DESCRIPTION	QTY.
1	RS521001	Motor Housing	1
2	RS521002	Decoration Ring	1
3	RS521003	Air Inlet	1
4	RS521004	Throttle Lever (Incl. #26, 27, 28)	1
5	RS521005	Valve Shaft	1
6	RS233A07	O-Ring	1
7	RS233A09	O-Ring	1
8	RS521008	Spring	1
9	RS521009	O-Ring	1
10	RS521010	Plug	1
11	RS521011	Diffuser	1
12	RS521012	Rotor Bushing	1
13	RS521013	Clamp Nut	1
14	RS521014	Rear End Plate	1
15	RS521015	Rotor	1
16	RS521016	Rotor Blade (Pack of 4)	1

17	RS21114	Ball Bearing	1
18	RS521018	Cylinder	1
19	RS521019	Front End Plate	1
20	RS31717	Spring Pin	3
21	RS10920	Ball Bearing	1
22	RS521022	Collet Holder	1
23	RS521023	1/4" Collet	1
24	RS521024	Collet Nut	1
25	RS233A02	Spring Pin	1
26		Spring Pin (Incl. w/#4)	1
27		Spring (Incl. w/#4)	1
28		Safety Bar (Incl. w/#4)	1
29	RS521029	O-Ring	1
30	RS521030	O-Ring	1
31	RS521031	Grip	1
32	RS233A28	Spanner	2

Discover other air grinders on our website.