



! WARNING

Some dust created by power sanding, sawing, grinding, drilling, and other construction activities contains chemicals known to cause cancer, birth defects or other reproductive harm. Some examples of these chemicals are:

- lead from lead-based paints,
- crystalline silica from bricks and cement and other masonry products
- arsenic and chromium from chemically-treated lumber.

Your risk from these exposures varies, depending on how often you do this type of work. To reduce your exposure to these chemicals: work in a well ventilated area, and work with approved safety equipment, such as those dust masks that are specially designed to filter out microscopic particles.

! WARNING



ALWAYS READ INSTRUCTIONS BEFORE USING POWER TOOLS



ALWAYS WEAR SAFETY GOGGLES



WEAR HEARING PROTECTION



AVOID PROLONGED EXPOSURE TO VIBRATION

SPECIFICATIONS

Free Speed	2,500 RPM	Rec. Air Pressure	90 psig (6.2bar)
Air Inlet Thread	1/4" NPT	Sound Level	82 dBA
Hose Size	3/8" I.D.	Length	8.5"
Avg. Air Consumption	4 cfm	Shipping Weight	3.3 Lbs.

SX227B
METAL
SHEAR

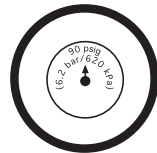
! WARNING

FAILURE TO OBSERVE THESE WARNINGS COULD RESULT IN INJURY



THIS INSTRUCTION MANUAL CONTAINS IMPORTANT SAFETY INFORMATION.

READ THIS INSTRUCTION MANUAL CAREFULLY AND UNDERSTAND ALL INFORMATION BEFORE OPERATING THIS TOOL.



- Always operate, inspect and maintain this tool in accordance with American National Standards Institute Safety Code of Portable Air Tools (ANSI B186.1) and any other applicable safety codes and regulations.

- For safety, top performance and maximum durability of parts, operate this tool at 90 psig 6.2 bar max air pressure with 3/8" diameter air supply hose.



- Always wear impact-resistant eye and face protection when operating or performing maintenance on this tool. Always wear hearing protection when using this tool.



- High sound levels can cause permanent hearing loss. Use hearing protection as recommended by your employer or OSHA regulation.

- Keep the tool in efficient operating condition.

- Operators and maintenance personnel must be physically able to handle the bulk, weight and power of this tool.



- Air under pressure can cause severe injury. Never direct air at yourself or others. Always turn off the air supply, drain hose of air pressure and detach tool from air supply before installing, removing or adjusting any accessory on this tool, or before performing any maintenance on this tool. Failure to do so could result in injury. Whip hoses can cause serious injury. Always check for damaged, frayed or loose hoses and fittings, and replace immediately. Do not use quick detach couplings at tool. See instructions for correct set-up.



- Air powered tools can vibrate in use. Vibration, repetitive motions or uncomfortable positions over extended periods of time may be harmful to your hands and arms. Discontinue use of tool if discomfort, tingling feeling or pain occurs. Seek medical advice before resuming use.



- Place the tool on the work before starting the tool. Do not point or indulge in any horseplay with this tool.



- Slipping, tripping and/or falling while operating air tools can be a major cause of serious injury or death. Be aware of excess hose left on the walking or work surface.

- Keep body working stance balanced and firm. Do not overreach when operating the tool.

- Anticipate and be alert for sudden changes in motion during start up and operation of any power tool.



- Do not carry tool by the hose. Protect the hose from sharp objects and heat.

- Tool shaft may continue to rotate briefly after throttle is released. Avoid direct contact with accessories during and after use. Gloves will reduce the risk of cuts or burns.



- Keep away from rotating end of tool. Do not wear jewelry or loose clothing. Secure long hair. Scalping can occur if hair is not kept away from tool and accessories. Choking can occur if neckwear is not kept away from tool and accessories.

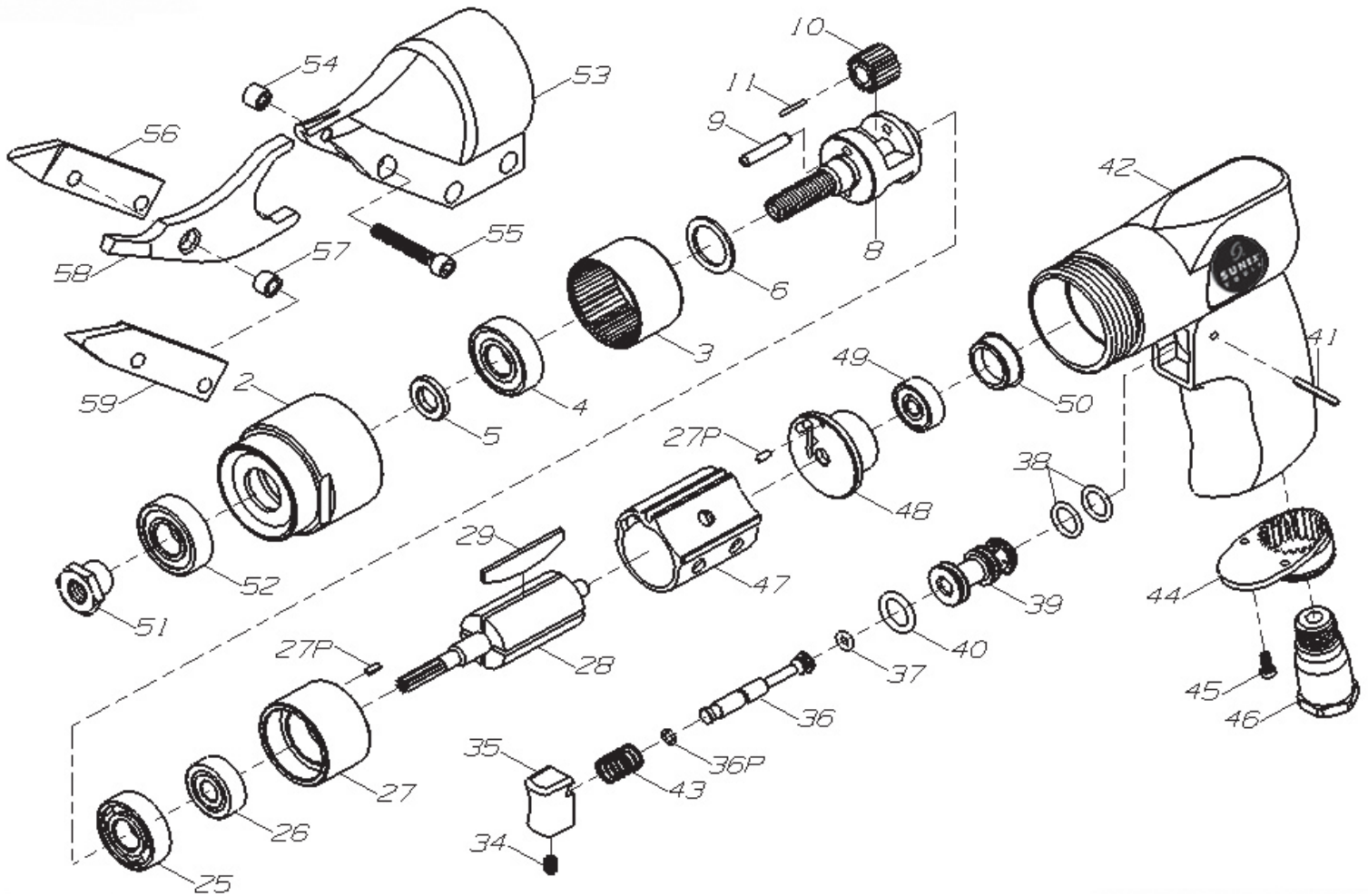
- Do not lubricate tools with flammable or volatile liquids such as kerosene, diesel or jet fuel.

- Do not force tool beyond its rated capacity.

- Do not remove any labels. Replace any damaged labels.

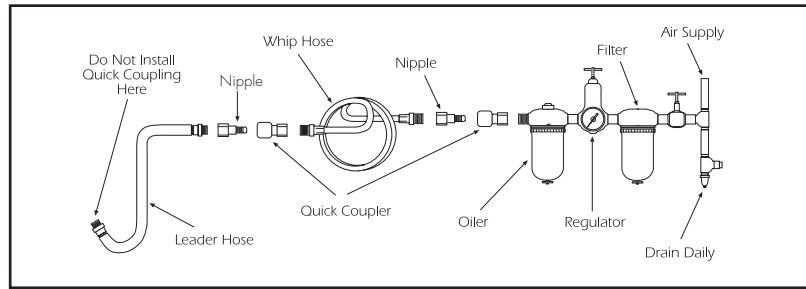
- Use accessories recommended by Sunex Tools.

SX227B PARTS BREAKDOWN & PARTS LIST



Ref#	Part #	Description	Qty.
2	RS227B02	Gear Cover	1
3	RS227B03	Internal Gear	1
4	RS227B25	Ball Bearing	1
5	RS227B05	Spacer	1
6	RS227B06	Fiber Washer	1
8	RS227B08	Gear Plate	1
9	RS227B09	Pin	2
10	RS227B10	Gear	2
11	RS227B11	Gear Needles	22
25	RS227B25	Ball Bearing	1
26	RS30524	Ball Bearing	1
27	RS227B27	Front End Plate	1
27P	RS227B47	Pin	2
28	RS227B28	Rotor	1
29	RS227B29	Rotor Blade	4
34	RS227B34	Set Screw	1
35	RS227B35	Trigger	1
36	RS227B36	Valve	1
36P	RS227B36P	O-Ring	1
37	RS227B37	O-Ring	1
38	RS227B38	O-Ring	2
39	RS227B39	Valve Bushing	1

Ref #	Part #	Description	Qty
40	RS227B40	O-Ring	1
41	RS227B41	Pin	1
42	RS227B42	Motor Housing	1
43	RS227B43	Spring	1
44	RS227B44	Exhaust Deflector	1
45	RS227B45	Screw	2
46	RS227B46	Inlet Bushing	1
47	RS227B30	Cylinder	1
48	RS227B48	Rear End Plate	1
49	RS21114	Ball Bearing	1
50	RS227B50	Bearing Cap	1
51	RS227B12	Hex Nut	1
52	RS227B13	Ball Bearing	1
53	RS227B14	Cutter Housing	1
54	RS227B16	Lock Nut	3
55	RS227B15	Lock Screw	3
56	RS227B17	Left Blade	1
57	RS227B18	Spacer	2
58	RS227B19	Center Blade	1
59	RS227B20	Right Blade	1



Air Supply

Tools of this class operate on a wide range of air pressures. It is recommended that air pressure of these tools measures 90 PSI at the tool while running free. Higher pressure (over 90 psig; 6.2 bar) raises performance beyond the rated capacity of the tool which will shorten the tool's life because of faster wear and could cause injury.

Always use clean, dry air. Dust, corrosive fumes and/or water in the air line will cause damage to the tool. Drain the air tank daily. Clean the air inlet filter screen on at least a weekly schedule. The recommended hookup procedure can be viewed in the above figure.

The air inlet used for connecting air supply, has standard 1/4" NPT. Line pressure should be increased to compensate for unusually long air hoses (over 25 feet). Minimum hose diameter should be 3/8" I.D. and fittings should have the same inside dimensions and be tightly secured.

Lubrication

Lubricate the air motor daily with air tool oil. If no air line oiler is used, run 1/2 oz. of oil through the tool. The oil can be squirted into the tool air inlet or into the hose at the nearest connection to the air supply, then run the tool. Overfilling will cause a reduction in the power of the tool.

Operation

The rotation of the shearing head can be changed by loosening the allen head screw. Then turn cutter housing to desired position and tighten allen head screw securely.

NEVER use this air shear on material with a gauge greater than 18 as this will result in breakage of the center blade.

Cutting with this tool will create sharp edges. Wear gloves to protect hands.

Cutting edges and saw blades can become hot during use. Do not touch.

Never force the tool to cut faster or through heavier gauge material than rated capacity.