



SX113

3/8" DRIVE AIR RATCHET WRENCH



⚠ WARNING



READ THIS MANUAL BEFORE OPERATING TOOL



ALWAYS WEAR EYE PROTECTION WHEN OPERATING OR PERFORMING MAINTENANCE ON THIS TOOL



ALWAYS WEAR HEARING PROTECTION WHEN OPERATING THIS TOOL



AVOID PROLONGED EXPOSURE TO VIBRATION

⚠ WARNING

Some dust created by power sanding, sawing, grinding, drilling, and other construction activities contains chemicals known to cause cancer, birth defects or other reproductive harm. Some examples of these chemicals are:

- lead from lead-based paints,
- crystalline silica from bricks and cement and other masonry products, and
- arsenic and chromium from chemically-treated lumber.

Your risk from these exposures varies, depending on how often you do this type of work. To reduce your exposure to these chemicals: work in a well ventilated area, and work with approved safety equipment, such as those dust masks that are specially designed to filter out microscopic particles.

SPECIFICATIONS

Max. Free Speed	150 RPM
Working Torque	45 ft.lbs.
Air Consumption.....	4 CFM
Air Inlet.....	1/4 NPT
Air Pressure	90 psig
Recommended Hose Size	3/8" I.D.
Length	10.5"
Weight.....	2.71 Lbs.
Sound Level.....	110 dBA

! WARNING

FAILURE TO OBSERVE THESE WARNINGS COULD RESULT IN INJURY

THIS INSTRUCTION MANUAL CONTAINS IMPORTANT SAFETY INFORMATION.

READ THIS INSTRUCTION MANUAL CAREFULLY AND UNDERSTAND ALL INFORMATION BEFORE OPERATING THIS TOOL.



- It is the responsibility of the owner to make sure all personnel read this manual prior to using the device. It is also the responsibility of the device owner to keep this manual intact and in a convenient location for all to see and read. If the manual or product labels are lost or not legible, contact Sunex Tools for replacements. If the operator is not fluent in English, the product and safety instructions shall be read and discussed with the operator in the operator's native language by the purchaser/owner or his designee, making sure that the operator comprehends its contents.

- Always operate, inspect and maintain this tool in accordance with American National Standards Institute Safety Code of Portable Air Tools (ANSI B186.1) and any other applicable safety codes and regulations.

- For safety, top performance and maximum durability of parts, operate this tool at 90 psig; 6.2 bar max air pressure with 3/8" diameter air supply hose.

- Always wear impact-resistant eye and face protection when operating or performing maintenance on this tool (users and bystanders).

- High sound levels can cause permanent hearing loss. Always use hearing protection as recommended by your employer an OSHA regulations while using this tool (users and bystanders).

- Operators and maintenance personnel must be physically able to handle the bulk, weight and power of this tool.

- Keep tool out of reach of children.

- Air powered tools can vibrate in use. Vibration, repetitive motions or uncomfortable positions over extended periods of time may be harmful to your hands and arms. Discontinue use of tool if discomfort, tingling feeling or pain occurs. Seek medical advice before resuming use.

- Air under pressure can cause severe injury. Never direct air at yourself or others. Always turn off the air supply, drain hose of air pressure and detach tool from air supply before installing, removing or adjusting any accessory on this tool, or before performing any maintenance on this tool. Failure to do so could result in injury. Whip hoses can cause serious injury. Always check for damaged, frayed or loose hoses and fittings, and replace immediately. Do not use quick detach couplings at tool. See instructions for correct set-up.

- Do not operate a damaged or worn tool. Do not use quick-detach couplings at tool. See instructions for correct set-up.

- Place tool on the work before starting the tool. Do not point or indulge in any horseplay with this tool.

- Slipping, tripping and/or falling while operating air tools can be a major cause of serious injury or death. Be aware of excess hose left on the walking or work surface.

- Keep body working stance balanced and firm. Do not overreach when operating the tool.



- Anticipate and be alert for sudden changes in motion during start up and operation of any power tool.

- Note direction of rotation BEFORE operating this tool

- Do not carry tool by the hose. Protect the hose from sharp objects and heat.

- Tool shaft may continue to rotate briefly after throttle is released. Avoid direct contact with accessories during and after use. Gloves will reduce the risk of cuts or burns

- Keep away from rotating end of tool. Do not wear jewelry or loose clothing. Secure long hair. Scalping can occur if hair is not kept away from tool and accessories. Choking can occur if neckwear is not kept away from tool and accessories.

- **Use only impact sockets and accessories on this tool. Do not use hand sockets and accessories.**

- This tool is not insulated against electric shock.

- This tool must not be used in explosive atmospheres.

- Do not lubricate tools with flammable or volatile liquids such as kerosene, diesel or jet fuel.

- Do not force tool beyond its rated capacity.

- Use replacement parts and accessories recommended by Sunex Tools.

- Servicing and repairs should only be made by an authorized service center.

- Do not use (or modify) the tool for any other purpose than that for which it was designed without consulting the manufacturer's authorized representative.

- Do not remove any labels. Replace damaged labels.

- This product may contain one or more chemicals known to the State of California to cause cancer and birth defects or other reproductive harm. *Wash hands thoroughly after handling.*

- Handling the brass parts of this product will expose you to lead, a chemical known to the State of California to cause birth defects and other reproductive harm. *Wash hands after handling.*

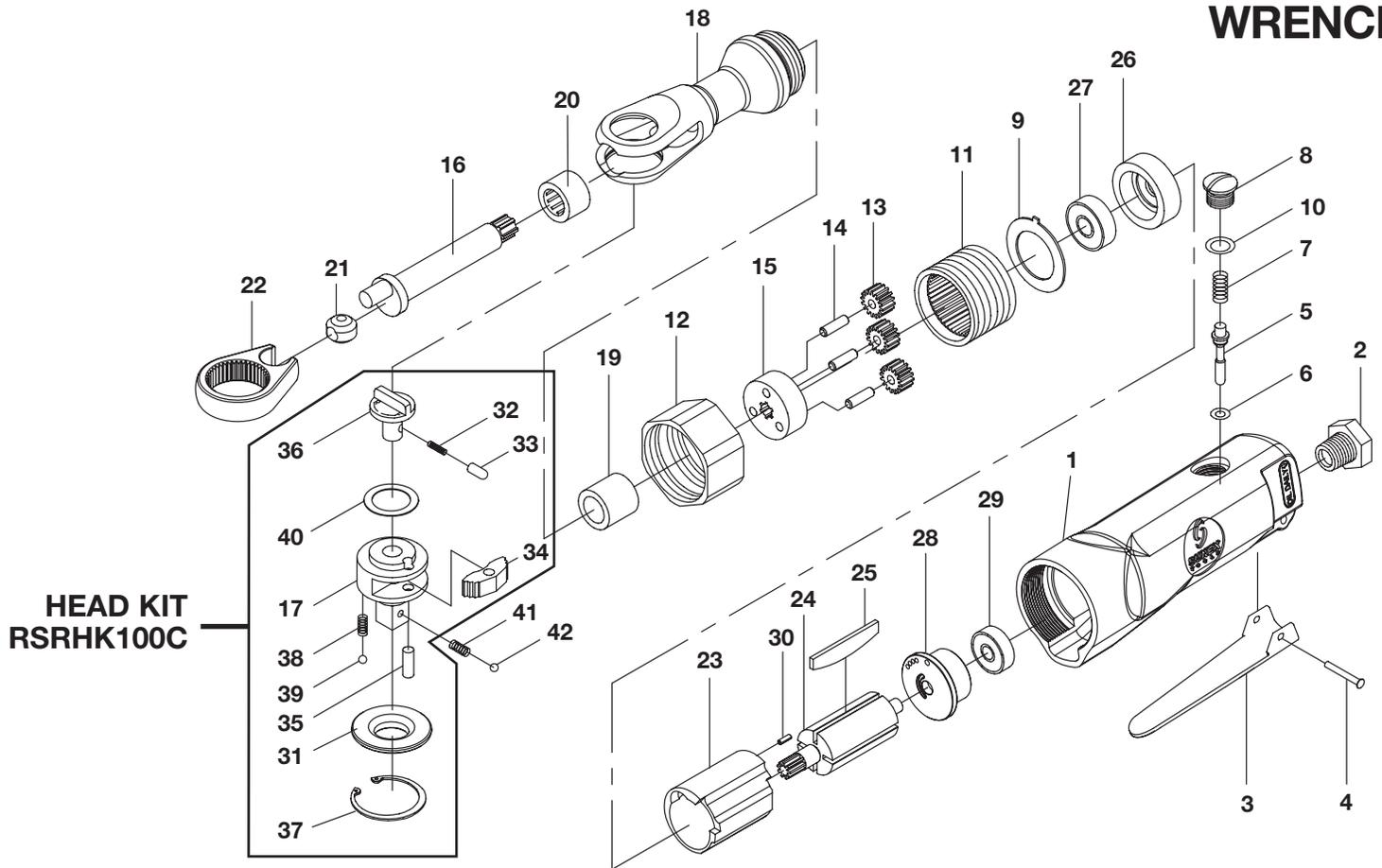
- Failure to heed these warnings may result in personal injury and/or property damage.

SX113

3/8" DRIVE

AIR RATCHET

WRENCH



REF. NO.	PART NO.	DESCRIPTION	QTY.
1	RS11301	Housing	1
2	RS11302	Air Inlet	1
3	RS11304	Throttle Lever	1
4	RS11305	Lever Pin	1
5	RS11306	Valve Stem	1
6	RS11409	O-Ring	1
7	RS11308	Spring Pin	1
8	RS11411	Valve Plug	1
9	RS11310	Washer	1
10	RS11311	O-Ring	1
11	RS11312	Threaded Ring Gear	1
12	RS11415	Clamp Nut	1
13	RS11416	Planet Gear	3
14		Gear Pin (incl. with #15)	3
15	RS11418	Gear Plate (incl. #14)	1
16	RS11317	Crank Shaft	1
17	*	3/8" Ratchet Anvil	1
18	RS11319	Ratchet Housing	1
19	RS11320	Bushing	1
20	RS11423	Needle Bearing	1
21	RS11322	Drive Bushing	1
22	RS11323	Ratchet Yoke	1

REF. NO.	PART NO.	DESCRIPTION	QTY.
23	RS11324	Cylinder	1
24	RS11427	Rotor	1
25	RS11428	Rotor Blade	4
26	RS11429	Front End Plate	1
27	RS30524	Ball Bearing (608ZZ)	1
28	RS11329	Rear End Plate	1
29	RS21114	Ball Bearing (626ZZ)	1
30	RS11433	Spring Pin	1
31	*	Thrust Washer	1
32	*	Spring Pin	1
33	*	Sleeve	1
34	*	Ratchet Pawl	1
35	*	Pin	1
36	*	Reverse Button	1
37	*	Retainer Ring	1
38	*	Spring Pin	2
39	*	Steel Ball	2
40	*	Washer	1
41		Spring	1
42		Steel Ball	1
43	RSSX113PLK	Product Label Kit (not shown)	1

* Available only in head kit, Part #RSRHK100C. Only items identified by part # are available individually.

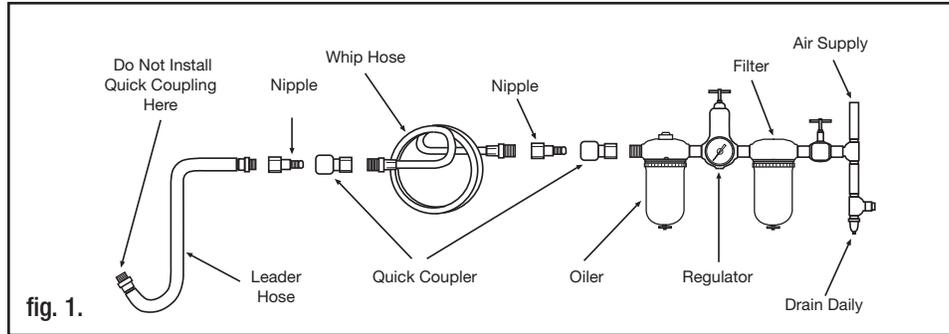


fig. 1.

AIR SUPPLY

Tools operate on a wide range of air pressures. It is recommended that air pressure measures 90 psig at the tool with the trigger fully depressed and no load applied to the tool. Higher pressure (over 90 psig; 6.2 bar) raises performance beyond the rated capacity of the tool, which will shorten tool life and could cause injury.

Always use clean, dry air. Dust, corrosive fumes and/or water in the air line will cause damage to the tool. Drain the water from air lines and compressor prior to running tool. Clean the air inlet filter screen weekly. The recommended hookup procedure can be viewed in the Figure 1.

The air inlet used for connecting air supply has standard 1/4" NPT. Line pressure should be increased to compensate for unusually long air hoses (over 25 feet). Minimum hose diameter should be 3/8" I.D. and fittings should have the same inside dimensions and be tightly secured.

Always turn off the air supply, drain hose of air pressure and detach tool from air supply before installing, removing or adjusting any part or accessory on this tool, or before performing any maintenance on this tool.

Ensure an accessible emergency shut off valve has been installed in the air supply line and make others aware of its location.

TROUBLESHOOTING

Other factors outside the tool may cause loss of power or erratic action. Reduced compressor output, excessive drain on the air line, moisture or restrictions in air pipes or the use of hose connections of improper size or poor conditions may reduce air supply. Grit or gum deposits in the tool may cut power and may be corrected by cleaning the air strainer and flushing out the tool with gum solvent oil or an equal mixture of SAE #10 and kerosene. If outside conditions are in order, disconnect tool from hose and take tool to your nearest authorized service center.

LUBRICATION AND MAINTENANCE

Lubricate the air motor daily with high quality air tool oil. If no air line oiler is used, run 1/2 oz. of oil through the tool. The oil can be squirted into the tool air inlet or into the hose at the nearest connection to the air supply, then run the tool. A rust inhibitive oil is acceptable for air tools.

WARNING: After an air tool has been lubricated, oil will discharge through the exhaust port during the first few seconds of operation. The exhaust port must be covered with a towel before applying air pressure to prevent serious injury.

OPERATION

The SX113 3/8" ratchet is designed to fasten and unfasten threaded fasteners while operating under recommended conditions. Note the directional setting of the reversing button before depressing the throttle. Ensure body stance to be in excellent balance and have full control of the tool before use. Be fully alert as sudden reaction torques and directional changes may unexpectedly occur. Be aware that air ratchets are not torque wrenches or pry bars. Joints and fasteners requiring a specific torque must be checked with a torque wrench as the final step. Using the air ratchet while the power is in the "off" position, to tighten or break-free fasteners, can irreversibly damage its internal mechanism and will void any remaining warranty. Always turn off the air supply, drain hose of air pressure and detach tool from air supply before installing, removing or adjusting any part or accessory on this tool, or before performing any maintenance on this tool.

WARNING: Use only impact sockets and accessories on this tool. Do not use hand sockets and accessories.