

ASSEMBLY INSTRUCTIONS

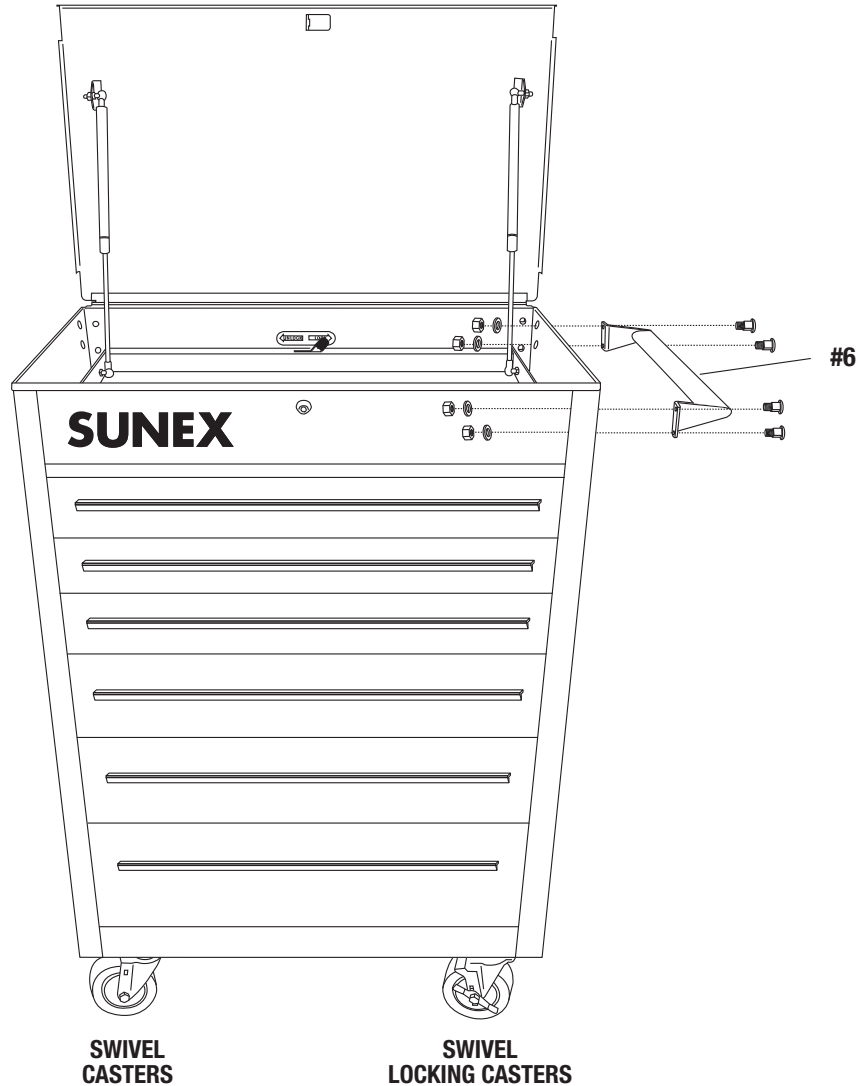
Tools Needed for Assembly:

13mm Socket or Wrench

Assembly Instructions:

Mount push handle/brackets assembly (Part #6) to the same side of the cart as the swivel locking casters using the four stove bolts, washers, and nuts provided.

Using 13mm socket or wrench completely tighten all nuts.



⚠ WARNING



Overall Load Capacity600 Lbs.	Top Compartment Capacity180 Lbs.	Drawer Capacity 70 Lbs. Each
--	---	---

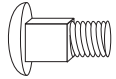
- It is the responsibility of the owner to make sure all personnel read this manual prior to using the device. It is also the responsibility of the device owner to keep this manual intact and in a convenient location for all to see and read. If the manual or product labels are lost or not legible, contact Sunex Tools[®] for replacements. If the operator is not fluent in English, the product and safety instructions shall be read and discussed with the operator in the operator's native language by the purchaser/owner or his designee, making sure that the operator comprehends its contents.
- Read and follow all instructions in User's Manual. • Do not load carts beyond rated capacity (600 Lbs.). • Lock lid and drawers before moving.
- Apply brake on locking casters anytime cart is in place. • Do not pull cart. Push from handle on end to move. • Units can tip or fall causing damage or personal injury. • Do not stand on or step in drawers. • Do not open more than one loaded drawer at a time. • Cart is designed to roll easily on flat surfaces and should not be used on uneven or inclined surfaces. • Keep children away from unit. • Wear gloves when lifting by edges.
- Failure to heed these warnings may result in personal injury and/or property damage.

⚠ WARNING: This product can expose you to chemicals including nickel, which is known to the State of California to cause cancer and birth defects or other reproductive harm.

TROUBLESHOOTING

Hardware Specifications:

Handle
Hardware



4 pcs

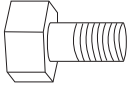


4 pcs



4 pcs

Caster
Hardware



16 pcs



16 pcs



16 pcs

PROBLEM: Drawers appear not to fit, do not slide in accurately and bump the cart sides.

SOLUTION: The roller bearing slides must be fully engaged into the mounting slots on all drawers (see fig. 1 below). They potentially could fall out of position during shipment. Check the side of the cart to determine which slide is out of position.

Remove the drawer that is out of position. The drawer is removed by the two clips on the actual roller bearing slide.

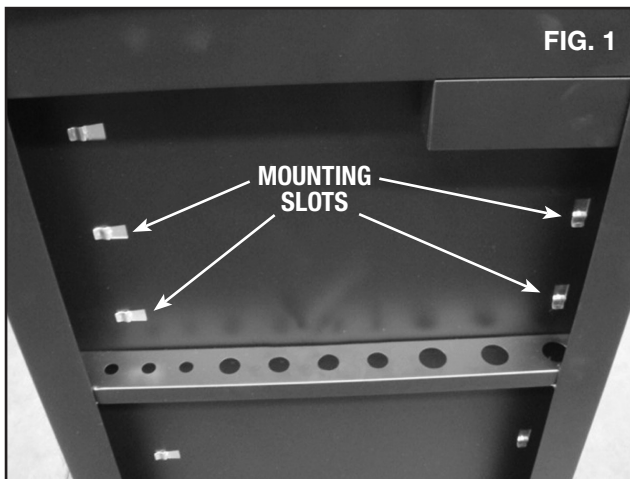
Simply push the roller bearing slide back down into position.

Insert the drawer back onto the roller bearing slides.

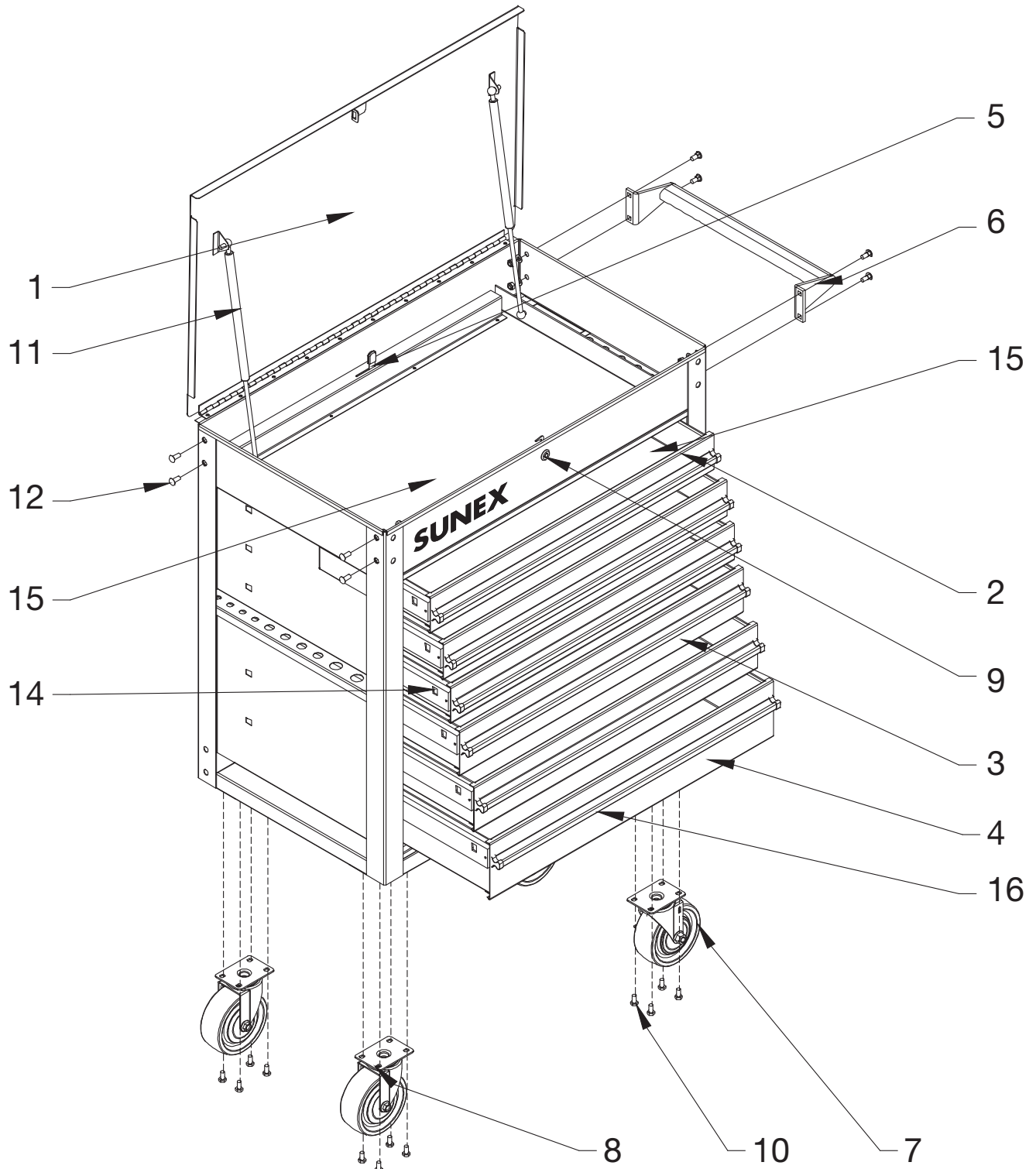
PROBLEM: Back lock / unlock switch does not engage the drawer.

SOLUTION: The inside lock / unlock slide potentially could fall out of its groove during shipment. Unscrew the four screws that are holding the lock / unlock slide in place.

Once the screws are removed, simply place the latch back onto the slide and tighten the four screws back down.



PARTS BREAKDOWN



PARTS LIST

REF #	PART#	DESCRIPTION	QTY
1	RS8057TLR	Top Lid - Red	1
	RS8057TLBK	Top Lid - Black	
	RS8057TLG	Top Lid - Green	
	RS8057TLMB	Top Lid - Matte Black	
	RS8057TLO	Top Lid - Orange	
	RS8057TLP	Top Lid - Purple	
	RS8057TLS	Top Lid - Silver	
	2	RS80573RD	3" Drawer - Red
RS80573BKD		3" Drawer - Black	
RS80573GD		3" Drawer - Green	
RS80573MBD		3" Drawer - Matte Black	
RS80573OD		3" Drawer - Orange	
RS80573PD		3" Drawer - Purple	
RS80573SD		3" Drawer - Silver	
3		RS80574RD	4" Drawer - Red
	RS80574BKD	4" Drawer - Black	
	RS80574GD	4" Drawer - Green	
	RS80574MBD	4" Drawer - Matte Black	
	RS80574OD	4" Drawer - Orange	
	RS80574PD	4" Drawer - Purple	
	RS80574SD	4" Drawer - Silver	
	4	RS80575RD	5" Drawer - Red
RS80575BKD		5" Drawer - Black	
RS80575GD		5" Drawer - Green	
RS80575MBD		5" Drawer - Matte Black	
RS80575OD		5" Drawer - Orange	
RS80575PD		5" Drawer - Purple	
RS80575SD		5" Drawer - Silver	
5		RS8057LMR	Locking Mechanism (excludes lock) - Red
	RS8057LMBK	Locking Mechanism (excludes lock) - Black	
	RS8057LMG	Locking Mechanism (excludes lock) - Green	
	RS8057LMMB	Locking Mechanism (excludes lock) - Matte Black	
	RS8057LMO	Locking Mechanism (excludes lock) - Orange	
	RS8057LMP	Locking Mechanism (excludes lock) - Purple	
	RS8057LMS	Locking Mechanism (excludes lock) - Silver	

REF #	PART#	DESCRIPTION	QTY
6	RS8057PH	Push Handle - Chrome	1
		(incl. push handle, handle bracket, hardware)	
7	RSSWLCS	5" Swivel Locking Caster	2
8	RSSWCS	5" Swivel Non Locking Caster	2
9	RSLKS	Lock with Keys	1
10	RS8057CBK	Caster Bolt Kit (M8x16)	1
11	RSGP	Gas Piston/each	2
12	RS8057PC	Plastic Cap (set of 4)	1
14	RSRBS	Roller Bearing Slides/pair	6
15	RS8057LK7	EVA Liners for Top Tray and Drawers	1
16	RS8057DH	Aluminum Drawer Handle	6

Also Available:

RS8057PHBK	Push Handle - Black	1
	(incl. push handle, handle bracket, hardware)	
RSRBSDET8PK	Ball Bearing Slide Detents (pack of 8)	1
RSRDP	Touch Up Paint (0.5 oz) - Red	1
RSBKP	Touch Up Paint (0.5 oz) - Black	1
RSGNP	Touch Up Paint (0.5 oz) - Green	1
RSMBP	Touch Up Paint (0.5 oz) - Matte Black	1
RSOP	Touch Up Paint (0.5 oz) - Orange	1
RSPP	Touch Up Paint (0.5 oz) - Purple	1
RSSP	Touch Up Paint (0.5 oz) - Silver	1

Only items identified by part number are available individually.