

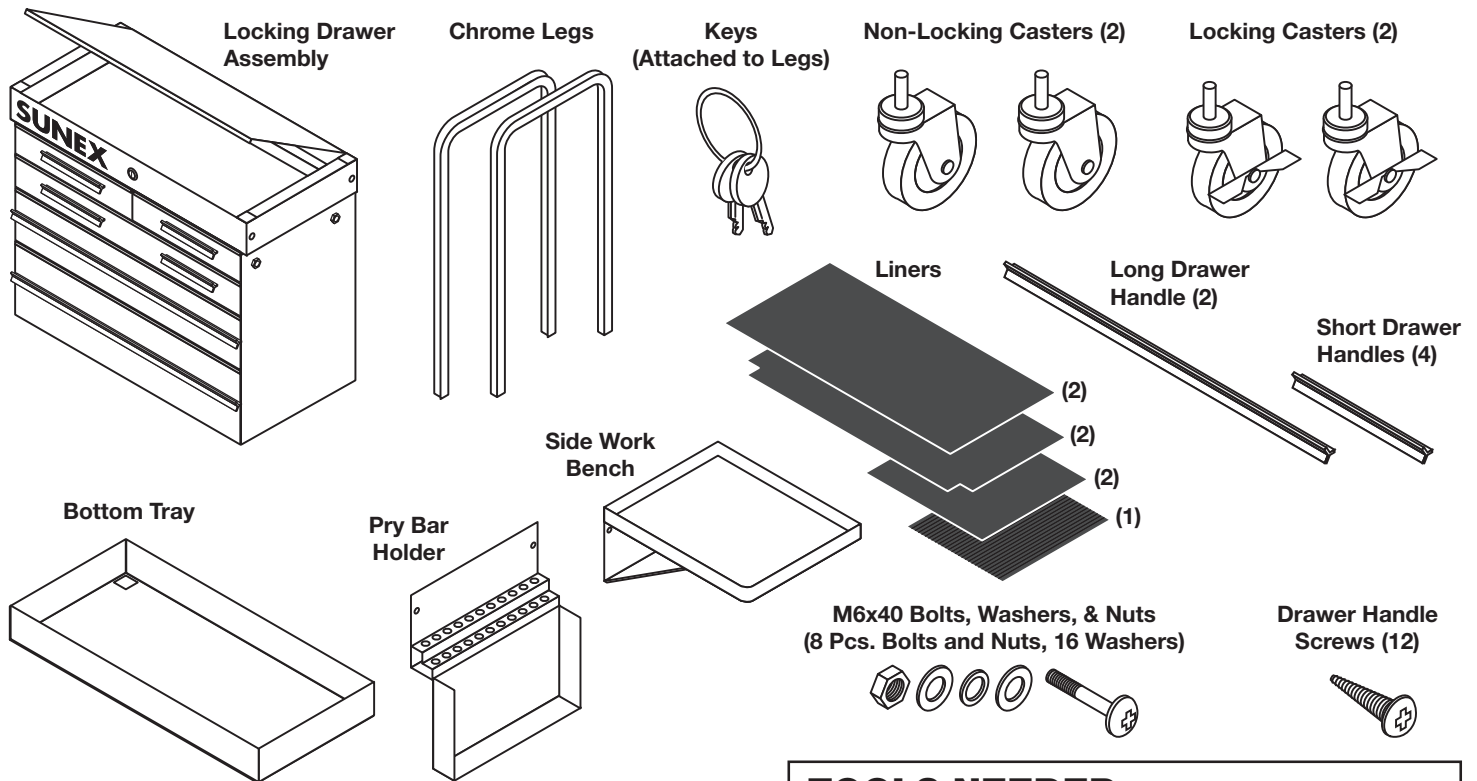
OPERATING MANUAL



Read and follow all instructions in User's Manual. It is the responsibility of the owner to make sure all personnel read this manual prior to using the device. It is also the responsibility of the device owner to keep this manual intact and in a convenient location for all to see and read. If the manual or product labels are lost or not legible, contact Sunex Tools[®] for replacements. If the operator is not fluent in English, the product and safety instructions shall be read and discussed with the operator in the operator's native language by the purchaser/owner or his designee, making sure that the operator comprehends its contents.

PARTS LIST

Examine box contents, then proceed with following instructions.



! WARNING



Read and follow all instructions in User's Manual. • Do not load carts beyond rated capacity (500 lbs.). • Lock lid and drawers before moving. • Apply brake on locking casters anytime cart is in place. • Units can tip or fall causing damage or personal injury. • Cart is designed to roll easily on flat surfaces and should not be used on uneven or inclined surfaces. • Do not open more than one loaded drawer at a time. • Do not stand on or step in drawers. • Keep children away from unit. • Wear gloves when lifting edges. • Failure to heed these warnings may result in personal injury and/or property damage.

WARNING: This product can expose you to chemicals including nickel, which is known to the State of California to cause cancer and birth defects or other reproductive harm.

TOOLS NEEDED



Rubber Mallet



Phillips Head Screwdriver



10mm Wrench



Table or Workbench



2 People

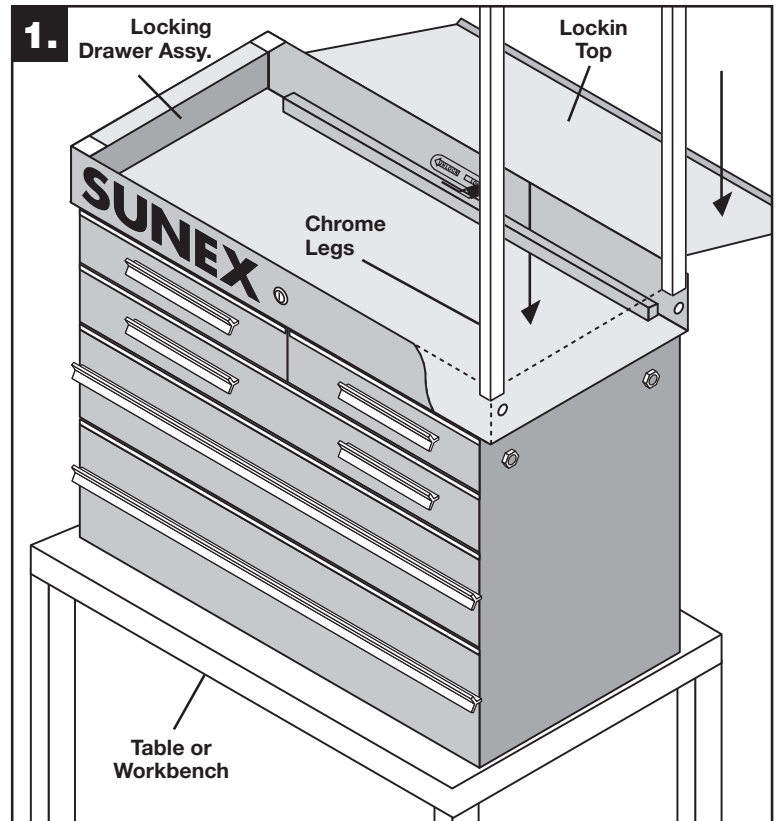
ASSEMBLY INSTRUCTIONS

NOTE

Do not fully tighten fasteners until prompted.

Step 1: Assembly preparation.

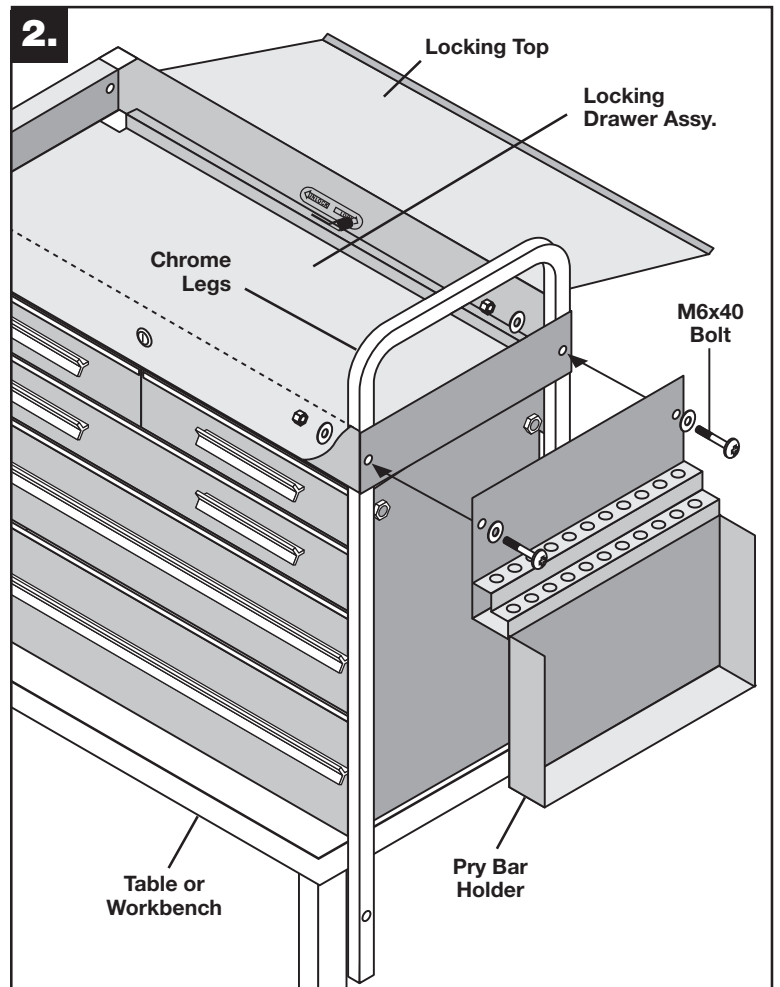
Clear table top and set Locking Drawer Assembly on table top, with lid facing up. Position the Locking Drawer Assembly so that one end hangs off of the table enough to allow the chrome legs to go through the square holes. Insert one set of chrome legs through the overhanging holes as shown in Figure 1. Do not bolt legs to top.



Step 2: Connecting legs and side accessory to drawer assembly

Choose one of the side accessories (Pry Bar Holder or Side Work Bench - Figure 2 shows Pry Bar Holder) for attachment to the overhanging end of the service cart. Align the outermost bolt holes in the accessory with the bolt holes in the end of the cart and with the uppermost holes in the chrome legs. Position a washer and insert an M6x40 bolt through the washer, bolt holes, and legs as shown. Secure bolts with a flat washer, lock washer, and nut on inside of Locking Drawer Assembly. Tighten bolts until parts fit together firmly.

Repeat steps 1 and 2 for other end of cart, using remaining side accessory.



ASSEMBLY INSTRUCTIONS

Step 3: Connecting the bottom tray to the chrome legs.

Lift the cart and place on top of the bottom tray with chrome legs through the square leg-holes. Align bolt holes in bottom tray with lower holes in legs and insert an M6x40 bolt through the washer, bolt holes, and legs as shown. Repeat with all remaining holes in bottom tray.

Step 4: IMPORTANT: Tighten all bolts.

At this point, all bolts should be tightened. Tighten bolts opposite each other rather than tightening all bolts on one side first so that cart remains aligned. Avoid using excessive force when tightening bolts. Over-tightening bolts can make drawers bind and hinder their operation.

Step 5: Attaching casters.

With the provided keys, lock all drawers, the top, and the Pry Bar Holder to prevent them from opening. Turn the cart upside down, allowing it to rest on chrome leg tops with the plastic inserts facing up.

NOTE

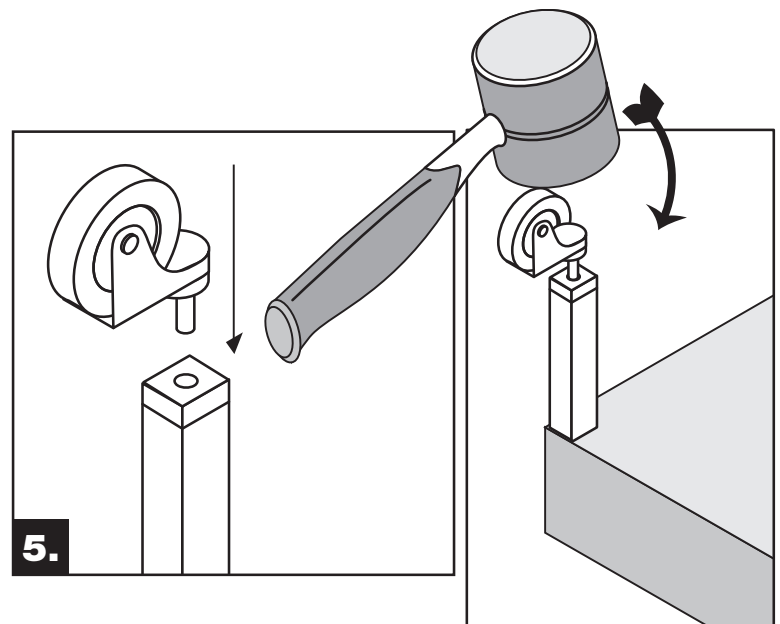
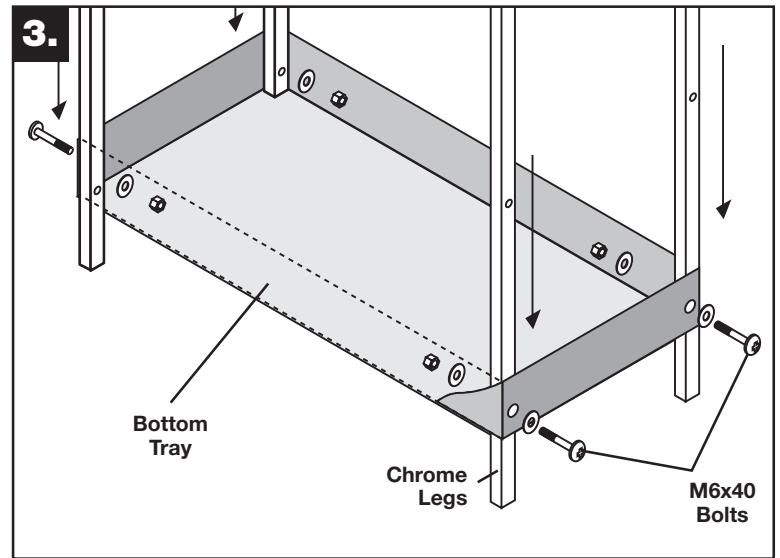
Do not allow the Side Work Bench to swing freely, as it may be damaged or cause injury as cart is turned upside down.

Insert the stem of one caster into the hole in a plastic insert. Using a rubber mallet, hammer the casters into place until the stem is no longer visible. Repeat with other casters.

NOTE

Ensure that both locking casters are on same end of the cart.

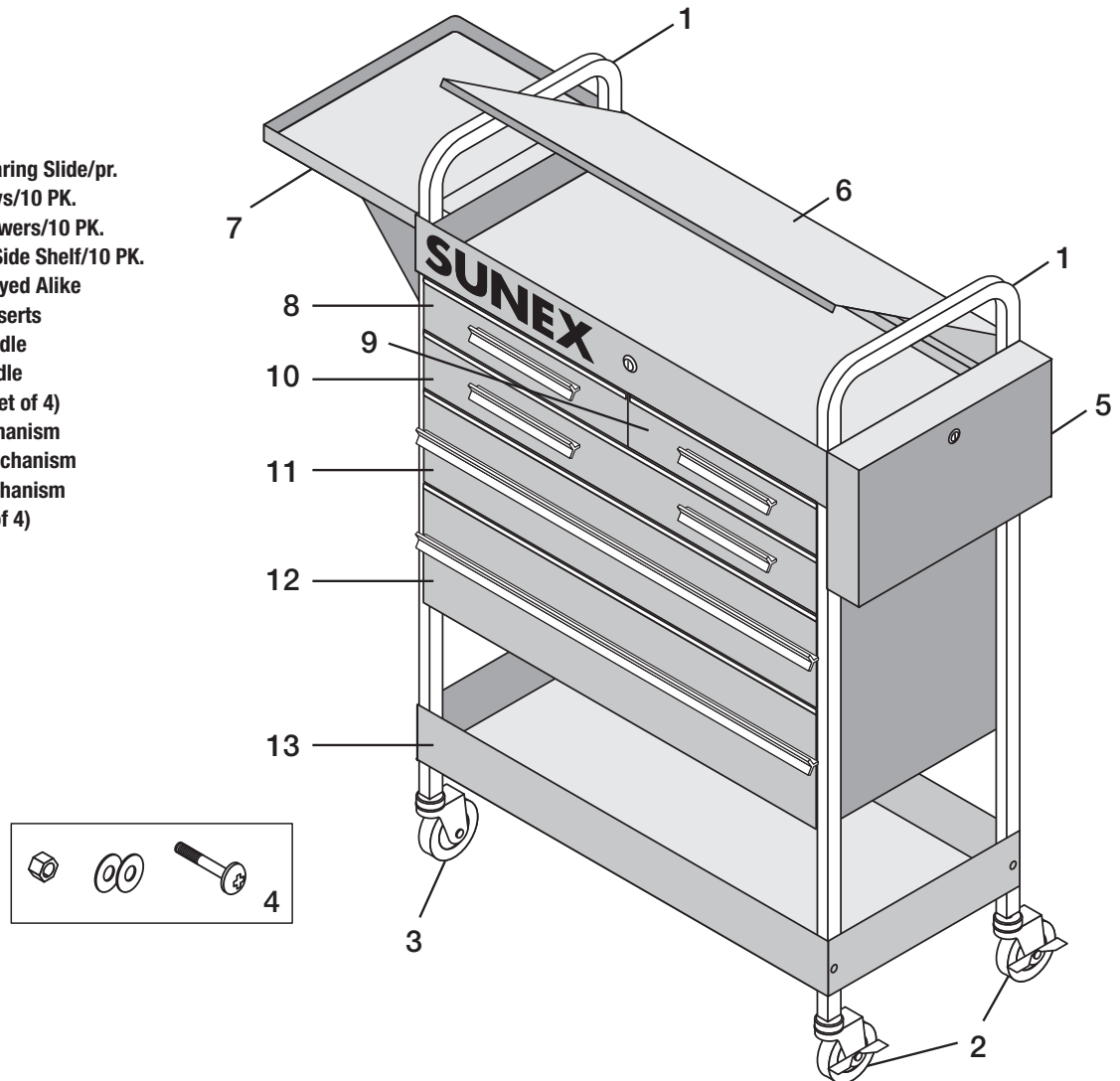
Once casters are installed, stand cart upright. Assembly is complete.



OPERATING MANUAL

ALSO AVAILABLE:

PART #	Description
RSRBSLIDEC2	Clip-On Roller bearing Slide/pr.
RS1110	EVA Foam for Trays/10 PK.
RS1111	EVA Foam for Drawers/10 PK.
8004SSM	Rubber Liner for Side Shelf/10 PK.
RS8045LS	2 Pc. Lock Set, Keyed Alike
RSSCPP1	Set of 4 Plastic Inserts
RS3DHDL	Short Drawer Handle
RS8006HDL	Long Drawer Handle
RS8006HDLs	Handle Screws (Set of 4)
RS8045LM	Red Locking Mechanism
RS8045LMBK	Black Locking Mechanism
RS8045LMBL	Blue Locking Mechanism
RS8045PF	Plastic Feet (Set of 4)



REPLACEMENT PARTS LIST

Item	Part #	# Req'd	Description	Item	Part #	# Req'd	Description
1	RSSC7N	2	Chrome Leg/ea.	9	8045R2SRD	1	2" Small Right Drawer without Slides (Red)
2	RS5LCA	2	5" Locking Caster/ea.		8045BK2SRD	1	2" Small Right Drawer without Slides (Black)
3	RS5NLCA	2	5" Non-Locking Caster/ea.		8045BL2SRD	1	2" Right Drawer without Slides (Blue)
4	RS8045BK	1	Bolt Kit (Incl. 8 M6x40 Bolts with Nuts and 16 Washers)	10	8045R2D	1	2" Drawer (Red)
5	8011	1	Pry Bar Holder (Red)		8045BK2D	1	2" Drawer (Black)
	8011BK	1	Pry Bar Holder (Black)		8045BL2D	1	2" Drawer (Blue)
	8011BL	1	Pry Bar Holder (Blue)	11	8045R4D	1	4" Drawer (Red)
6	8045RLT	1	Top Lid with Lock (Red)		8045BK4D	1	4" Drawer (Black)
	8045BKLT	1	Top Lid with Lock (Black)		8045BL4D	1	4" Drawer (Blue)
	8045BLLT	1	Top Lid with Lock (Blue)	12	8045R6D	1	6" Drawer (Red)
7	8004	1	Side Work Station (Red)		8045BK6D	1	6" Drawer (Black)
	8004BK	1	Side Work Station (Black)		8045BL6D	1	6" Drawer (Blue)
	8004BL	1	Side Work Station (Blue)	13	8007	1	Bottom Tray (Red)
8	8045R2SLD	1	2" Small Left Drawer without Slides (Red)		8007BK	1	Bottom Tray (Black)
	8045BK2SLD	1	2" Small Left Drawer without Slides (Black)		8007BL1	1	Bottom Tray (Blue)
	8045BL2SLD	1	2" Small Left Drawer without Slides (Blue)				