



⚠ WARNING



Overall Load Capacity.....650 Lbs.	Top Compartment Capacity100 Lbs.	Top Four Drawer Capacity.....75 Lbs. Each
Bottom Two Drawer Capacity.....150 Lbs. Each	Sliding Work Top (closed) Capacity200 Lbs. Each	Sliding Work Top (fully extended) Capacity...50 Lbs. Each

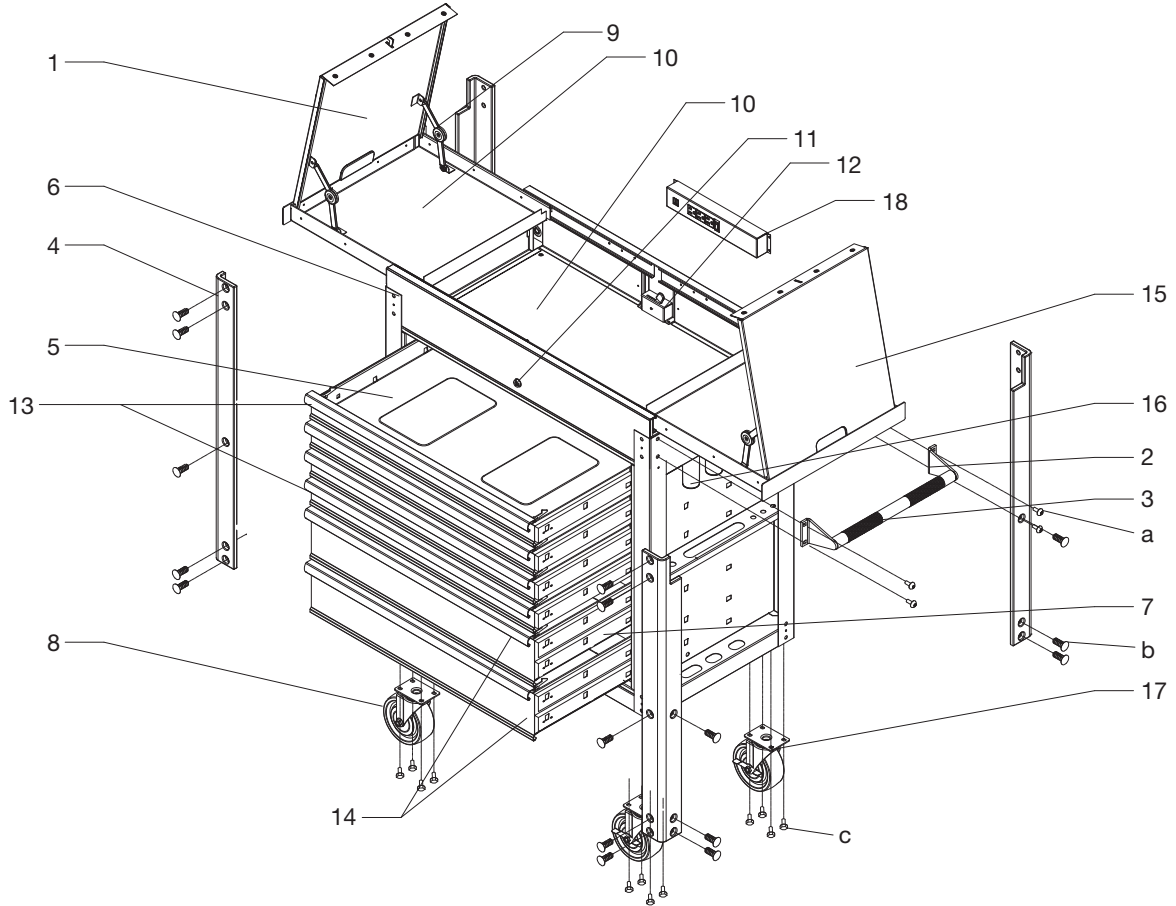
• It is the responsibility of the owner to make sure all personnel read this manual prior to using the device. It is also the responsibility of the device owner to keep this manual intact and in a convenient location for all to see and read. If the manual or product labels are lost or not legible, contact Sunex Tools[®] for replacements. If the operator is not fluent in English, the product and safety instructions shall be read and discussed with the operator in the operator's native language by the purchaser/owner or his designee, making sure that the operator comprehends its contents.

PLEASE NOTE: Loading cart beyond rated capacity may cause structural damage to the cart as well as personal and /or property damage. Please educate your customers to the "dangers of overloading"

- Lock lid and drawers before moving.
- Apply brake on locking casters anytime cart is in place.
- Do not pull cart. Push from handle on end to move.
- Units can tip or fall causing damage or personal injury.
- Cart is designed to roll easily on flat surfaces and should not be used on uneven or inclined surfaces.
- Do not open more than one loaded drawer at a time.
- Do not stand on or step in drawers.
- Keep children away from unit.
- Wear gloves when lifting edges.
- Before connecting to a power supply, always check to make sure the power supply corresponds to the voltage required on the product.
- Fully insert plug to reduce the risk of electric shock.
- Always unplug when not in use.
- Disconnect power before installing or servicing.
- Do not try to plug in unit or product when hands are wet or damp, or if standing on a wet or damp surface or in water.
- Never attempt to pick up unit or plugged in product that should fall in standing water.
- This unit is not waterproof and is intended for general use indoors.
- Do not use in potentially dangerous locations, such as flammable or explosive atmospheres.
- Keep cord away from heat, oil, sharp edges or moving parts.
- Failure to heed these warnings may result in personal injury and/or property damage.

⚠ WARNING: This product can expose you to chemicals including nickel, which is known to the State of California to cause cancer and birth defects or other reproductive harm.

PARTS BREAKDOWN



Ref No.	Part No.	Description	Qty	Ref No.	Part No.	Description	Qty
1	8035XTLSTFB	Left - Sliding Top File Box - Red	1	14	8035XT6D	6" Drawer - Red	1
	8035XTLSTFBBK	Left - Sliding Top File Box - Black	1		8035XT6DBK	6" Drawer - Black	1
	8035XTLSTFBBL	Left - Sliding Top File Box - Blue	1		8035XT6DBL	6" Drawer - Blue	1
	8035XTLSTFBLG	Left - Sliding Top File Box - Lime Green	1		8035XT6DLG	6" Drawer - Lime Green	1
	8035XTLSTFBOR	Left - Sliding Top File Box - Orange	1		8035XT6DOR	6" Drawer - Orange	1
2	RS8035XT21	Push Handle Knurl Tube - Chrome	1	15	8035XTRSTFB	Right - Sliding Top File Box - Red	1
	RS8035XT21BK	Push Handle Knurl Tube - Black	1		8035XTRSTFBBK	Right - Sliding Top File Box - Black	1
3	RS8035XT19	Push Handle Bracket - Chrome	1		8035XTRSTFBBL	Right - Sliding Top File Box - Blue	1
	RS8035XT19BK	Push Handle Bracket - Black	1		8035XTRSTFBLG	Right - Sliding Top File Box - Lime Green	1
4	RS190UCBP	Plastic Safety Bumper (4 pc.)	1		8035XTRSTFBOR	Right - Sliding Top File Box - Orange	1
5	RS80356LK	PVC Drawer Liners (6 pc.)	1	16	RS190UCPBZ	Pry Bar Holder	3
		Cart Body	1	17	RS8057SLCSZ	5" Swivel Locking Caster - Zinc	2
7	RS195SL	Drawer Roller Bearing Slides with 2 #6 Screws	1		RS8057SLCBK	5" Swivel Locking Caster - Black	2
8	RSSWCSBK	5" Non-Locking Swivel Caster - Black	2	18	RS50022	Power Strip (incl. 50022PC Power Cord)	1
	RSSWCSZ	5" Non-Locking Swivel Caster - Zinc	2		RS8035XTPSC	Power Strip Casing - Red	1
9	RS8035XFBB	File Box Brace	4		RS8035XTPSCBK	Power Strip Casing - Black	1
10	RS80353LK	PVC Liners (3 pc) - Right/Left File Box, Top Compartment	1		RS8035XTPSCBL	Power Strip Casing - Blue	1
11	RS197LK	Lock with Keys - Chrome	1		RS8035XTPSCLG	Power Strip Casing - Lime Green	1
	RS197LKBK	Lock with Keys - Black	1		RS8035XTPSCOR	Power Strip Casing - Orange	1
12	RS8035XTLM	Locking Mechanism - Red	1	a	RS8035XTPHS	Push Handle M8x19 Torx Screw	8
	RS8035XTLMBK	Locking Mechanism - Black	1	b	RS8035XTLTS2	M8x20 Plastic Tree - Pin	32
	RS8035XTLMBL	Locking Mechanism - Blue	1	c	RS8035XTBK	Caster M8x16 Screw kit with Spacer and Spring Spacer	16
	RS8035XTMLG	Locking Mechanism - Lime Green	1				
	RS8035XTLMOR	Locking Mechanism - Orange	1				
13	8035XT3D	3" Drawer - Red	2	Also available:			
	8035XT3DBK	3" Drawer - Black	2		RS50022PC	Power Cord for Power Strip	
	8035XT3DBL	3" Drawer - Blue	2		RS89DET8PK	Detents for Roller Bearing Slides (Pack of 8)	
	8035XT3DLG	3" Drawer - Lime Green	2		RS195SLT	Sliding Top Roller Bearing Slides with 15 Steel Rivets	
	8035XT3DOR	3" Drawer - Orange	2				