



⚠ WARNING



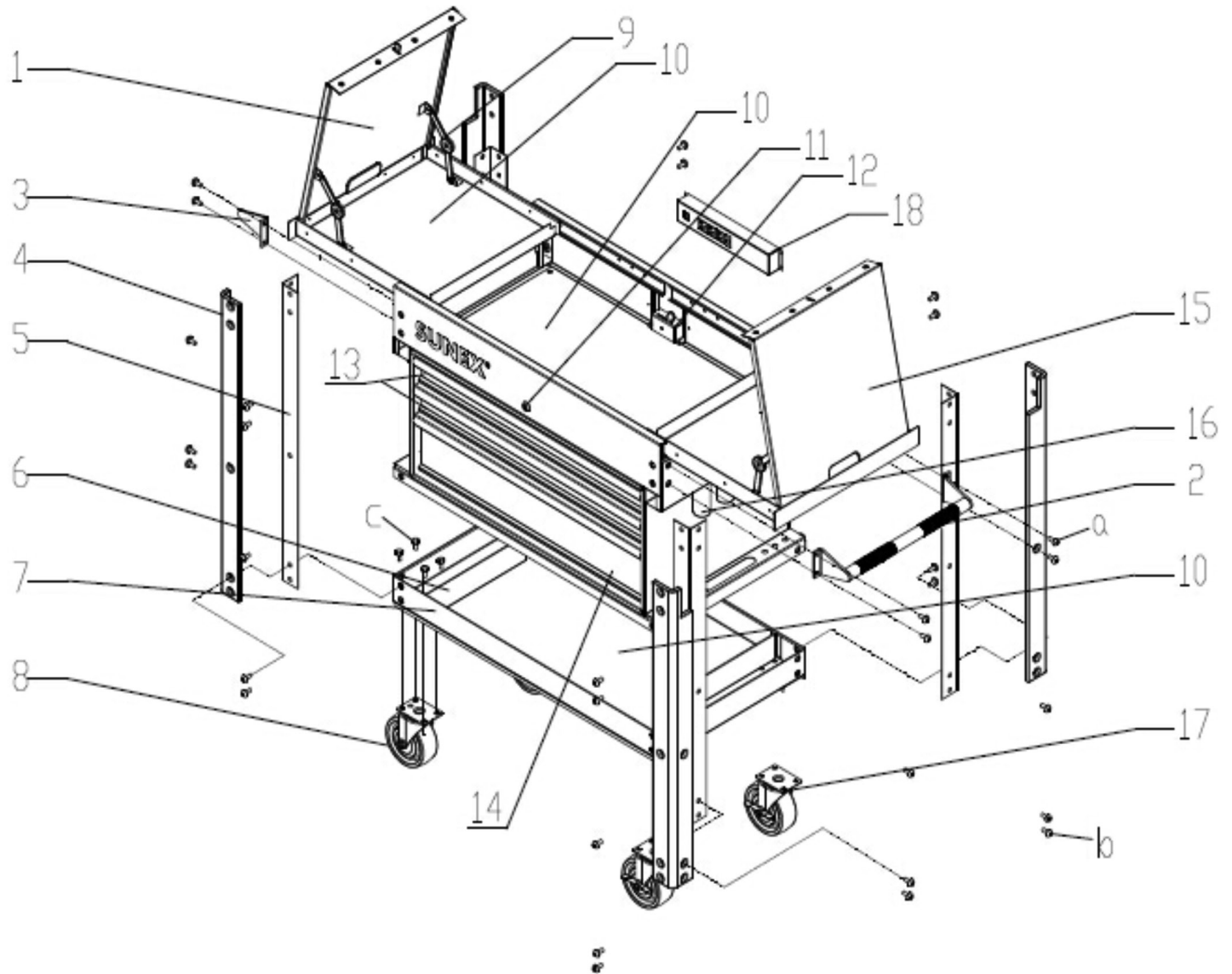
Overall Load Capacity.....500 Lbs.	Top and Bottom Shelf..... 100 Lbs. Each	Top Two Drawer Capacity 75 Lbs. Each
Bottom Drawer Capacity150 Lbs.	Sliding Work Top (closed) Capacity..... 200 Lbs. Each	Sliding Work Top (fully extended) Capacity 50 Lbs. Each

• It is the responsibility of the owner to make sure all personnel read this manual prior to using the device. It is also the responsibility of the device owner to keep this manual intact and in a convenient location for all to see and read. If the manual or product labels are lost or not legible, contact Sunex Tools[®] for replacements. If the operator is not fluent in English, the product and safety instructions shall be read and discussed with the operator in the operator's native language by the purchaser/owner or his designee, making sure that the operator comprehends its contents.

PLEASE NOTE: Loading cart beyond rated capacity may cause structural damage to the cart as well as personal and /or property damage. Please educate your customers to the "dangers of overloading"

• Lock lid and drawers before moving. • Apply brake on locking casters anytime cart is in place. • Do not pull cart. Push from handle on end to move. • Units can tip or fall causing damage or personal injury. • Cart is designed to roll easily on flat surfaces and should not be used on uneven or inclined surfaces. • Do not open more than one loaded drawer at a time. • Do not stand on or step in drawers. • Keep children away from unit. • Wear gloves when lifting edges. • Before connecting to a power supply, always check to make sure the power supply corresponds to the voltage required on the product. • Fully insert plug to reduce the risk of electric shock. • Always unplug when not in use. • Disconnect power before installing or servicing. • Do not try to plug in unit or product when hands are wet or damp, or if standing on a wet or damp surface or in water. • Never attempt to pick up unit or plugged in product that should fall in standing water. • This unit is not waterproof and is intended for general use indoors. Do not use in potentially dangerous locations, such as flammable or explosive atmospheres. • Do not use in potentially dangerous locations, such as flammable or explosive atmospheres. • Keep cord away from heat, oil, sharp edges or moving parts. • Handling the brass parts of this product will expose you to lead, a chemical known to the State of California to cause birth defects and other reproductive harm. *Wash hands after handling.* • This product may contain one or more chemicals known to the State of California to cause cancer and birth defects or other reproductive harm. *Wash hands thoroughly after handling.* • Failure to heed these warnings may result in personal injury and/or property damage.

PARTS BREAKDOWN



PARTS LIST

Ref No.	Part No.	Description	Qty	Ref No.	Part No.	Description	Qty
1	8035XTLSTFB	Left - Sliding Top File Box – Red	1	14	8035XT6D	6" Drawer – Red	1
	8035XTLSTFB BK	Left - Sliding Top File Box – Black	1		8035XT6DBK	6" Drawer – Black	1
	8035XTLSTFBBL	Left - Sliding Top File Box – Blue	1		8035XT6DBL	6" Drawer – Blue	1
	8035XTLSTFB LG	Left - Sliding Top File Box – Lime Green	1		8035XT6DLG	6" Drawer – Lime Green	1
	8035XTLSTFBMB	Left - Sliding Top File Box – Matte Black	1		8035XT6DMB	6" Drawer – Matte Black	1
	8035XTLSTFBOR	Left - Sliding Top File Box – Orange	1		8035XT6DOR	6" Drawer – Orange	1
	8035XTLSTFBWH	Left - Sliding Top File Box – White	1		8035XT6DWH	6" Drawer – White	1
2	RS8035XT21	Push Handle Knurl Tube – Chrome	1	15	8035XTRSTFB	Right - Sliding Top File Box – Red	1
	RS8035XT21BK	Push Handle Knurl Tube – Black	1		8035XTRSTFB BK	Right - Sliding Top File Box – Black	1
3	RS8035XT19	Push Handle Bracket – Chrome	1		8035XTRSTFBBL	Right - Sliding Top File Box – Blue	1
	RS8035XT19BK	Push Handle Bracket – Black	1		8035XTRSTFB LG	Right - Sliding Top File Box – Lime Green	1
4	RS190UCBP	Plastic Safety Bumper (4 pc)	1		8035XTRSTFBMB	Right - Sliding Top File Box – Matte Black	1
5	RS8035XTL	Leg – Red	4		8035XTRSTFBOR	Right - Sliding Top File Box – Orange	1
	RS8035XTLBK	Leg – Black	4		8035XTRSTFBWH	Right - Sliding Top File Box – White	1
	RS8035XTLBL	Leg – Blue	4	16	RS190UCPBT	Pry Bar Holder	3
	RS8035XTLLG	Leg – Lime Green	4	17	RSSWLCSZ	5" Swivel Locking Caster – Zinc	2
	RS8035XTLMB	Leg – Matte Black	4		RS8057SLCBK	5" Swivel Locking Caster – Black	2
	RS8035XTLOR	Leg – Orange	4	18	RS50022	Power Strip	1
	RS8035XTLWH	Leg – White	4		RS8035XTPSC	Power Strip Casing – Red	1
6	RS8035XTSC	Spray Can Divider – Red	2		RS8035XTPSCBK	Power Strip Casing – Black	1
	RS8035XTSCBK	Spray Can Divider – Black	2		RS8035XTPSCBL	Power Strip Casing – Blue	1
	RS8035XTSCBL	Spray Can Divider – Blue	2		RS8035XTPSCLG	Power Strip Casing – Lime Green	1
	RS8035XTSCLG	Spray Can Divider – Lime Green	2		RS8035XTPSCMB	Power Strip Casing – Matte Black	1
	RS8035XTSCMB	Spray Can Divider – Matte Black	2		RS8035XTPSCOR	Power Strip Casing – Orange	1
	RS8035XTSCOR	Spray Can Divider – Orange	2		RS8035XTPSCWH	Power Strip Casing – White	1
	RS8035XTSCWH	Spray Can Divider – White	2	a	RS8035XTPHS	Push Handle M8x19 Torx Screw	8
7	8035XTBT	Bottom Tray – Red	1	b	RS8035XTLTS	Leg M8x17 Torx Screw	32
	8035XTBTBK	Bottom Tray – Black	1	c	RS8035XTBK	Caster M8x16 Screw kit with Spacer and Spring Spacer	16
	8035XTBTBL	Bottom Tray – Blue	1				
	8035XTBT LG	Bottom Tray – Lime Green	1	Also available:			
	8035XTBTMB	Bottom Tray – Matte Black	1		RS50022PC	Power Cord for Power Strip	
	8035XTBTOR	Bottom Tray – Orange	1		RS195SL	Drawer Roller Bearing Slides with 2 #6 Screws	
	8035XTBTWH	Bottom Tray – White	1		RS89DET8PK	Detents for Roller Bearing Slides (Pack of 8)	
8	RSSWCSZ	5" Non-Locking Swivel Caster – Zinc	2		RS195SLT	Sliding Top Roller Bearing Slides with 15 Steel Rivets	
8	RSSWCSBK	5" Non-Locking Swivel Caster – Black	2		RS8035XTPLK	Product Label Kit – Red	1
9	RS8035XTFBB	File Box Brace	4		RS8035XTBKPLK	Product Label Kit – Black	1
10	RS8035XTDLK	Drawer Liner kit (7 pcs)	1		RS8035XTBLPLK	Product Label Kit – Blue	1
11	RS197LK	Lock - Chrome	1		RS8035XTLGPLK	Product Label Kit – Lime Green	1
	RS197LKBK	Lock - Black	1		RS8035XTMBPLK	Product Label Kit – Matte Black	1
12	RS8035XTLM	Locking Mechanism – Red	1		RS8035XTORPLK	Product Label Kit – Orange	1
	RS8035XTLMBK	Locking Mechanism – Black	1		RS8035XTWHPLK	Product Label Kit – White	1
	RS8035XTLMBL	Locking Mechanism – Blue	1				
	RS8035XTMLG	Locking Mechanism – Lime Green	1				
	RS8035XTLMMB	Locking Mechanism – Matte Black	1				
	RS8035XTLMOR	Locking Mechanism – Orange	1				
	RS8035XTLMWH	Locking Mechanism – White	1				
13	8035XT3D	3" Drawer – Red	2				
	8035XT3DBK	3" Drawer – Black	2				
	8035XT3DBL	3" Drawer – Blue	2				
	8035XT3DLG	3" Drawer – Lime Green	2				
	8035XT3DMB	3" Drawer – Matte Black	2				
	8035XT3DOR	3" Drawer – Orange	2				
	8035XT3DWH	3" Drawer – White	2				