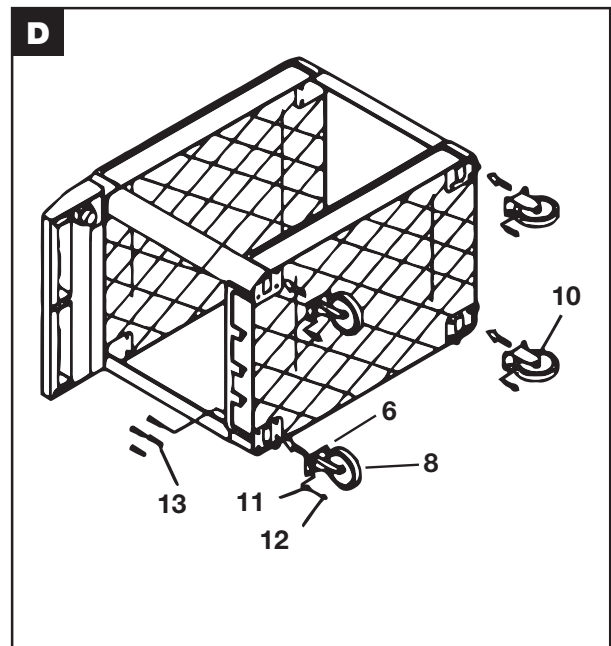
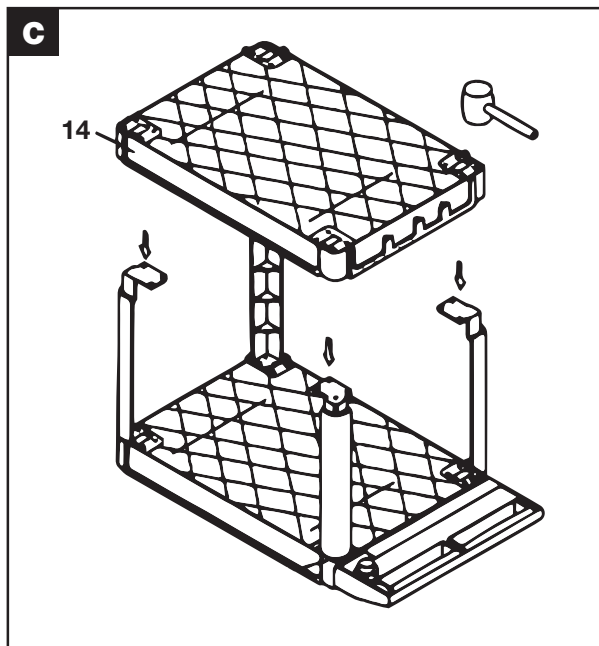
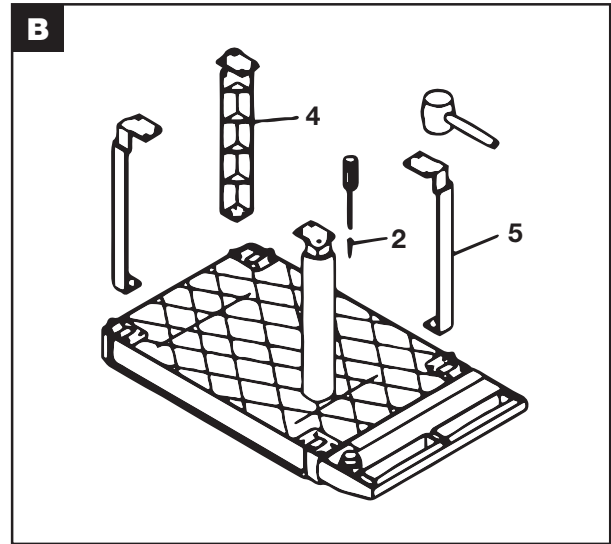
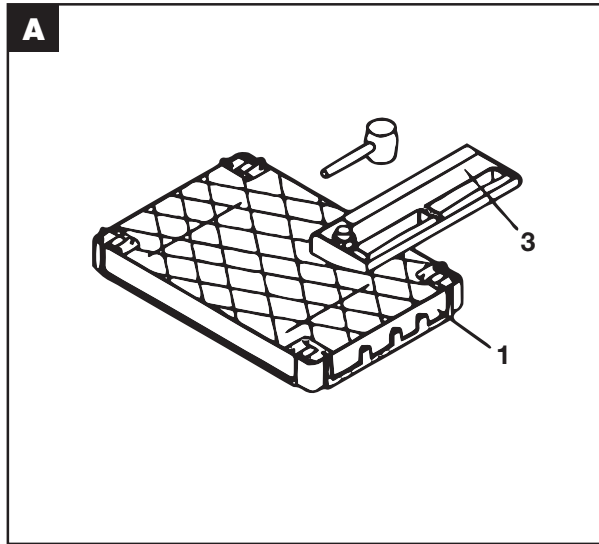


ASSEMBLY INSTRUCTIONS



Read and follow all instructions in User's Manual. It is the responsibility of the owner to make sure all personnel read this manual prior to using the device. It is also the responsibility of the device owner to keep this manual intact and in a convenient location for all to see and read. If the manual or product labels are lost or not legible, contact Sunex Tools[®] for replacements. If the operator is not fluent in English, the product and safety instructions shall be read and discussed with the operator in the operator's native language by the purchaser/owner or his designee, making sure that the operator comprehends its contents.

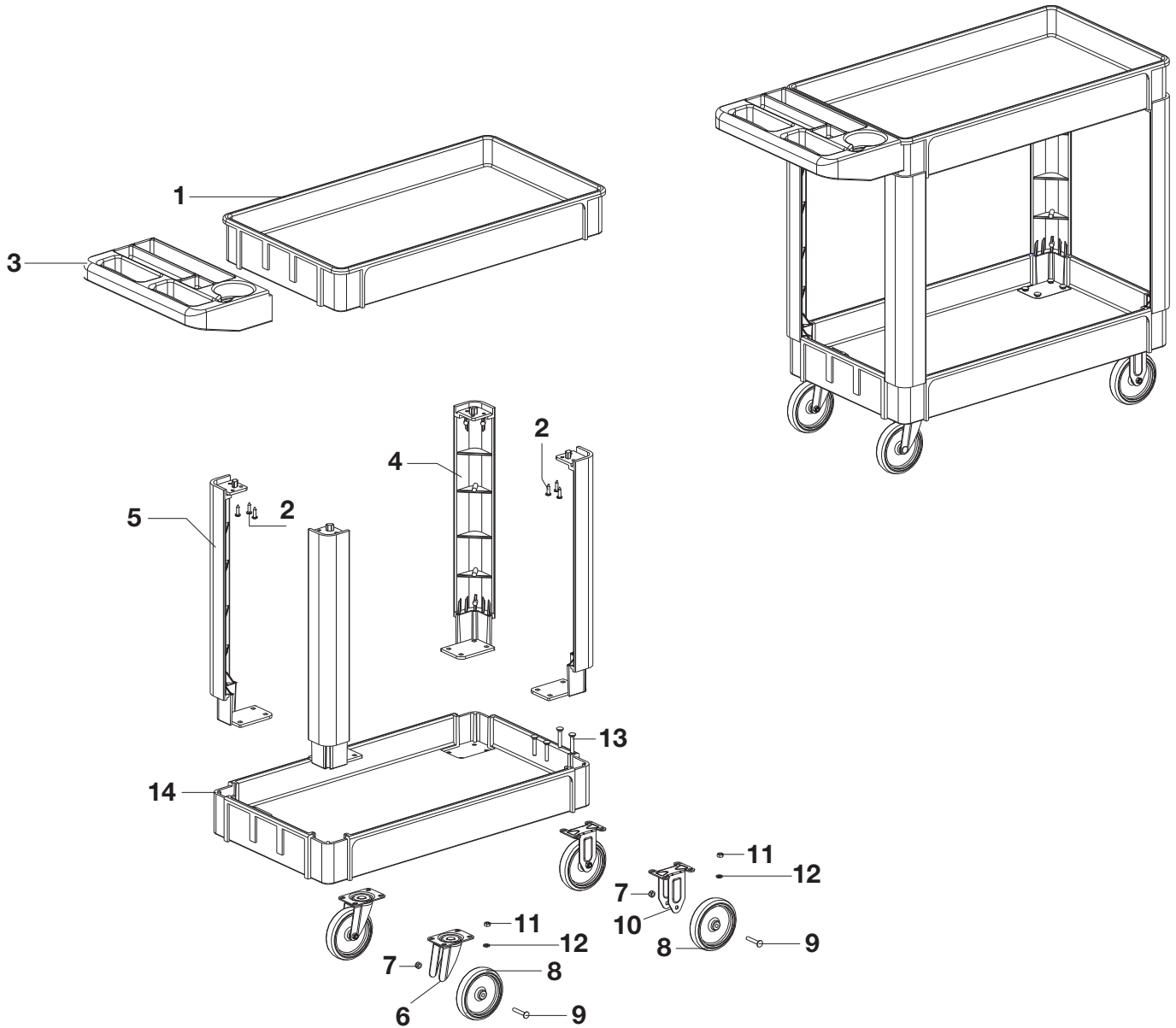


WARNING



Read and follow all instructions in User's Manual. • Do not load carts beyond rated capacity (500 lbs.). • Always distribute objects in the service cart evenly. • Units can tip or fall causing damage or personal injury. • Keep children away from unit. • Cart is designed to roll easily on flat surfaces and should not be used on uneven or inclined surfaces. • This product may contain one or more chemicals known to the State of California to cause cancer and birth defects or other reproductive harm. *Wash hands thoroughly after handling.* • Failure to heed these warnings may result in personal injury and/or property damage.

PARTS BREAKDOWN



REPLACEMENT PARTS LIST

Ref No.	Part No.	Description	Qty	Ref No.	Part No.	Description	Qty
1		Top Table	1	8	*	Wheel	4
2		Screw	12	9	*	Screw	4
3		Handle	1	10	*	Fixed Wheel Frame	2
4		Leg (A)	2	11	*	Spring Washer	16
5		Leg (B)	2	12	*	Hex Nut	16
6	*	Swivel Wheel Frame	2	13	*	Carriage Bolt	16
7	*	Lock Nut	4	14		Bottom Table	1

* RS25201: Swivel Wheel Assembly (incl. #6, 7, 8 and 9)

* RS25202: Fixed Wheel Assembly (incl. #7, 8, 9 and 10)

* RS25203: Caster Hardware Kit (incl. #11, 12 and 13)

Only items identified by part number are available separately.