

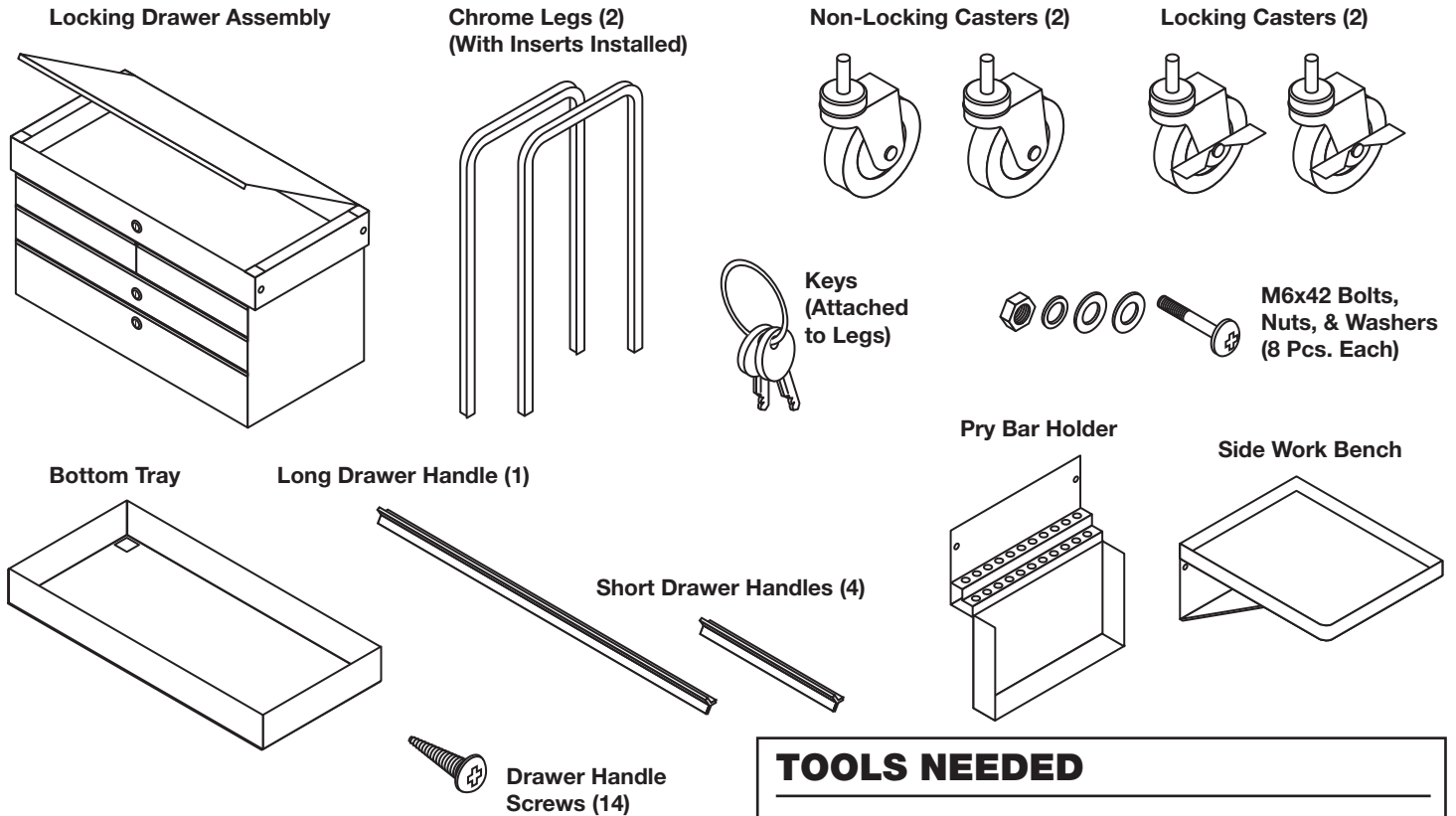
OPERATING MANUAL



THIS OPERATING MANUAL CONTAINS IMPORTANT SAFETY INFORMATION. READ CAREFULLY AND UNDERSTAND ALL INFORMATION BEFORE OPERATING THIS CART. SAVE THIS MANUAL FOR FUTURE USE.

PARTS LIST

Examine box contents, then proceed with following instructions.



⚠ WARNING

Read and follow all instructions in User's Manual. • Maximum load capacity 350 lbs. • Units can tip or strike you causing personal injury. • Do not open more than one loaded drawer at a time. • Lock lid and drawers before moving. • Do not stand on or step in drawers. • Apply brake on locking casters anytime cart is in place. • Move cart slowly when loaded, avoid cracks, holes and other floor irregularities. • Do not pull; push to move. • Improper moving or loading can cause injury. • Failure to heed these warnings may result in personal injury and/or property damage.

WARNING: This product can expose you to chemicals including nickel, which is known to the State of California to cause cancer and birth defects or other reproductive harm.



TOOLS NEEDED



Rubber Mallet



Phillips Head Screwdriver



6mm Wrench



Table or Workbench



2 People

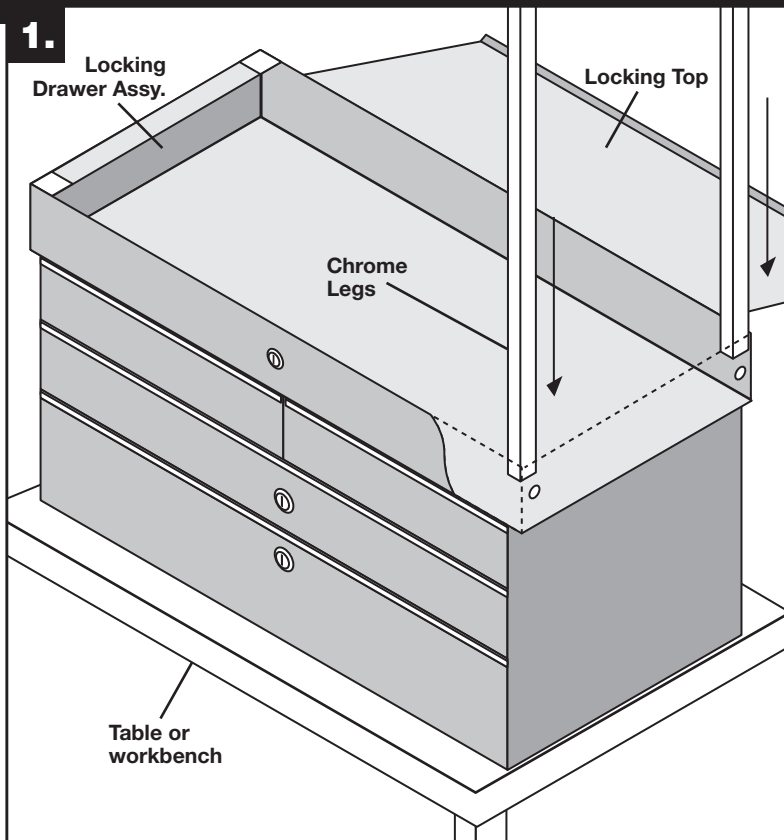
ASSEMBLY INSTRUCTIONS

NOTE

Do not fully tighten fasteners until prompted.

Step 1: Assembly preparation.

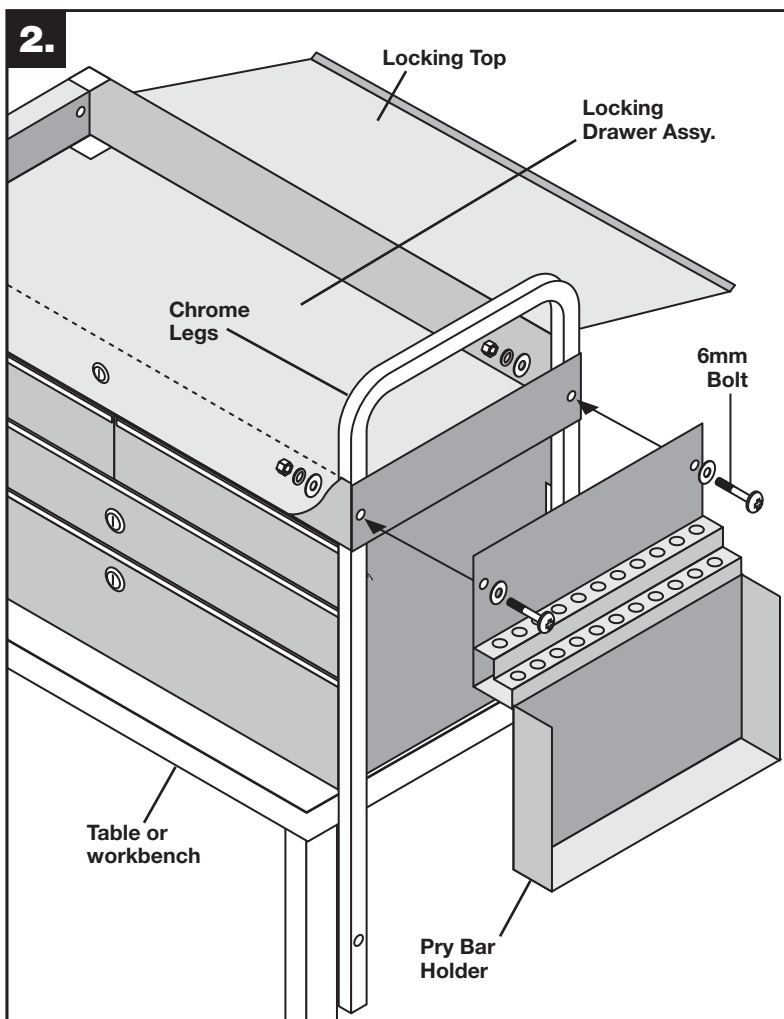
Clear table top and set Locking Drawer Assembly on table top, with lid facing up. Position the Locking Drawer Assembly so that one end hangs off of the table enough to allow the chrome legs to go through the square holes. Insert one set of chrome legs through the overhanging holes as shown in Figure 1. Do not bolt legs to top.



Step 2: Connecting legs and side accessory to drawer assembly

Choose one of the side accessories (Pry Bar Holder or Side Work Bench - Figure 2 shows Pry Bar Holder) for attachment to the overhanging end of the service cart. Align the outermost bolt holes in the accessory with the bolt holes in the end of the cart and with the uppermost holes in the chrome legs. Position a washer and insert a 6mm bolt through the washer, bolt holes, and legs as shown. Secure bolts with a flat washer, lock washer, and nut on inside of Locking Drawer Assembly. Tighten bolts until parts fit together firmly.

Repeat steps 1 and 2 for other end of cart, using remaining side accessory.



ASSEMBLY INSTRUCTIONS

Step 3: Connecting the bottom tray to the chrome legs.

Lift the cart and place on top of the bottom tray with chrome legs through the square leg-holes. Align bolt holes in bottom tray with lower holes in legs and insert a 6mm bolt through the washer, bolt holes, and legs as shown. Repeat with all remaining holes in bottom tray.

Step 4: IMPORTANT: Tighten all bolts.

At this point, all bolts should be tightened. Tighten bolts opposite each other rather than tightening all bolts on one side first so that cart remains aligned. Avoid using excessive force when tightening bolts. Over-tightening bolts can make drawers bind and hinder their operation.

Step 5: Attaching handles to drawer faces.

Open the bottom drawer of the service cart. Align the ends of the long handle with the edges of the bottom drawer, so that the channel in the handle covers all six holes in the front of the drawer. Insert screws through each hole from inside the drawer and into the drawer handle channel. Tighten the screws. Repeat for all remaining drawers using short handles.

NOTE

Do not allow the handles to overhang the ends of the drawer faces, as they will interfere with the operation of the drawer.

Step 6: Attaching casters.

With the provided keys, lock all drawers, the top, and the Pry Bar Holder to prevent them from opening. Turn the cart upside down, allowing it to rest on chrome leg tops with the plastic inserts facing up.

NOTE

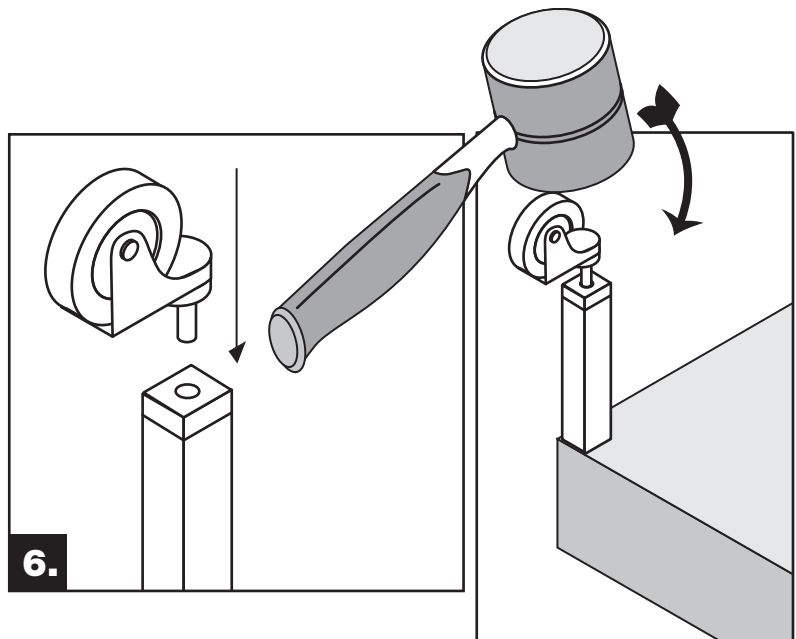
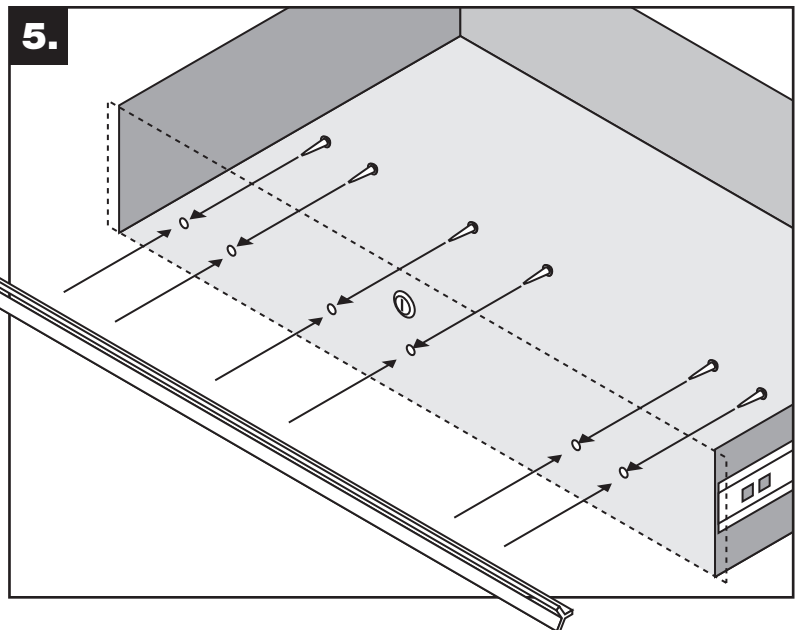
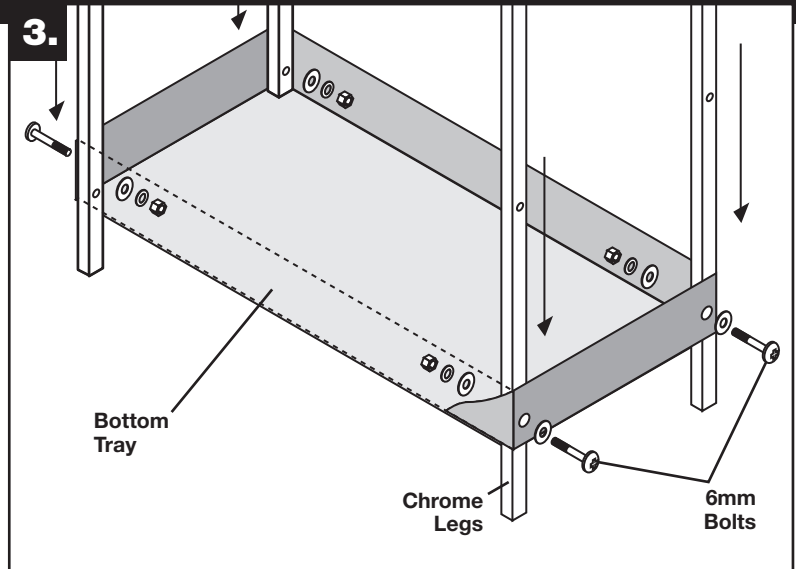
Do not allow the Side Work Bench to swing freely, as it may be damaged or cause injury as cart is turned upside down.

Insert the stem of one caster into the hole in a plastic insert. Using a rubber mallet, hammer the casters into place until the stem is no longer visible. Repeat with other casters.

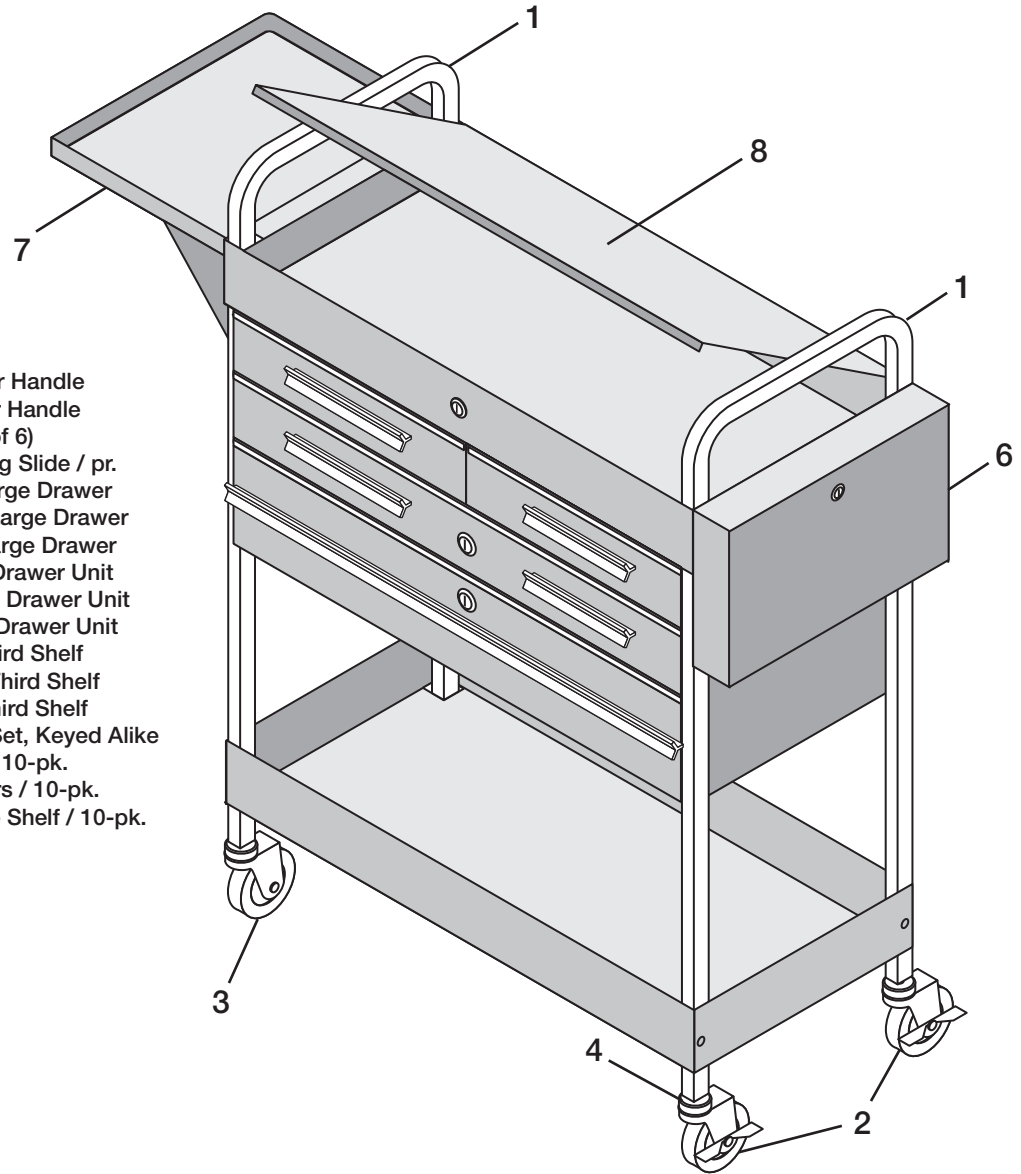
NOTE

Ensure that both locking casters are on same end of the cart.

Once casters are installed, stand cart upright. Assembly is complete.



PARTS BREAKDOWN



ALSO AVAILABLE

Part #	Description
RS3DHDL	Short Chrome Drawer Handle
RS8006HDL	Long Chrome Drawer Handle
RS8006HDLS	Handle Screws (Set of 6)
RSRBSLIDEC2	Clip-On Roller Bearing Slide / pr.
8006RB	Red Replacement Large Drawer
8006CRBBK	Black Replacement Large Drawer
8006CRBL	Blue Replacement Large Drawer
8016	Red Replacement 3 Drawer Unit
8016BK	Black Replacement 3 Drawer Unit
8016BL	Blue Replacement 3 Drawer Unit
8007	Red Replacement Third Shelf
8007BK	Black Replacement Third Shelf
8007BL1	Blue Replacement Third Shelf
8013LS	4-Piece Lock & Key Set, Keyed Alike
1110.	EVA Foam for Trays / 10-pk.
1111.	EVA Foam for Drawers / 10-pk.
8004SSM	Rubber Liner for Side Shelf / 10-pk.

REPLACEMENT PARTS LIST

Item	Part #	# Req'd	Description	Item	Part #	# Req'd	Description
1	RSSC7	2	Chrome Leg/ea.	7	8004	1	Red Side Work Bench
2	RSSCPLW	2	Locking Caster/ea.		8004BK		Black Side Work Bench
3	RSSCPW	2	Non-Locking Caster/ea.		8004BL		Blue Side Work Bench
4	RSSCPP1	1	Set of 4 Plastic Inserts	8	8002	1	Red Locking Top
5	RS8013ADLXBK	1	Bolt Kit (Incl. 8 ea. of 6mm bolts, nuts, washers and 14 screws)-not shown		8002BK		Black Locking Top
6	8011	1	Red Pry Bar Holder		8002BL1		Blue Locking Top
	8011BK		Black Pry Bar Holder				
	8011BL		Blue Pry Bar Holder				