

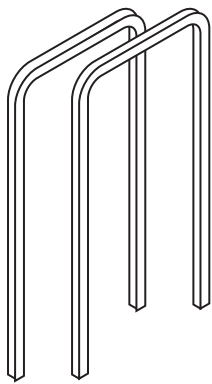
#### PARTS BREAKDOWN AND OPERATING MANUAL



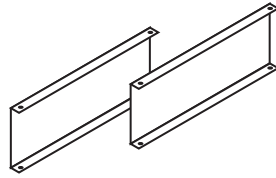
Read and follow all instructions in User's Manual. It is the responsibility of the owner to make sure all personnel read this manual prior to using the device. It is also the responsibility of the device owner to keep this manual intact and in a convenient location for all to see and read. If the manual or product labels are lost or not legible, contact Sunex Tools<sup>®</sup> for replacements. If the operator is not fluent in English, the product and safety instructions shall be read and discussed with the operator in the operator's native language by the purchaser/owner or his designee, making sure that the operator comprehends its contents.

#### PARTS LIST

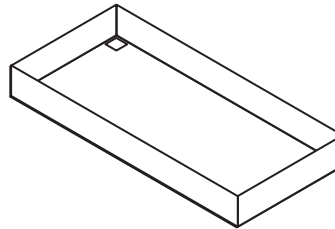
**Chrome Legs (2)**  
(With Inserts Installed)



**Drawer Support Side Panels (2)**



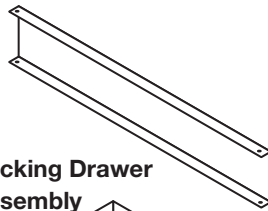
**Bottom Drawer**



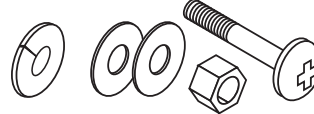
**Keys (Attached to Drawer Lock)**



**Drawer Support Back Panel**



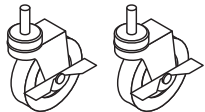
**10mm Nuts, Washers, Lock Washers & Bolts (8 Pcs. Each)**



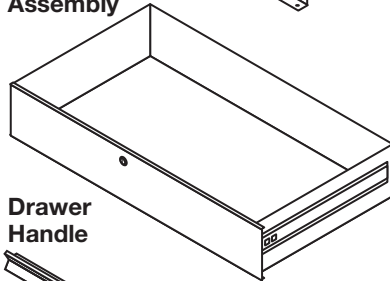
**14mm Nuts, Washers & Bolts (8 Pcs. Each)**



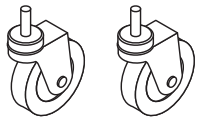
**Locking Casters (2)**



**Locking Drawer Assembly**



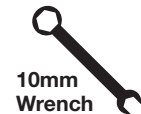
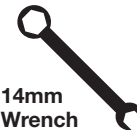
**Non-Locking Casters (2)**



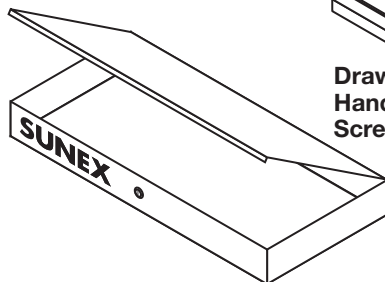
**Drawer Handle**



#### TOOLS NEEDED



**Locking Top Assembly**



**Drawer Spacer**



**Drawer Handle Screws (6)**



**Table or Workbench**



**2 People**

#### ⚠️ WARNING



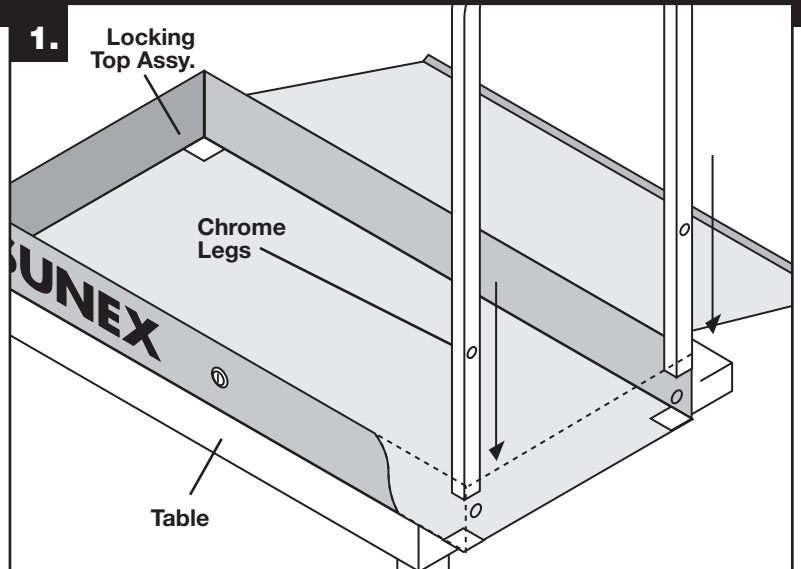
Read and follow all instructions in User's Manual. • Do not load carts beyond rated capacity 350 lbs. (175 lbs. per shelf). • Lock lid and drawers before moving. • Apply brake on locking casters anytime cart is in place. • Units can tip or fall causing damage or personal injury. • Cart is designed to roll easily on flat surfaces and should not be used on uneven or inclined surfaces. • Do not open more than one loaded drawer at a time. • Do not stand on or step in drawers. • Keep children away from unit. • Wear gloves when lifting edges. • Failure to heed these warnings may result in personal injury and/or property damage.

**⚠️ WARNING:** This product can expose you to chemicals including nickel, which is known to the State of California to cause cancer and birth defects or other reproductive harm.

## ASSEMBLY INSTRUCTIONS

### Step 1: Assembly preparation.

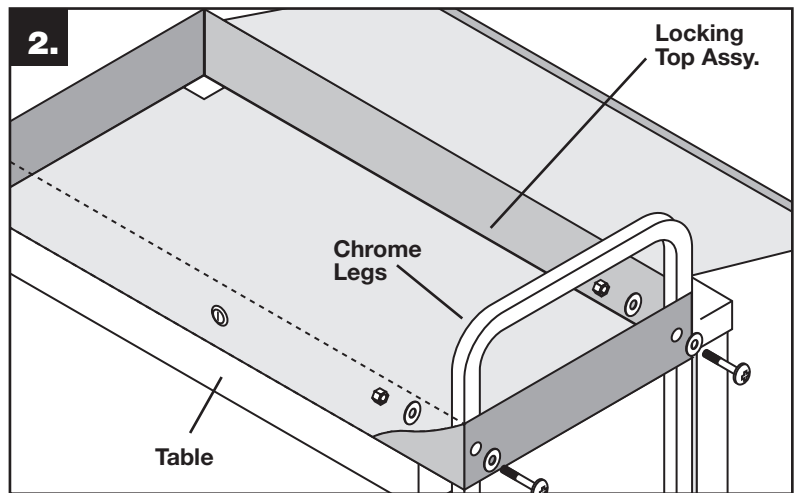
Clear table top and set locking top assembly on table right side up. Position the locking top assembly so the right side hangs off the table enough to expose the square holes so the chrome legs can go through. Insert one set of chrome legs through the 4 holes as shown in figure 1.



### Step 2: Connecting the locking top assembly to the chrome legs.

On right side of cart, line up holes in top tray with holes in the top of the chrome legs. Position a washer, and insert a 10mm bolt through the washer and holes. Attach inside with another washer and nut. Repeat step 2 with remaining holes on right side of cart.

Repeat steps 1 and 2 for left side of cart.

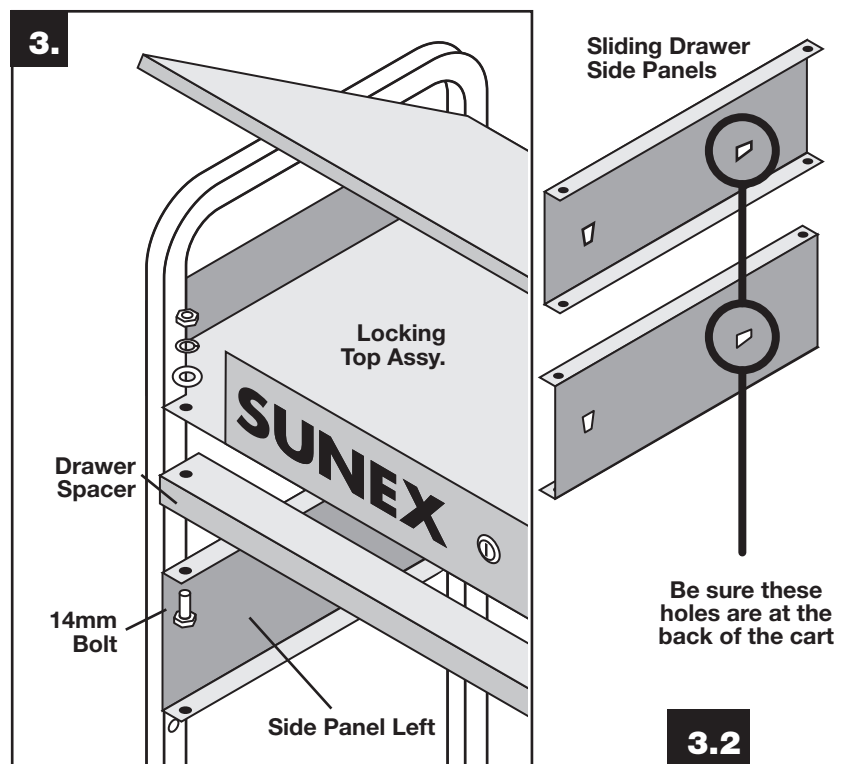


### Step 3: Connecting the sliding drawer side supports to the locking top assembly.

Before executing this step refer to figure 3.2 to make sure you are putting the correct drawer support side panel on the correct side.

**NOTE: The locking drawer assembly will not stay in place if the drawer support side panels are put on incorrectly.**

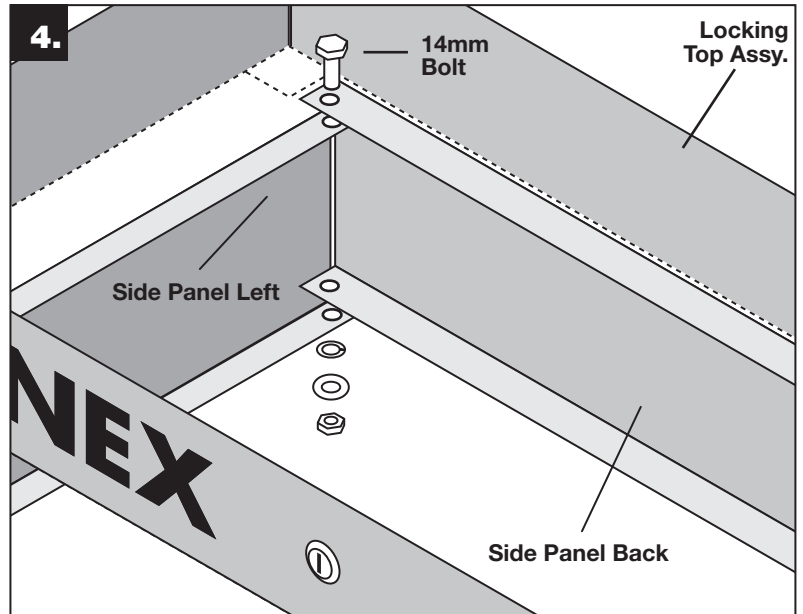
Insert a 14mm bolt through the left front side of the drawer support side panel first and then up through drawer spacer into hole in the locking top assembly. Hand tighten the bolt. Repeat on right front side. Once the drawer support side panels are attached to the front of the locking top assembly, continue to Step 4.



**Step 4: Connecting the sliding drawer back support to the locking top assembly.**

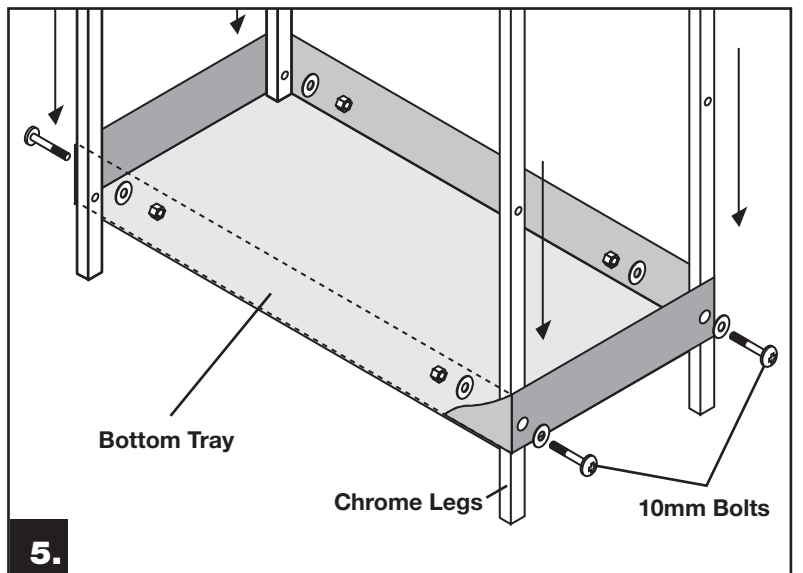
Insert a 14mm bolt down through back left hole in the locking top assembly, through the left hole in the drawer support back panel, and finally through the hole in the left drawer support side panel. Hand tighten the bolt. Repeat for the back right side.

The locking top assembly, drawer supports and drawer spacer should now all be successfully connected.



**Step 5: Connecting the bottom tray to the chrome legs.**

Pick up entire cart and place on top of the bottom tray. Line up holes in bottom tray with holes in chrome legs. Choose an aligned hole, position a washer, and insert 10mm bolt through the washer and hole. Attach inside with another washer and nut. Hand tighten. Repeat with all remaining aligned holes.

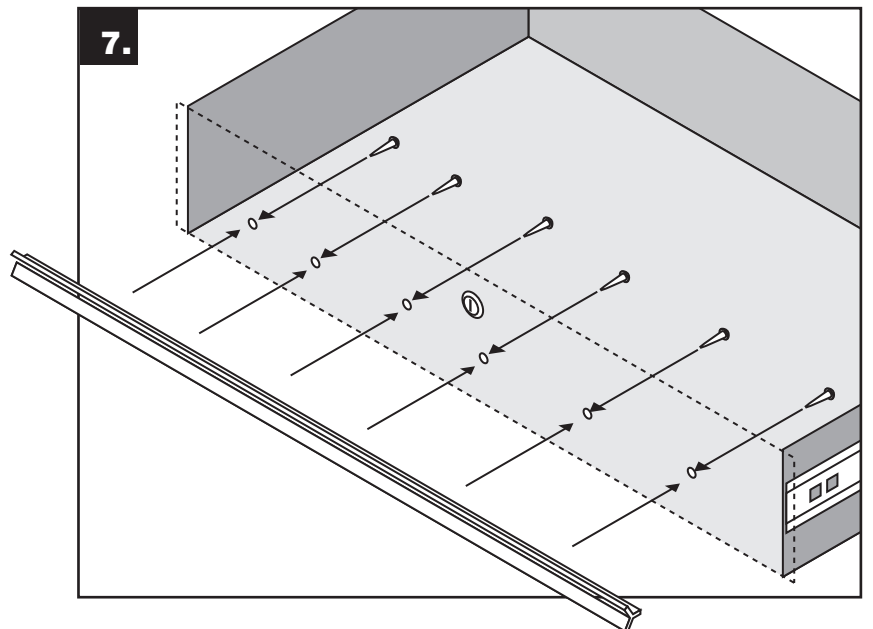


**Step 6: Tighten all bolts.**

At this point all bolts should be tightened. Tighten bolts opposite each other rather than tightening all bolts on one side first.

**Step 7: Attaching handle to locking drawer assembly.**

Insert the 4 drawer handle screws through the holes in the back of the drawer and tighten with screwdriver.



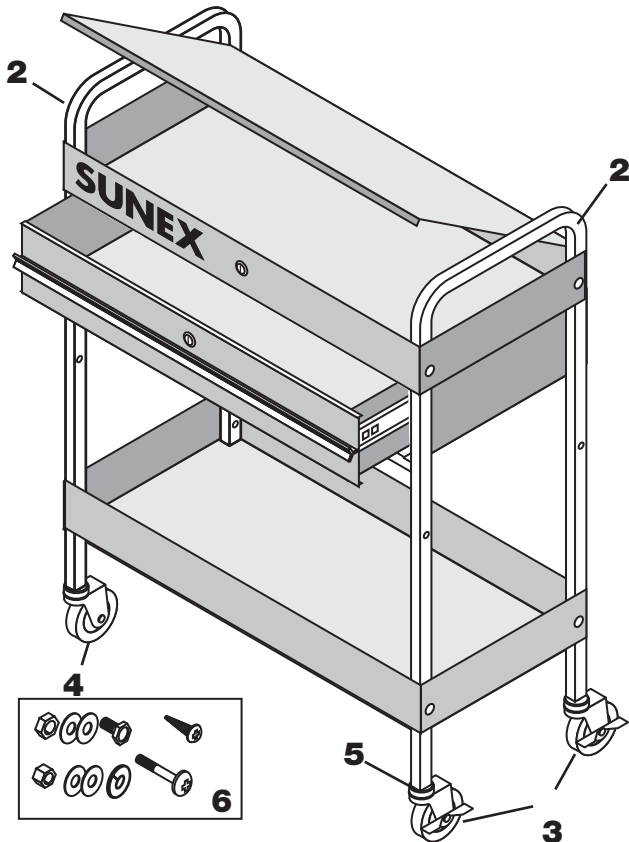
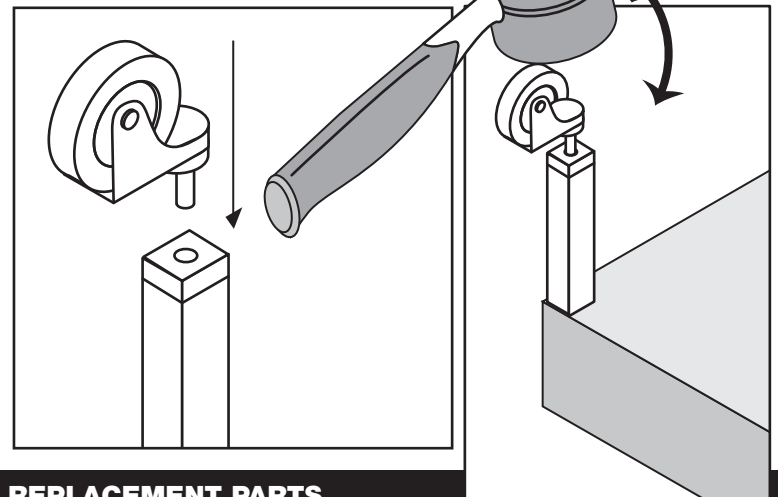
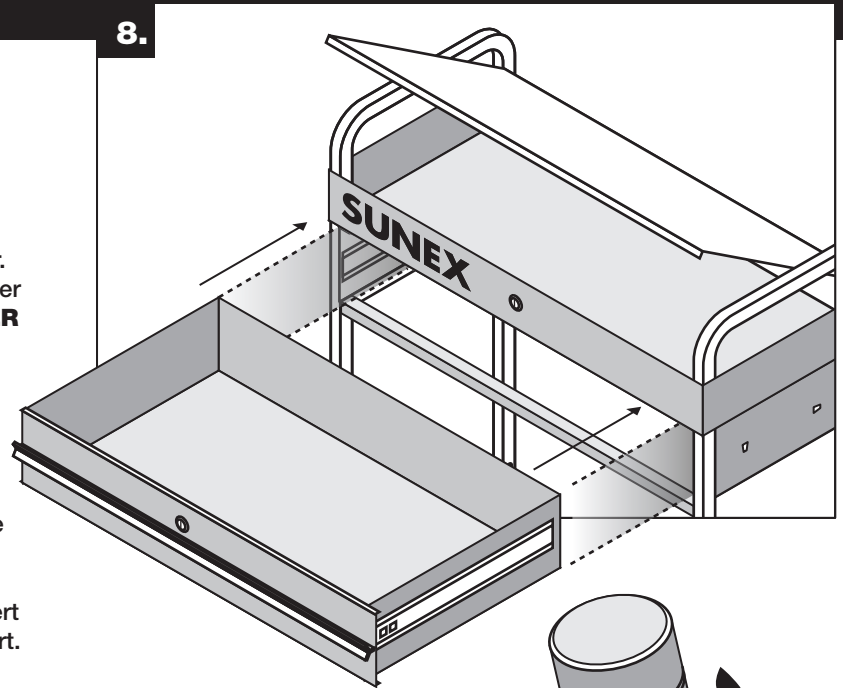
#### PARTS BREAKDOWN

##### Step 8: Inserting locking drawer assembly into the cart.

Before inserting the drawer into the service cart, make sure the roller bearing case is extended all the way out to the black plastic end stop. This will ensure proper alignment during insertion. Hold the roller bearing case in place while inserting the drawer. If necessary, adjust the drawer rails to allow the drawer to slide on smoothly. **DO NOT FORCE THE DRAWER ONTO THE SLIDE RAILS.**

##### Step 9: Attaching casters.

With the keys provided, lock both the locking top assembly and the locking drawer assembly. This will prevent the drawer and top from opening when you turn the cart upside down to attach the casters. Once the top and drawers are locked, turn the cart upside down so the legs are facing up and you can see the plastic inserts where the casters will be inserted. Insert the stem of the caster into the hole in the plastic insert. Using the rubber mallet, hammer the casters in place until the stem is no longer visible. Repeat with the other three casters. **NOTE:** Make sure both locking casters are either on the right hand side or left hand side of the cart. Once all casters are installed, stand the cart upright. Assembly is complete.



#### REPLACEMENT PARTS

Item	Part #	# Req'd	Description
2	RSSC7	2	Chrome Leg/ea.
3	RSSCPLW	2	Locking Caster/ea.
4	RSSCPW	2	Non-Locking Caster/ea.
5	RSSCPP1	1	Set of 4 Plastic Inserts
6	RSSCPHK	1	Bolt Kit (Incl. 8 ea. of 10mm and 14mm bolts, washers, lock washers, nuts and 4 screws)

#### Also Available

RS8006HDL	Chrome Drawer Handle
RS8006HDLB	Black Drawer Handle
RS8006LK	Drawer Lock with Keys
RS8006LK2	Matching Locks with Keys for Drawer and Top/pr.
RSRBSLIDEC2	Clip-On Roller Bearing Slides/pr.
RSDET8PK	Detents for Slide/8pk.