

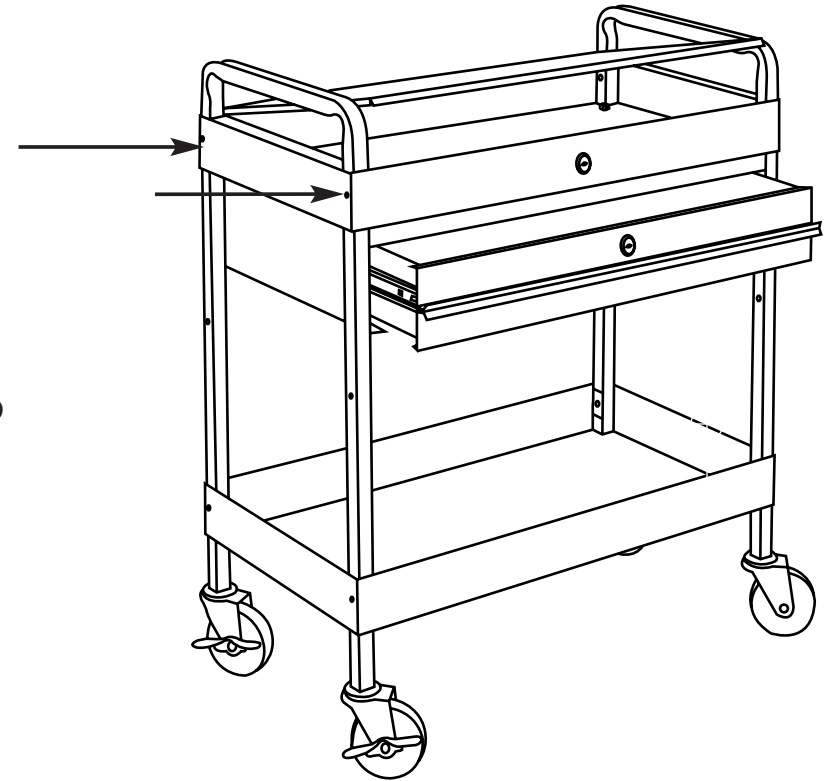


SUNEX®
T O O L S

**8004BK
SIDE SHELF – BLACK**

To install the side shelf:

1. Remove the two top side bolts from either side of the top tray or locking top.
2. Place the side shelf on the edge of the cart. Match the holes on the cart with the holes on the side shelf.
3. Using the screws, washers, and bolts from your original cart, attach the side shelf to the side of the cart.



Discover other workbenches on our website.