

POWER/MODE BUTTON

- Press to turn ON
- Press to change mode:
 1. Spotlight
 2. Flood Light
 3. Spotlight + Flood Light
 4. Red Flood Light
 5. Flashing Red Flood Light
 6. Flashing Flood Light
 7. Off
- After 5 seconds of no mode change, next button press is OFF

CHANGE BRIGHTNESS

- Press & HOLD to increase/decrease brightness
- Light blinks to indicate minimum or maximum brightness level.

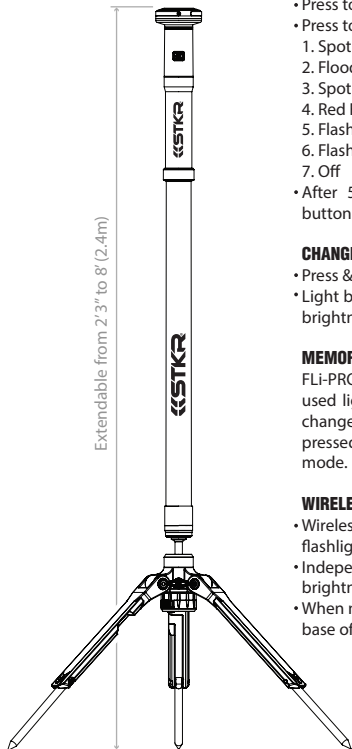
MEMORY RECALL

FLi-PRO Telescoping Light remembers the last used light mode. After 5 seconds of no mode change, next Power Button press is OFF. When pressed again the light will recall last used light mode.

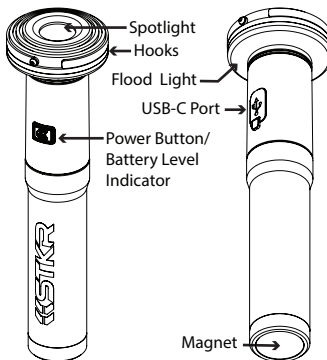
WIRELESS REMOTE

- Wireless remote works up to 15'(4.5m) from flashlight head
- Independently control light modes and brightness
- When not in use magnetically attach remote to base of tripod

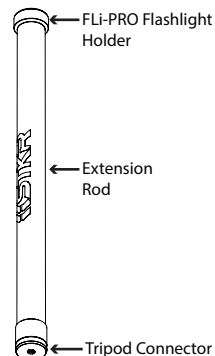
Extendable from 2'3" to 8' (2.4m)



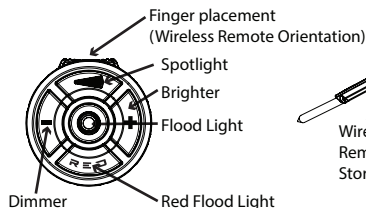
FLI-PRO FLASHLIGHT



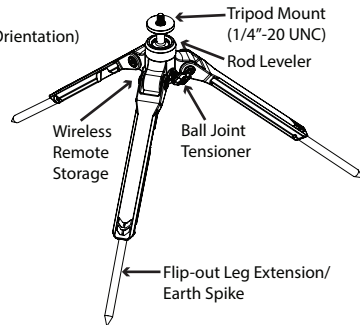
TELESCOPING ROD



WIRELESS REMOTE



TRIPOD



BATTERY LEVEL INDICATOR

Power button battery level indicator LEDs turn on for 5 seconds when light is turned on or off.

100-60%	Green
59-25%	Yellow
24-10%	Red
9-0%	Flashing Red

**CHARGING**

1) Remove USB-C port cover 2) Plug the USB-C cable into the USB-C port 3) plug the other end of the cable into a USB wall charger*, USB car charger*, or any other USB charging device* (e.g. computer). *Not included. *Charger output of up to 3A is recommended. Charger output should NOT exceed 3.6A to prevent battery damage.
 -- Battery Level Indicator lights blink while charging then solid glow when fully charged.
 **Please recharge a stored unit every four months to maintain optimum performance of the lithium-ion batteries and maximize charging levels. Battery excl. from warranty.

REPLACEABLE BATTERY

Over time battery degradation may occur. To replace a worn out cell follow these steps:
 1) Unscrew handle 2) Carefully unplug battery 3) Replace 21700 Lithium-ion rechargeable battery with JST connector (to match original battery capacity use 4000mAh, available on our website.) 4) Plug battery connector into terminal 5) Screw handle back on.

⚠ LED SAFETY WARNING

This product contains high intensity LED devices. To prevent permanent eye damage, do not stare into the light beam at close range.

⚡ ⚠ LIGHTING STRIKE HAZARD WARNING

DO NOT USE during a thunderstorm. Before a thunderstorm approaches ensure the FLI-PRO Telescoping Light is stored safely. If you are caught outside during a thunderstorm DO NOT STAND NEAR the FLI-PRO Telescoping Light. STAY A SAFE DISTANCE AWAY from the FLI-PRO Telescoping Light as it can act as a lightning rod. Use all lightning safety measures. Not following thunderstorm/lighting precautions can result in serious injury or death.

SPECIFICATIONS

Model # 12679

LIGHT

1200 Total Max True-Lumens

Flood Light: 900 Lumens (Daylight White) or Red Light

Spotlight: 400 Lumens (Daylight White)

RUNTIME

Spotlight: 4.5 hours (100% brightness)

Flood Light: 1.5 hours (100% brightness)

Spotlight + Flood Light: 1 hour (100% brightness)

BATTERY

21700 Rechargeable Lithium-ion

Capacity: 4000mAh

OTHER

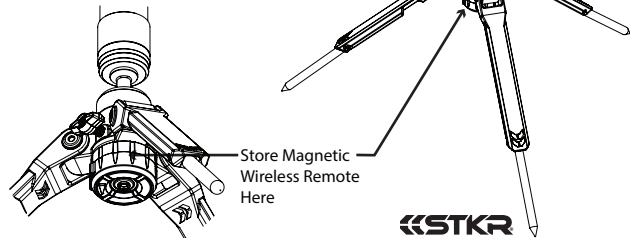
IPX6 Waterproof Rating

Total Weight: 1.9lb (0.86Kg) [battery incl.]

PACKAGE CONTENTS

- [1] FLI-PRO Flashlight
- [1] Telescoping Rod
- [1] Tripod
- [1] Wireless Remote
- [1] USB-A to USB-C Cable
- [1] Carrying Bag

1 Year warranty



STKR