



**WARNING:** To reduce the risk of injury, read the pressure washer instruction manual and the engine instruction manual before operating pressure washer.

## QUICK SETUP GUIDE

(Letters A-C)

**E10**

**E15**

**E85**

**NOTICE:** Use of fuels with greater than 10% ethanol are not approved for use in this product per EPA regulations and will damage the unit and void the warranty.

**A**

### Install the Handle

Slide the handle assembly onto the frame and secure with saddle bolts and knobs.

**B**

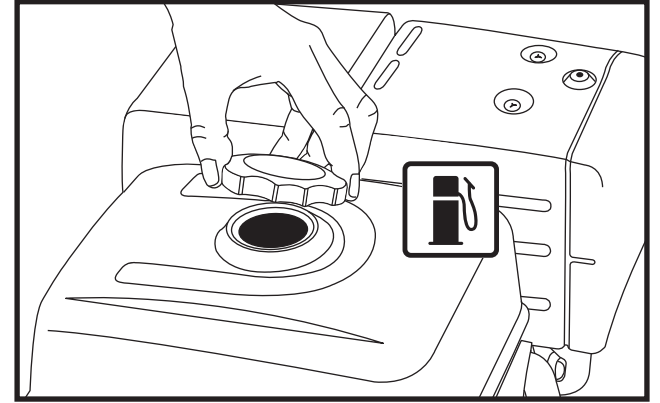
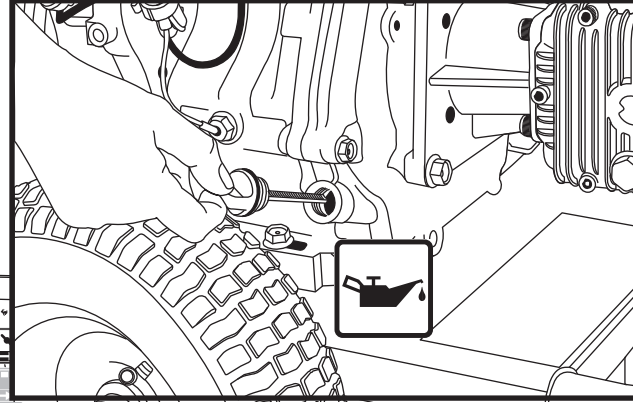
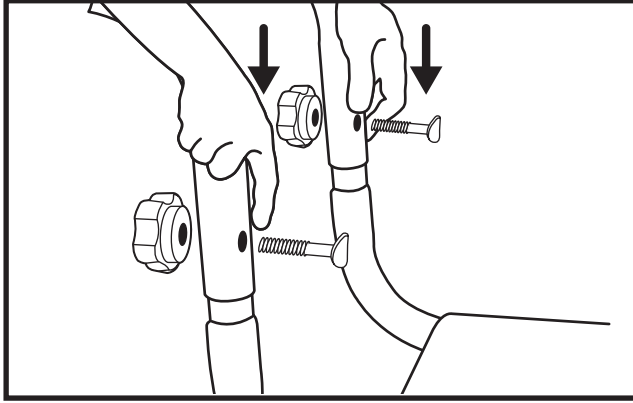
### Add/Check Oil

The engine is shipped without oil. Before starting engine, add the oil provided. Check oil level prior to each use. Refer to Engine Owner's Manual for complete procedure.

**C**

### Add Gasoline

In a well ventilated outdoor area add fresh, high quality, unleaded gasoline with a pump octane rating of 86 or higher. Do not overfill. Wipe up spilled fuel before starting the engine. Refer to Engine Owner's Manual for complete procedure.



### DANGER:

- Never run engine indoors or in enclosed, poorly ventilated areas. Engine exhaust contains carbon monoxide, an odorless and deadly gas.
- Risk of fluid injection and laceration. When using the high-pressure setting, DO NOT allow the high-pressure spray to come in contact with unprotected skin, eyes or with any pets or animals. Serious injury will occur.

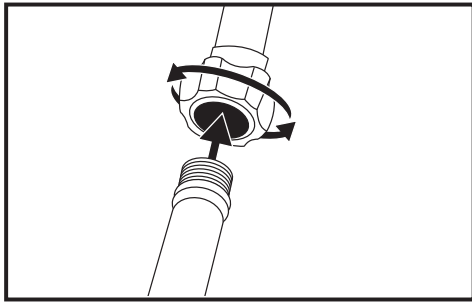
## QUICK START GUIDE

(Numbers 1-12)

**1**

### Connect Garden Hose to Pump

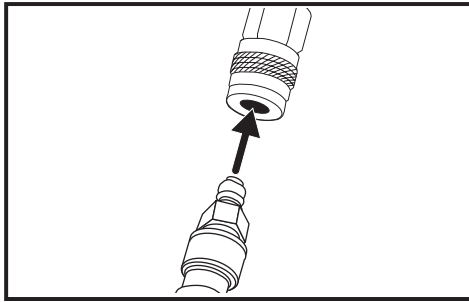
Thread the garden hose to the pump inlet. See Label #1 on the unit.



**2**

### Connect High Pressure Hose to Pump

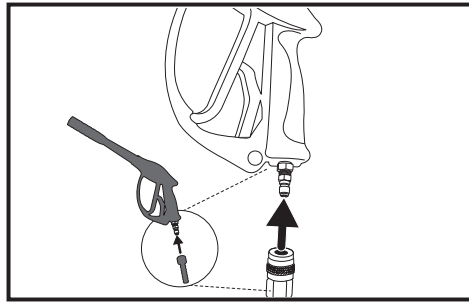
Connect the high pressure hose to the pump outlet. See Label #2 on the unit.



**3**

### Connect High Pressure Hose to Spray Gun

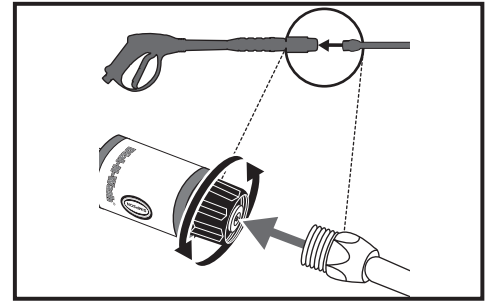
Connect the other end of the high pressure hose to the spray gun.



**4**

### Connect Spray Wand to Spray Gun

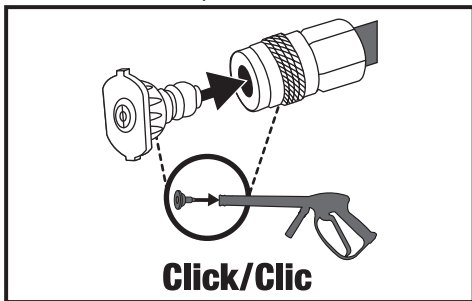
Thread the spray wand into the end of the spray gun.



**5**

### Connect QC Nozzles to Spray Wand

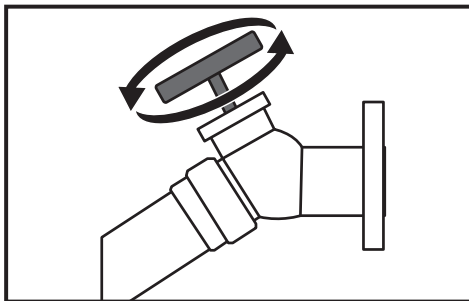
Pull quick connect coupler back and insert nozzle. Release quick connect coupler and twist nozzle to make sure it is secure in coupler.



**6**

### Turn Water Faucet Completely On

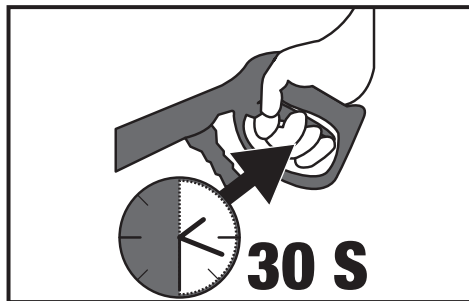
Do not run the unit without water supply connected and turned on. Use Cold Water Only.



**7**

### Release Air from System

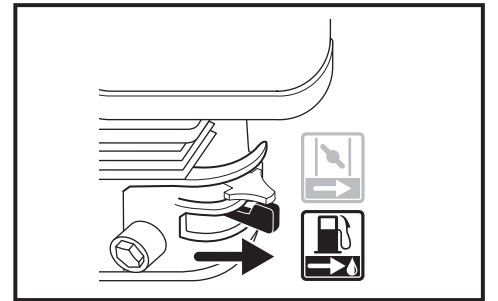
Release all air from pump and high pressure hose by depressing trigger until a steady stream of water is present. Approximately 30 seconds.



**8**

### Verify the Fuel Switch is in the ON Position

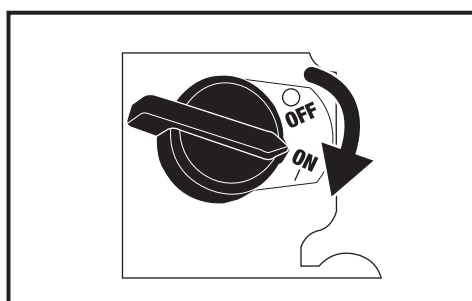
See label #8 on unit.



**9**

### Verify the Engine Switch is turned to the ON Position

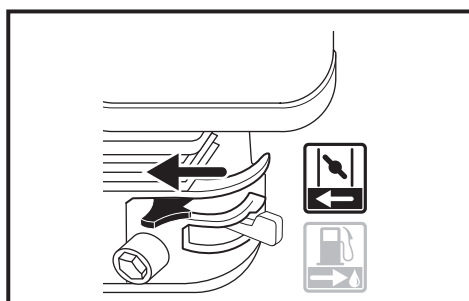
See label #9 on unit.



**10**

### Move the Choke to the CLOSED Position

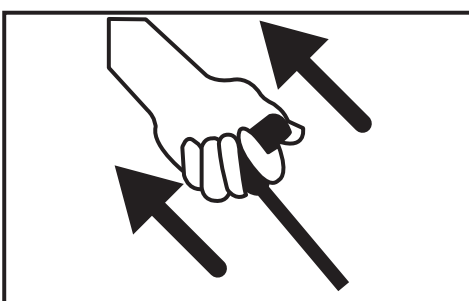
See label #10 on unit.



**11**

### Pull the Recoil Starter Grip

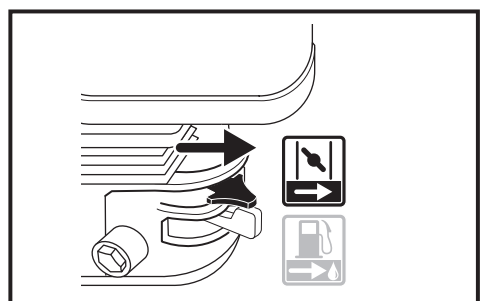
Pull the recoil starter grip to start the engine. See label #11 on unit.



**12**

### Move the Choke to the OPEN Position

Gradually move the Choke to the OPEN Position after engine starts. See label #12 on unit.



**WARNING:** This Guide is not a substitute for reading the instruction manual.

Learn more about outdoor tools and equipment on our website.