



WARNING: To reduce the risk of injury, read the pressure washer instruction manual and the engine instruction manual before operating pressure washer.

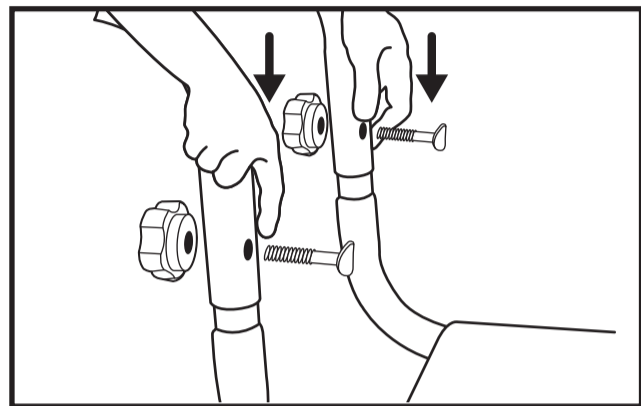
QUICK SETUP GUIDE

(Letters A-C)

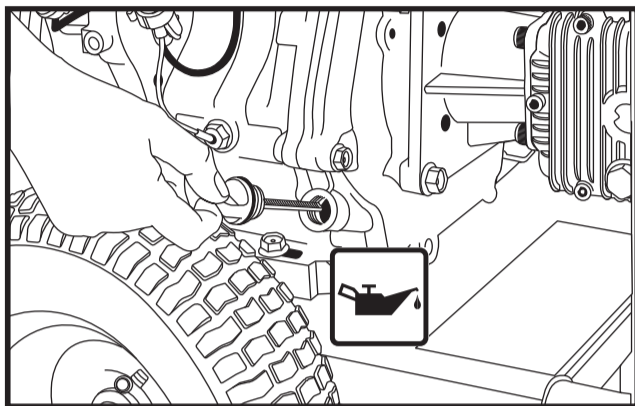
E10 **E15** **E85**

NOTICE: Use of fuels with greater than 10% ethanol are not approved for use in this product per EPA regulations and will damage the unit and void the warranty.

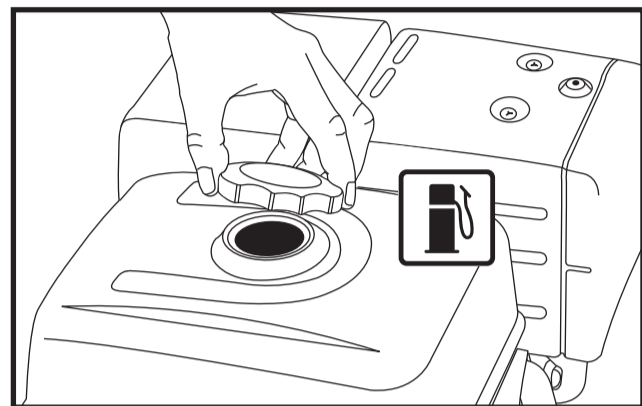
- A Install the Handle**
Slide the handle assembly onto the frame and secure with saddle bolts and knobs.



- B Add/Check Oil**
The engine is shipped without oil. Before starting engine, add the oil provided. Check oil level prior to each use. Refer to Engine Owner's Manual for complete procedure.



- C Add Gasoline**
In a well ventilated outdoor area add fresh, high quality, unleaded gasoline with a pump octane rating of 86 or higher. Do not overfill. Wipe up spilled fuel before starting the engine. Refer to Engine Owner's Manual for complete procedure.



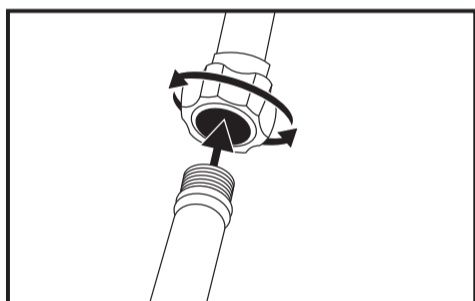
DANGER:

- Never run engine indoors or in enclosed, poorly ventilated areas. Engine exhaust contains carbon monoxide, an odorless and deadly gas.
- Risk of fluid injection and laceration. When using the high-pressure setting, DO NOT allow the high-pressure spray to come in contact with unprotected skin, eyes or with any pets or animals. Serious injury will occur.

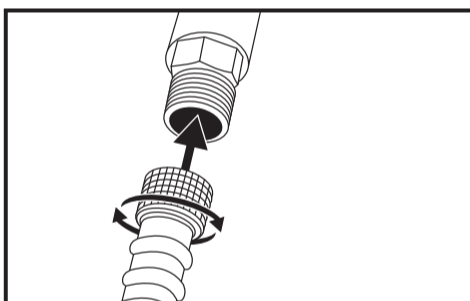
QUICK START GUIDE

(Numbers 1-12)

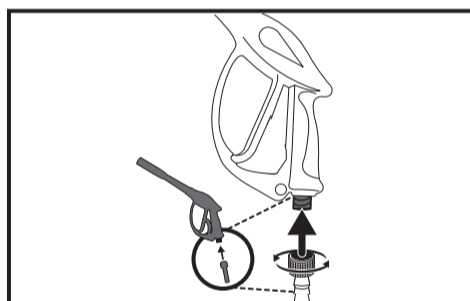
- 1 Connect Garden Hose to Pump**
Thread the garden hose to the pump inlet.



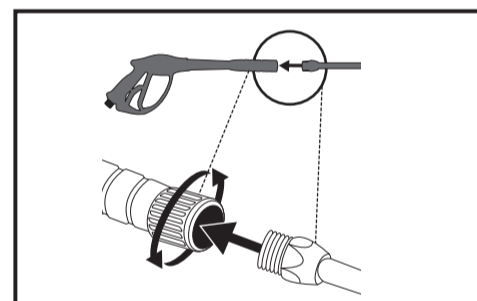
- 2 Connect High Pressure Hose to Pump**
Connect the high pressure hose to the pump outlet.



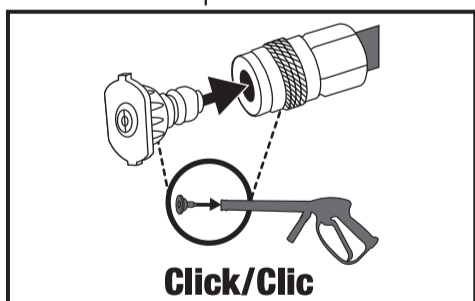
- 3 Connect High Pressure Hose to Spray Gun**
Connect the other end of the high pressure hose to the spray gun.



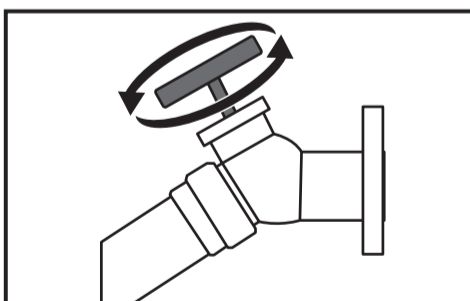
- 4 Connect Spray Wand to Spray Gun**
Thread the spray wand into the end of the spray gun.



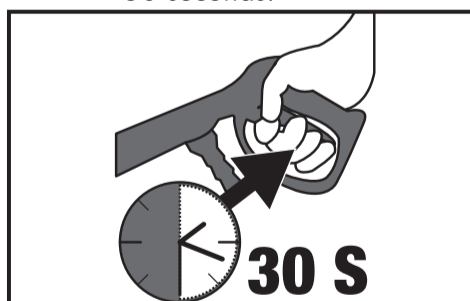
- 5 Connect QC Nozzles to Spray Wand**
Pull quick connect coupler back and insert nozzle. Release quick connect coupler and twist nozzle to make sure it is secure in coupler.



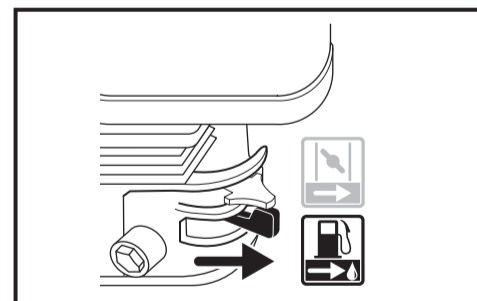
- 6 Turn Water Faucet Completely On**
Do not run the unit without water supply connected and turned on. Use Cold Water Only.



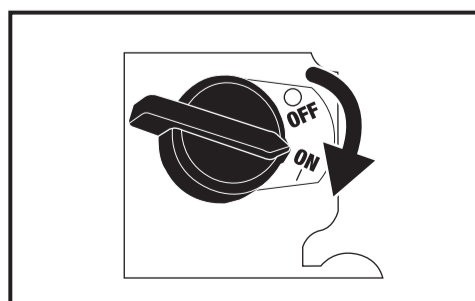
- 7 Release Air from System**
Release all air from pump and high pressure hose by depressing trigger until a steady stream of water is present. Approximately 30 seconds.



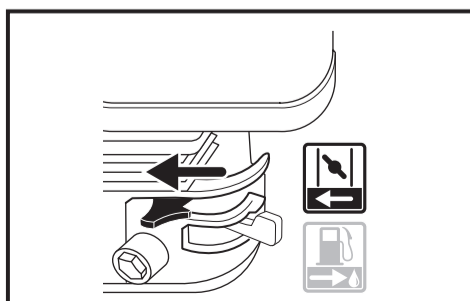
- 8 Verify the Fuel Switch is in the ON Position**



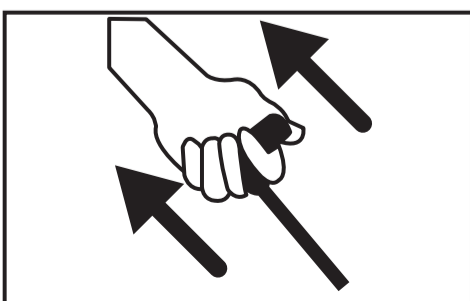
- 9 Verify the Engine Switch is turned to the ON Position**



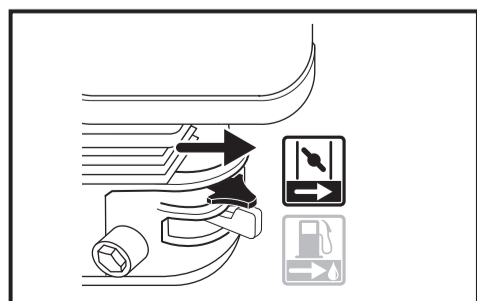
- 10 Move the Choke to the CLOSED Position**



- 11 Pull the Recoil Starter Grip**
Pull the recoil starter grip to start the engine



- 12 Move the Choke to the OPEN Position**
Gradually move the Choke to the OPEN Position after engine starts.



WARNING: This Guide is not a substitute for reading the instruction manual.

Learn more about outdoor tools and equipment on our website.