



WARNING: To reduce the risk of injury, read the pressure washer instruction manual and the engine instruction manual before operating pressure washer.

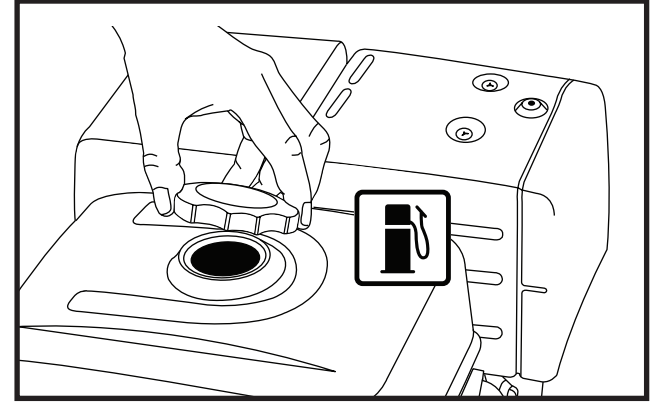
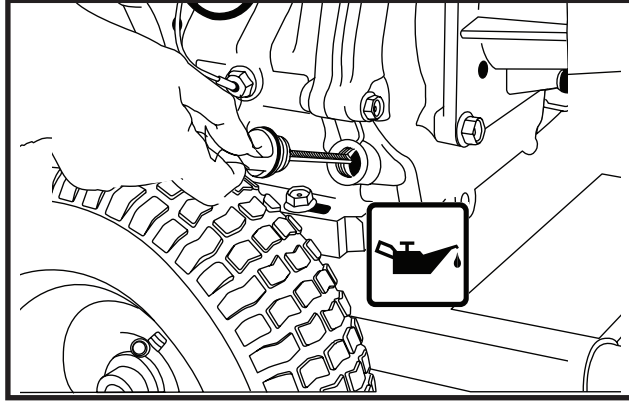
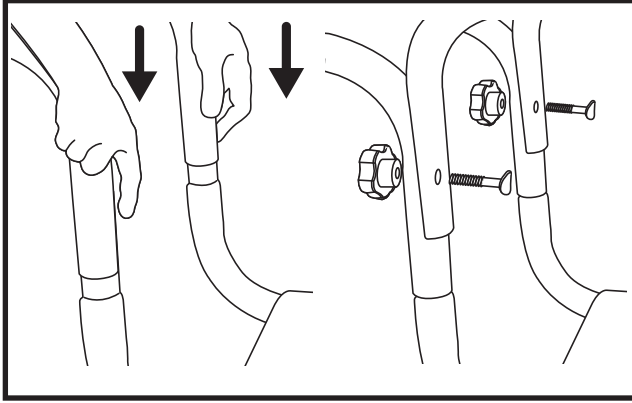
QUICK SETUP GUIDE

(Letters A-C)

A Install the Handle
Slide the handle assembly onto the frame. Align holes in the top handle with the mounting holes in the handle assembly. Secure with saddle bolts and knobs.

B Add/Check Oil
The engine is shipped without oil. Before starting engine, add the oil provided. Check oil level prior to each use. Refer to Engine Owner's Manual for complete procedure.

C Add Gasoline
In a well ventilated outdoor area add fresh, high quality, unleaded gasoline with a pump octane rating of 86 or higher. Do not overfill. Wipe up spilled fuel before starting the engine. Refer to Engine Owner's Manual for complete procedure.



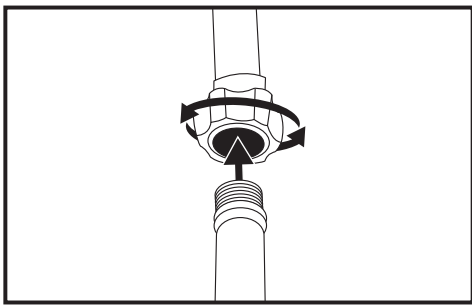
DANGER:

- Never run engine indoors or in poorly ventilated areas. Engine exhaust contains carbon monoxide, an odorless and deadly gas.
- Risk of fluid injection and laceration. When using the high-pressure setting, DO NOT allow the high-pressure spray to come in contact with unprotected skin, eyes or with any pets or animals. Serious injury will occur.

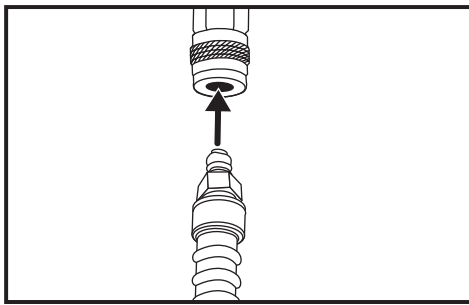
QUICK START GUIDE

(Numbers 1-12)

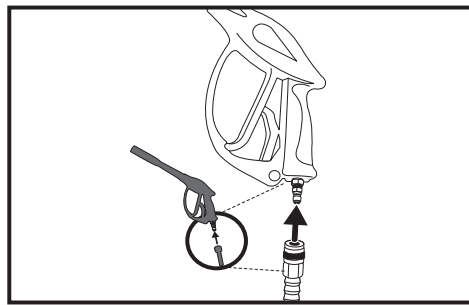
1 Connect Garden Hose to Pump
Thread the garden hose to the pump inlet.



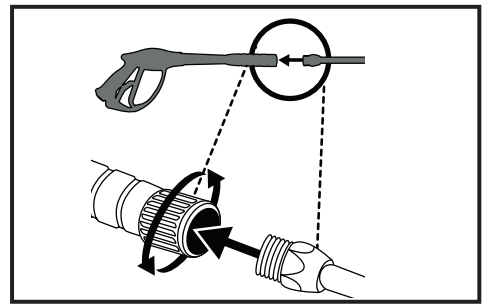
2 Connect High Pressure Hose to Pump
Connect the high pressure hose to the pump outlet.



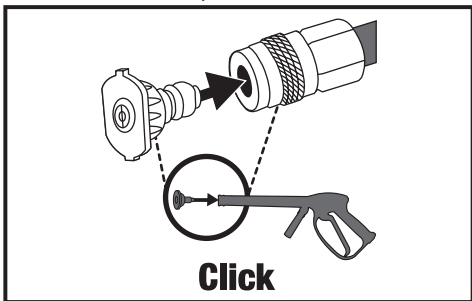
3 Connect High Pressure Hose to Spray Gun
Connect the other end of the high pressure hose to the spray gun.



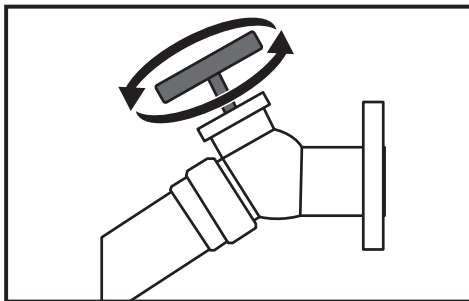
4 Connect Spray Wand to Spray Gun
Thread the spray wand into the end of the spray gun.



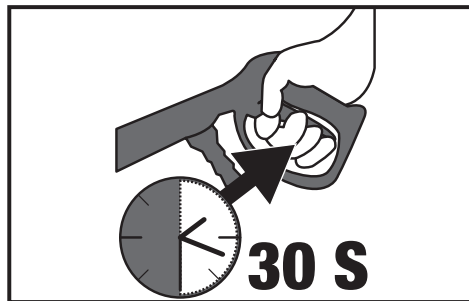
5 Connect QC Nozzles to Spray Wand
Pull quick connect coupler back and insert nozzle. Release quick connect coupler and twist nozzle to make sure it is secure in coupler.



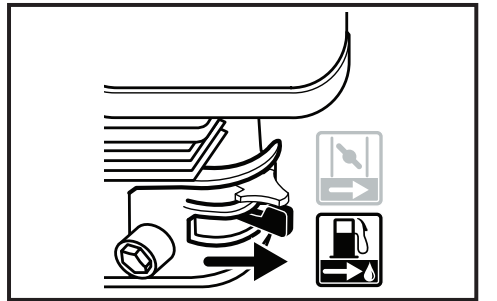
6 Turn Water Faucet Completely On
Do not run the unit without water supply connected and turned on. Use Cold Water Only.



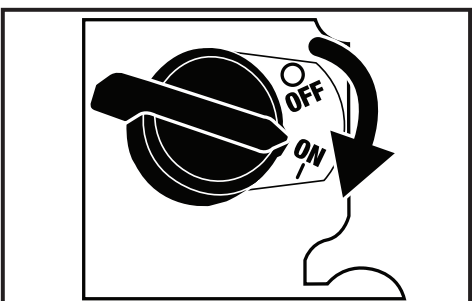
7 Release Air from System
Release all air from pump and high pressure hose by depressing trigger until a steady stream of water is present. Approximately 30 seconds.



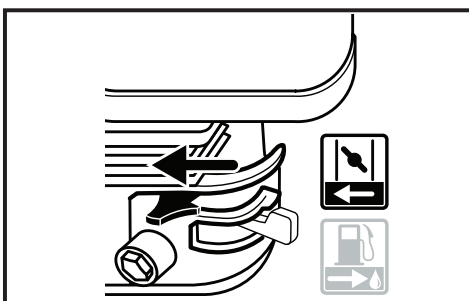
8 Verify the Fuel Switch is turned to the ON Position



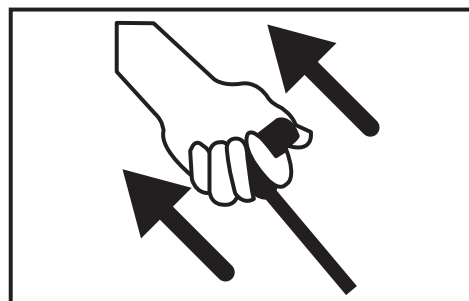
9 Verify the Engine Switch is turned to the ON Position



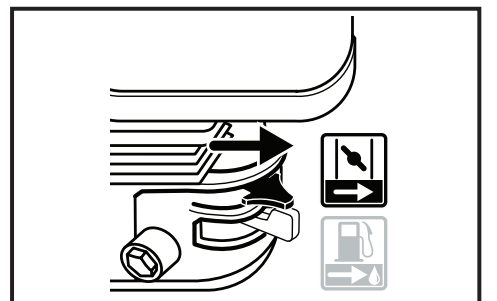
10 Move the Choke to the CLOSED Position



11 Pull the Recoil Starter Grip
Pull the recoil starter grip to start the engine.



12 Move the Choke to the OPEN Position
Gradually move the Choke to the OPEN Position after engine starts.



WARNING: This Guide is not a substitute for reading the operator's manual.

Learn more about outdoor tools and equipment on our website.