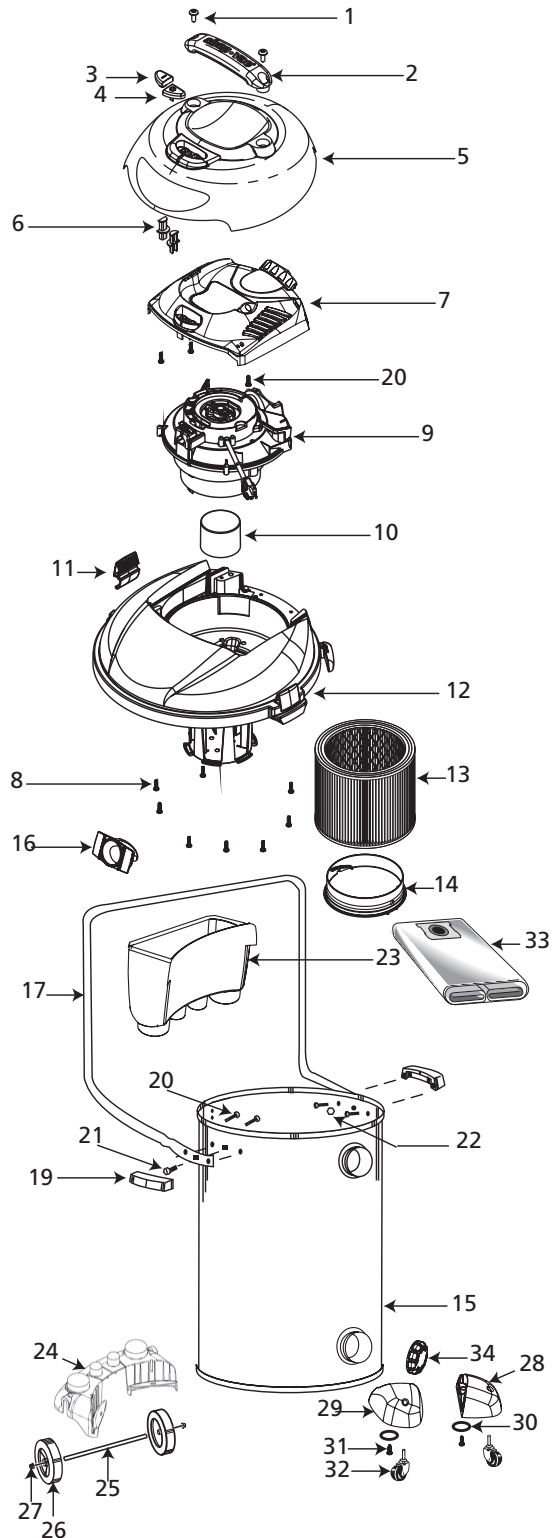


# Model 92M650C



ITEM	DESCRIPTION	PART NO.
1	Screw 1/4 x 1 1/2" Trilobe Ph Pan	1517499
2	Handle	1944475
3	Switch Button - (I)	7414200
4	Switch Button - (O)	7414210
5	Outer Motor Cover Assembly	1944531
6	Switch Button Extension	7414250
7	Motor Cover Assembly	1944435
8	Screw 10 x 3/4" Trilobe	1517699
9	Power Unit Assembly	8136197
10	Float	3545000
11	Lid Latch	7444500
12	Lid Cage & Latch Assembly	1944532
13	Cartridge Filter	9035000
14	Filter Retainer	3008000
15	Tank Assembly	5121597
16	Inlet Deflector	7413100
17	Carriage Handle	2088200
18	Handle and Hardware Pkg *	9355596
19	Side Tank Handle	9355100
20	#10 x 3/4" Screw Hex Head	1503999
21	Bolt 1/4 - 20 x 1/2"	6401299
22	1/4 - 20 Hex Nut	1300199
23	Accessory Basket	7415111
24	Rear Wheel Dolly	3487500
25	Axle	2442400
26	8" Wheel	2425010
27	Cap Nut	4300299
28	Caster Foot A	8568101
29	Caster Foot B	8568111
30	Washer	2781018
31	Screw #10 x 1" SL Hex Head	1509699
32	Caster	6772200
33	Collection Bag	9067200
34	Drain Cover	7446800



\* Replacement parts may differ from original equipment.  
 \* Includes 19-22

When it comes to quality wet and dry vacuums, Shop-Vac is the brand you can depend on.