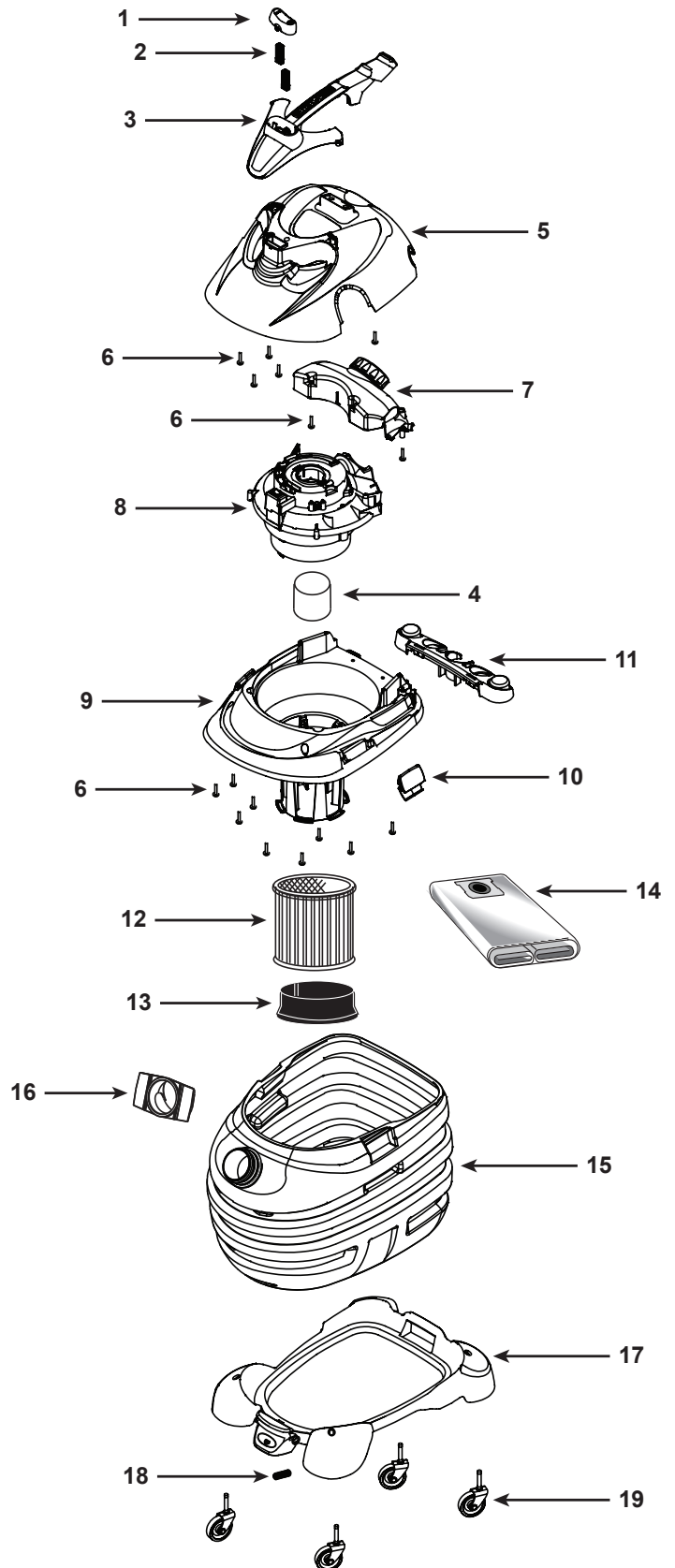


Model CH87-650C

ITEM	DESCRIPTION	PART NO.
1	Switch Rocker	8230400
2	Switch Extension	7414251
3	Handle (Includes 1 & 2)	1944848
4	Float	3545000
5	Motor Cover	1944849
6	Screw 10 x 3/4 Trilobe, Twin Lead	1517699
7	Blower Chamber Assembly	7417820
8	Power Unit Assembly	8136697
9	Lid Cage & Latch Assembly	3549620
10	Lid Latch	7445700
11	Tool Holder	3755700
12	Cartridge Filter	90350
13	Filter Retainer	3008000
14	Disposable Filter Bag	90671
15	Tank Assembly	3489501
16	Inlet Deflector	7413120
17	Dolly Assembly	1944850
18	Compression Spring	2803299
19	Caster	6771200

* Replacement parts may differ from original equipment.



When it comes to quality wet and dry vacuums, Shop-Vac is the brand you can depend on.