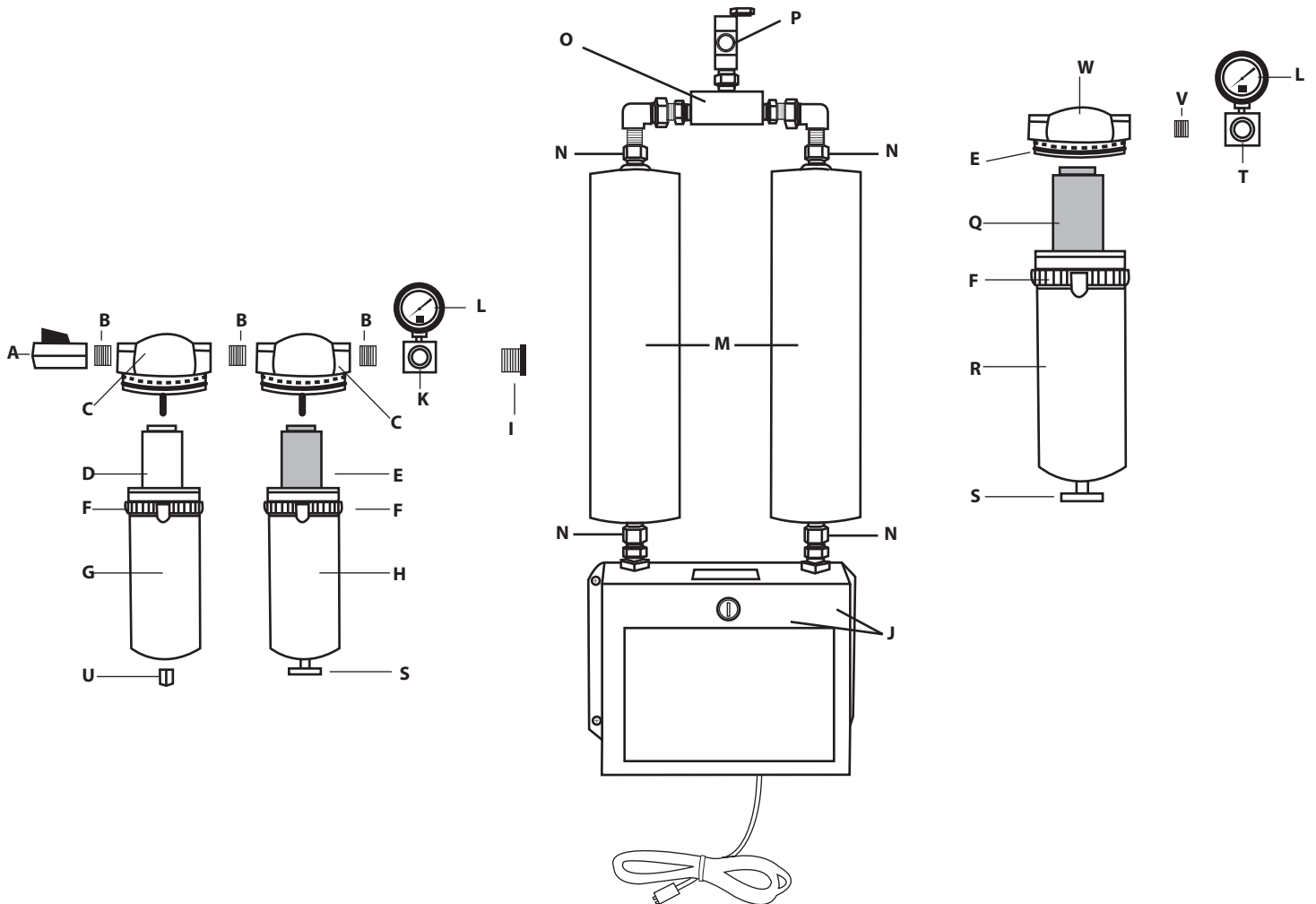


PERF-50 Parts Breakdown



Description	Part #	Description	Part #
A 1/2" Ball Valve	BV-051	L Pressure Gauge	PG -160
B 1/2" Nipple	MPF-002	M Desiccant Tower	RTI-CAN-15
C Head Assembly	WIL-001	N Brass Fitting/Screen	RTI-SF-4
D 1st Stage Element	3P-090	O Brass Shuttle Valve	LTC-017
E 2nd Stage Element	3C-090	P Indicator Eye	RTI-SG-651
F Bowl Ring	WIL-013	Q Final Stage Element	3C-060
G 1st Stage Bowl	WIL-012	R Filter Bowl	N34-95-205
H 2nd Stage Bowl	WIL-012	S Petcock Drain	PC-02
I Swivel Nut	-----	T 1/2" Regulator	NAR4000-N04
J Electric Valve	SY9540	U Auto Drain	N32-95-979
K 3/4" Regulator	NAR5000-N06	V 3/8" Nipple	MPF-006
		W Head Assembly	WIL-040