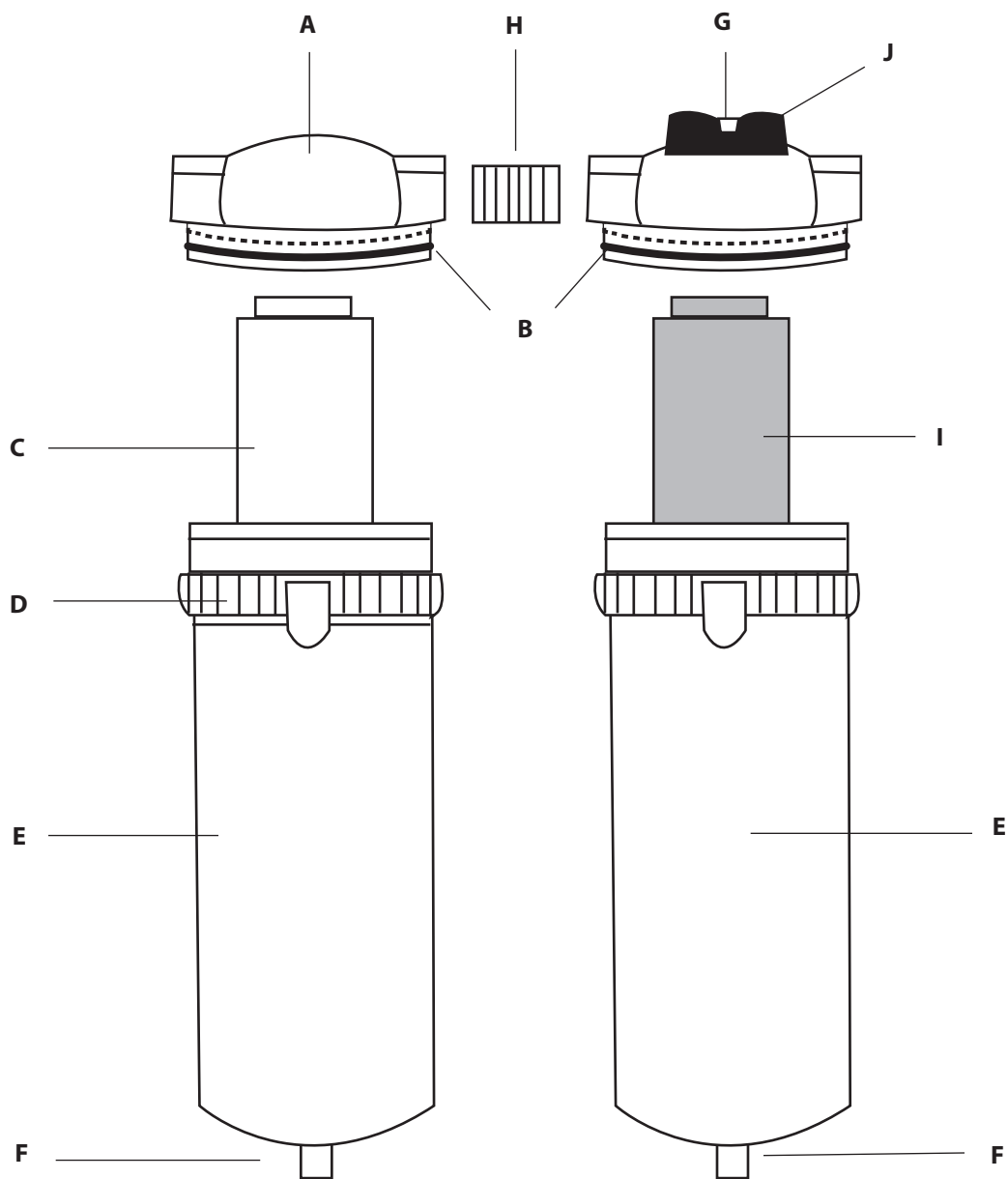


EX208i Parts Breakdown



Description	Part #
A Filter Head Assembly	WIL-007
B O-ring for Bowl	N32-95-256
C Replacement Element	1P-150
D Bowl Ring (only)	WIL-013
E Bowl Assembly w/Drain	N34-15-178
F Auto Drain	N32-95-979
G Filter Head Assembly	WIL-065

Description	Part #
H 1" Nipple	MPF-008
I Replacement Element	3C-150
J Diff Pressure Indicator	N32-W1-DPi