

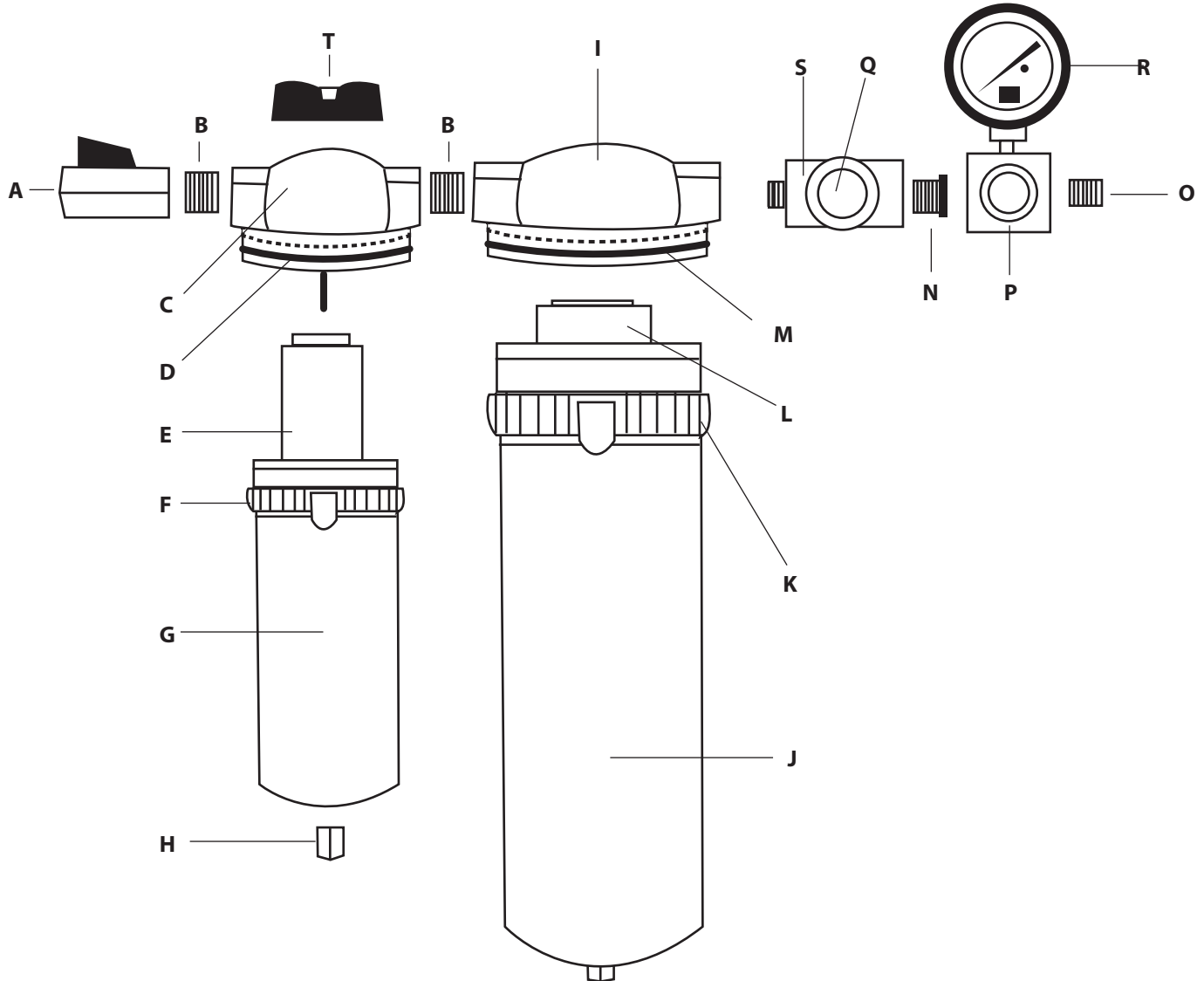


TOOLS & GARAGE

Reading Technologies, Inc

"Your Source for Dry Air!"™

E4000 Parts Breakdown



Description	Part #	Description	Part #
A 1/2" Ball Valve (Shut off)	BV-050	K 2nd Stage Bowl Ring (only)	WIL-013
B 1/2" Nipple	Ab032-1/2	L Desiccant Cartridge	DE-401
C 1st Stage Head (NO Indicator)	WIL-040	M 2nd Stage O-ring	N32-95-256
C 1st Stage Head Assembly (w/Indicator)	WIL-059	N 1/2" to 1/4" Reducer	MPF-004
D 1st Stage O-ring	N32-97-257	O 1/4" Nipple	MPF-001
E 1st Stage Carbon Element	4P-060	P 1/4" Regulator	R79
F 1st Stage Bowl Ring (only)	WIL-035	Q Indicator Eye with Paper	RTI-SG-651
G Bowl Assembly w/ Drain	N34-95-201	R Pressure Gauge 160 PSI	PG-160
H Auto Drain	N32-95-979	S Indicator Assembly (Moisture)	RTI-04-CK
I 2nd Stage Head Assembly	WIL-001M	T Pressure Differential Indicator	N32-W1-DPI
J 2nd Stage Bowl	N34-15-180		