



# **FREE-STANDING BIKE RACK**

**USER GUIDE**  
SKU: RGFSBR4

**HOLDS  
4 BIKES**



# FREE-STANDING BIKE RACK

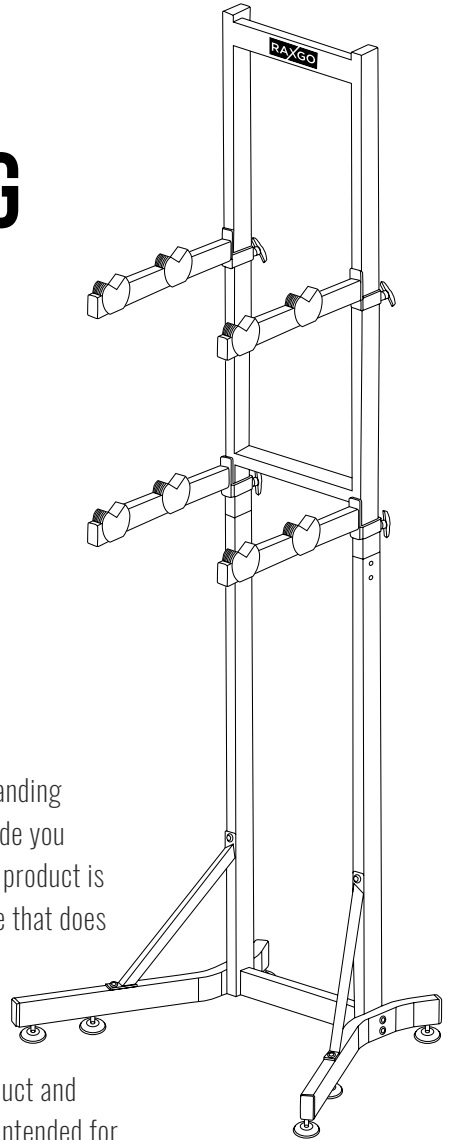
## USER GUIDE

SKU: RGFSBR4

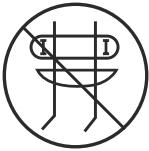
Thank you for purchasing the RaxGo™ Free-Standing Bike Rack. This User Guide is intended to provide you with guidelines to ensure that operation of this product is safe and does not pose risk to the user. Any use that does not conform to the guidelines described in this User Guide may void the limited warranty.

Please read all directions before using the product and retain this guide for reference. This product is intended for household use only. It is not intended for commercial use.

This product is covered by a limited one-year warranty. Coverage is subject to limits and exclusions. See warranty for details.



## SAFETY PRECAUTIONS



This rack is intended for use with bicycles only. Do not attempt to mount other objects/persons on the rack.



The maximum carrying capacity of this rack is 45 lbs. (20 kg) per bike, with a maximum of four (4) bikes permitted, totaling 180 lbs. (80 kg). Do not exceed the weight limit on the bike rack, or else you could damage your bikes and/or the rack.



Do not attempt to modify the rack or perform repairs on your own. If the rack is faulty or becomes damaged, you should take it to an authorized serviceperson for repairs.



Do not attempt to suspend more than four (4) bikes at a time from this mount. Overloading the mount could result in damage to the mount and/or your bikes.

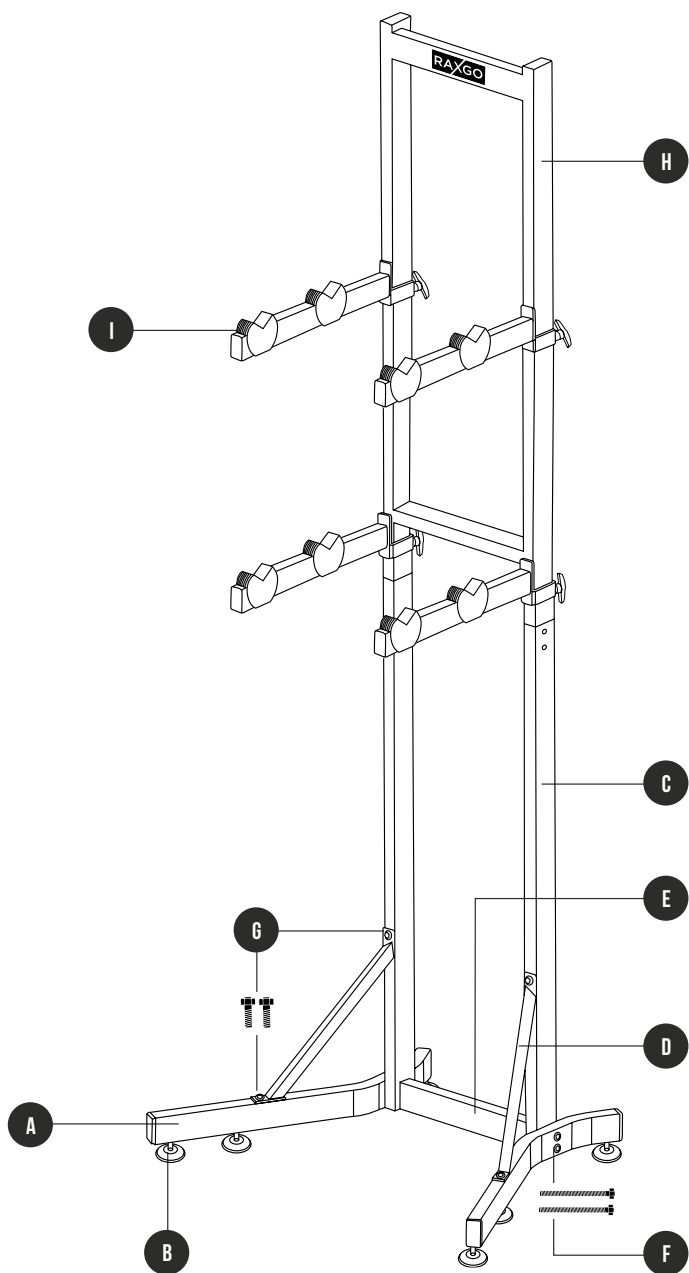


Children should not be permitted to assemble or operate this mount.

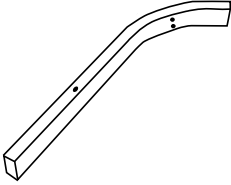


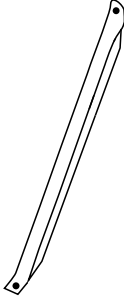
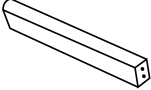
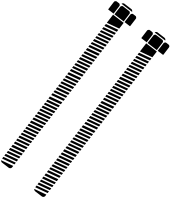


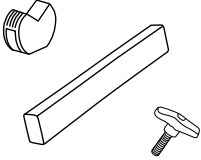


Always make sure this mount is installed on a stable, flat surface in an area that is free from heavy shocks or vibrations, to avoid the risk of the mount falling over and causing injuries and/or damage.

# PARTS LIST



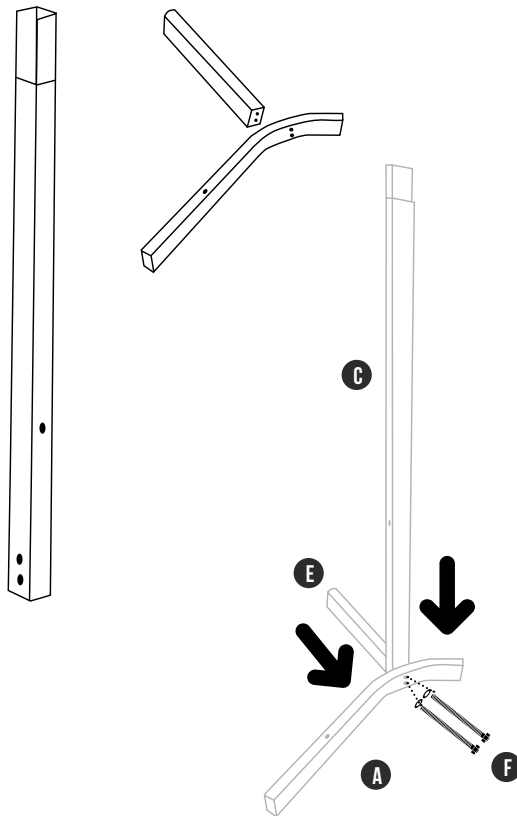
# PARTS LIST

<p><b>A</b></p> 	<p><b>B</b></p> 	<p><b>C</b></p> 			
<p>Base Legs</p>	<p><b>2 PCS</b></p>	<p>Base Screw-In Feet</p>	<p><b>6 PCS</b></p>	<p>Lower Support Columns</p>	<p><b>2 PCS</b></p>
<p><b>D</b></p> 	<p><b>E</b></p> 	<p><b>F</b></p> 			
<p>Angular Support Braces</p>	<p><b>2 PCS</b></p>	<p>Lower Crossbar with Threaded Holes</p>	<p><b>1 PC</b></p>	<p>3" Bolts and Washers</p>	<p><b>4 PCS</b></p>
<p><b>G</b></p> 	<p><b>H</b></p> 	<p><b>I</b></p> 			
<p>1/2" Bolts and Washers</p>	<p><b>4 PCS</b></p>	<p>Upper Support Column</p>	<p><b>1 PC</b></p>	<p>Mounting Arms w/ Locking Knobs &amp; Rubber Cradles</p>	<p><b>8 PCS</b></p>

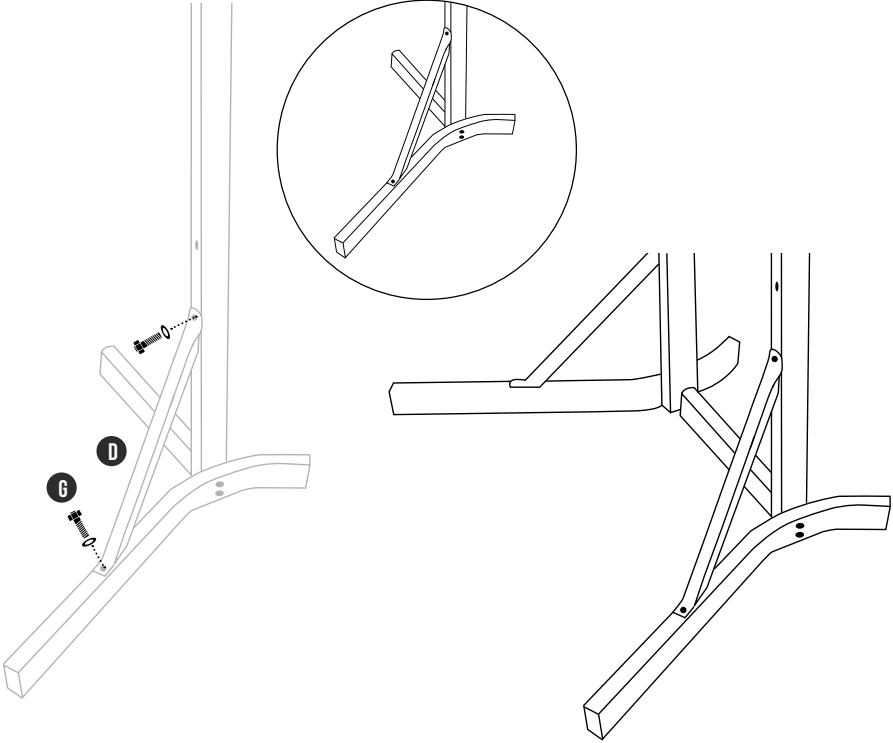
# ASSEMBLY INSTRUCTIONS

**REQUIRED TOOLS:** 10 mm or adjustable wrench

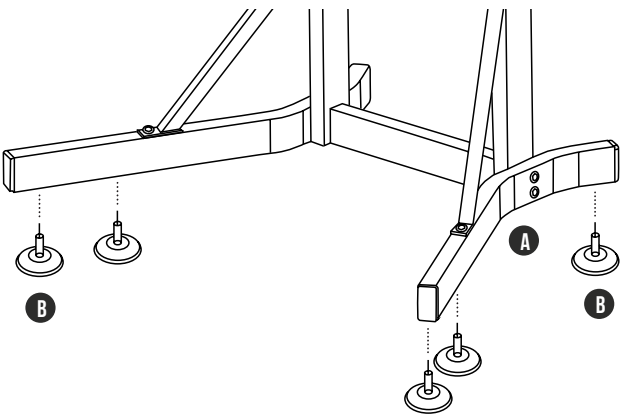
1. Connect the base leg (Part A) to the lower support column (Part C) and the lower crossbar (Part E) using the 3" bolts and washers (Part F). Repeat on the other side with the remaining base leg (Part A) and lower support column (Part C).



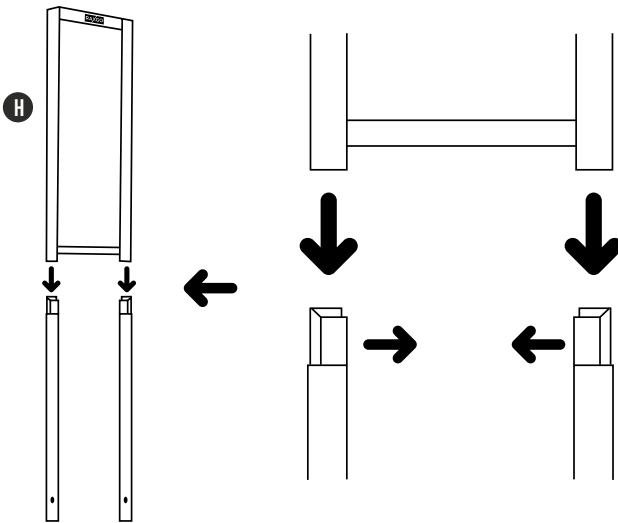
2. Attach the angular support braces (Part D) using the 1/2" bolts and washers (Part G) as shown.



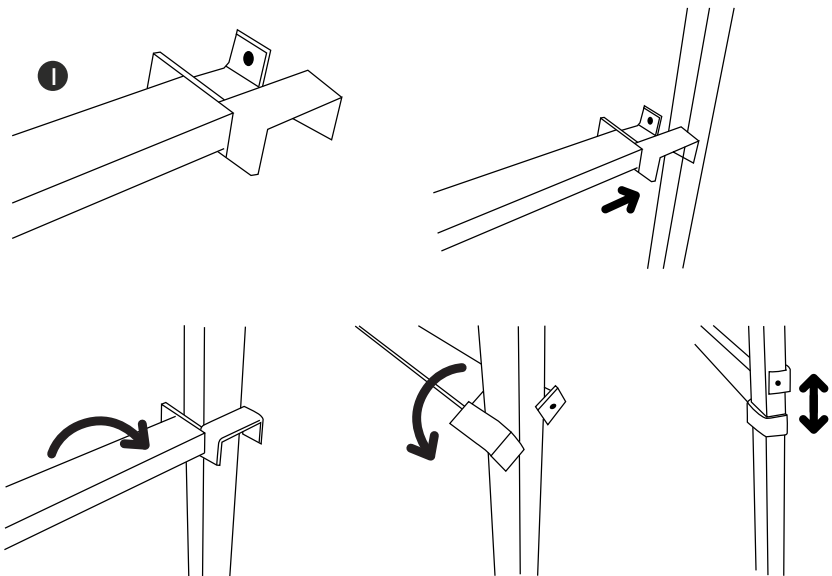
3. Screw the base feet (Part B) into the designated spots on the base legs (Part A)



4. Connect the upper support column (Part H) to the assembled base.

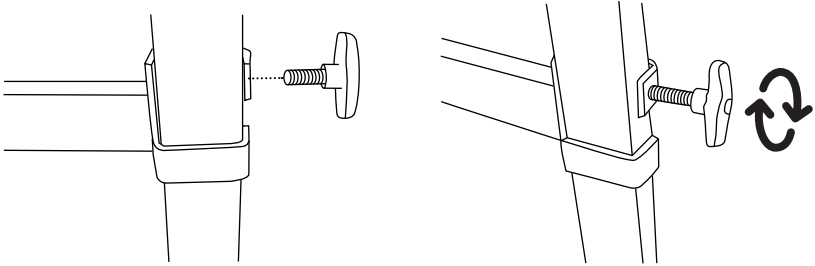


5. Hold the mounting arms (I) sideways, slide them on to the upper support column (H) and rotate them 90° so the angled arms are flat against the support column as shown. Make sure the notched V-shape in the rubber cradle is facing upwards.





6. Tighten the locking knobs on the end so that the mounting arms are secure.



NOTE: Mounting arms may be positioned at varying heights to accommodate the frame of your specific bicycle.



## **NEED ASSISTANCE? WE WANT TO HEAR FROM YOU!**

**[info@supportcbp.com](mailto:info@supportcbp.com)  
1-833-722-0121**

RAXGO is a trademark of C&A IP Holdings, LLC in the US.

All other products, brand names, company names, and logos are trademarks of their respective owners, used merely to identify their respective products, and are not meant to connote any sponsorship, endorsement or approval.

Distributed by C&A Marketing, Inc., 114 Tived Lane East, Edison, NJ 08837. Made in China.

© 2020. C&A IP Holdings, LLC. All Rights Reserved.