



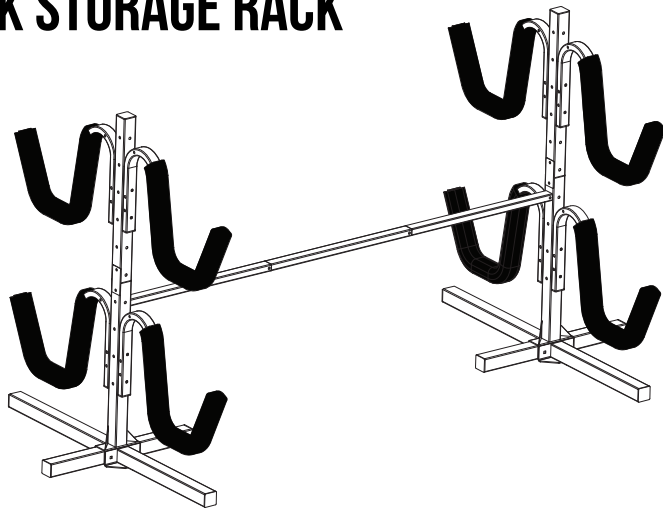
DELUXE FREESTANDING FOUR-KAYAK STORAGE RACK

SKU: RAXFSKR4
User Guide



DELUXE FREESTANDING FOUR-KAYAK STORAGE RACK

SKU: RAXFSKR4
User Guide

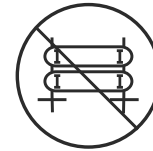


Thank you for purchasing the RaxGo™ Deluxe Freestanding Four-Kayak Storage Rack. This User Guide is intended to provide you with guidelines to ensure that operation of this product is safe and does not pose risk to the user. Any use that does not conform to the guidelines described in this User Guide may void the limited warranty.

Please read all directions before using the product and retain this guide for reference. This product is intended for household use only. It is not intended for commercial use.

This product is covered by a limited one-year warranty. Coverage is subject to limits and exclusions. See warranty for details.

SAFETY PRECAUTIONS



This rack is intended for use with kayaks only. Do not attempt to mount other objects/persons on the rack.



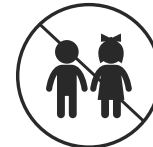
The total capacity of this rack is a maximum of four (4) kayaks permitted, totaling 220.5 lbs. (100 kg). Do not exceed the weight limit on the kayak rack, or else you could damage your kayak and/or the rack.



Do not attempt to modify the rack or perform repairs on your own. If the rack is faulty or becomes damaged, you should take it to an authorized serviceperson for repairs.



Do not attempt to suspend more than four (4) kayaks at a time from this mount. Overloading the mount could result in damage to the mount and/or your kayaks.

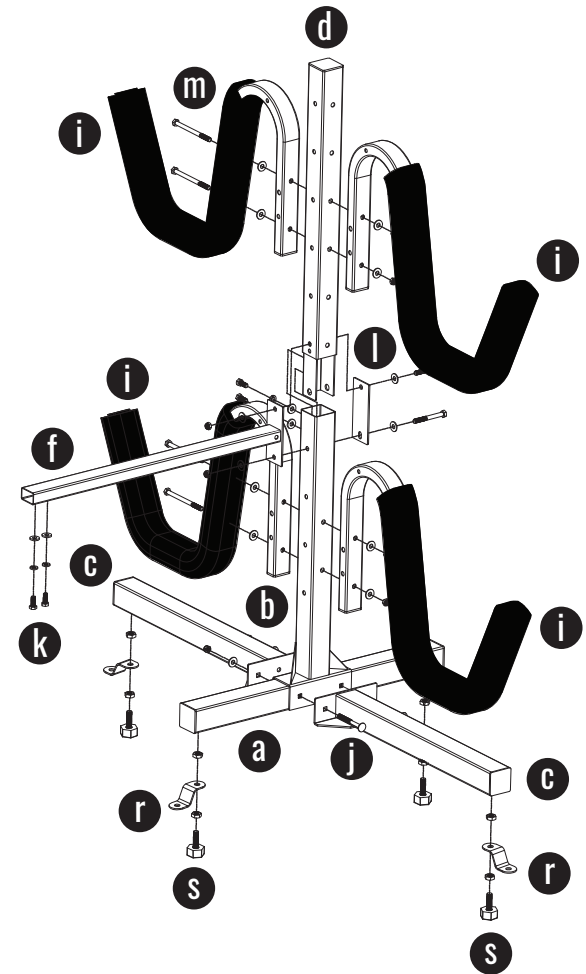
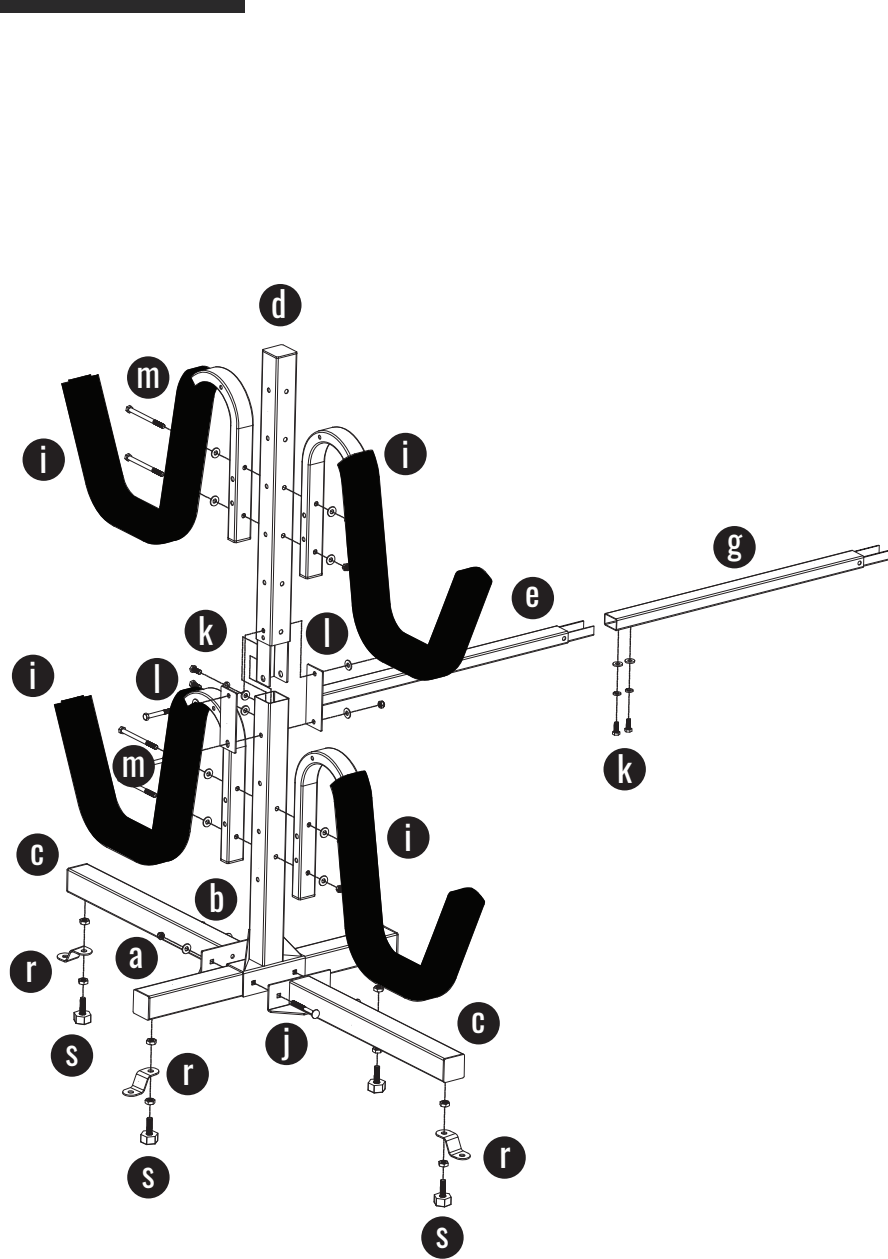


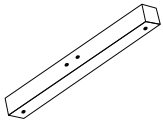
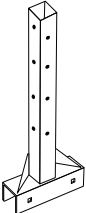
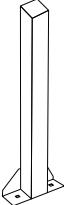
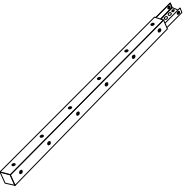
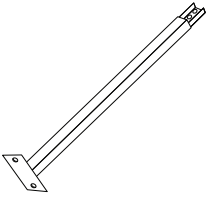
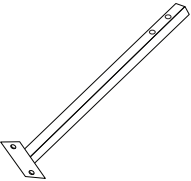
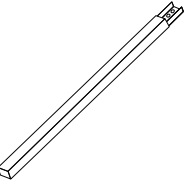
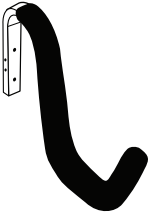

Children should not be permitted to assemble or operate this mount.


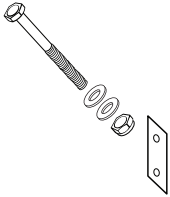


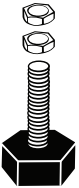
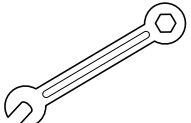


Always make sure this mount is installed on a stable, flat surface in an area that is free from heavy shocks or vibrations, to avoid the risk of the mount falling over and causing injuries and/or damage.

PARTS LIST

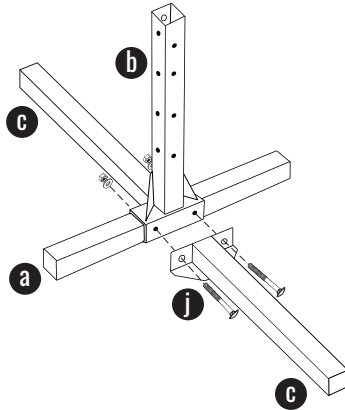


PARTS LIST			
			
Bases	2 PCS	Base Posts	2 PCS
		Base Legs	4 PCS
			
Posts	2 PCS	Cross Bar End (Male)	1 PC
		Cross Bar End (Female)	1 PC
			
Central Cross Bar	1 PC	Arms	8 PCS
		Carriage Bolts (3")	4 PCS

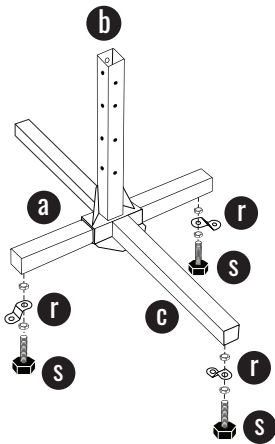
PARTS LIST			
			
$\frac{3}{4}$ " Hex Bolts	8 PCS	2 $\frac{3}{4}$ " Hex Bolts & Plates	6 PCS
		4 $\frac{1}{2}$ " Hex Bolts	8 PCS
			
Anchor Brackets	8 PCS	Leveling Feet	8 PCS
		Wrenches	2 PCS
<p>NOTE: Washers and lock nuts come connected to the bolts they correspond to in the packaging.</p>		<p>NOTE: For your convenience, part labels are marked on the blister packaging to help you match the part to the corresponding diagram.</p>	

ASSEMBLY INSTRUCTIONS

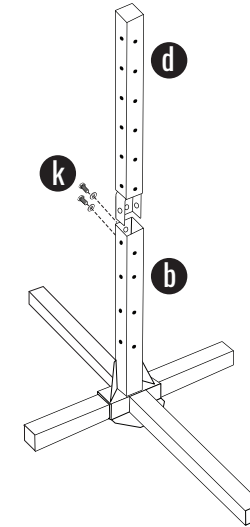
1. Locate parts a, b, and c. Make sure the welded nuts on the bottom of the bases (a) are facing down. Fit the base post (b) over the top of the base (a) and align two (2) of the base legs (c) with the two (2) holes on the side of base (a) and on the bottom of base post (b). Use the carriage bolts (j) with washers and lock nuts to connect the base legs (c) to the base (a) as shown in the parts diagram below. Repeat this process for the second set of a, b, and c parts.



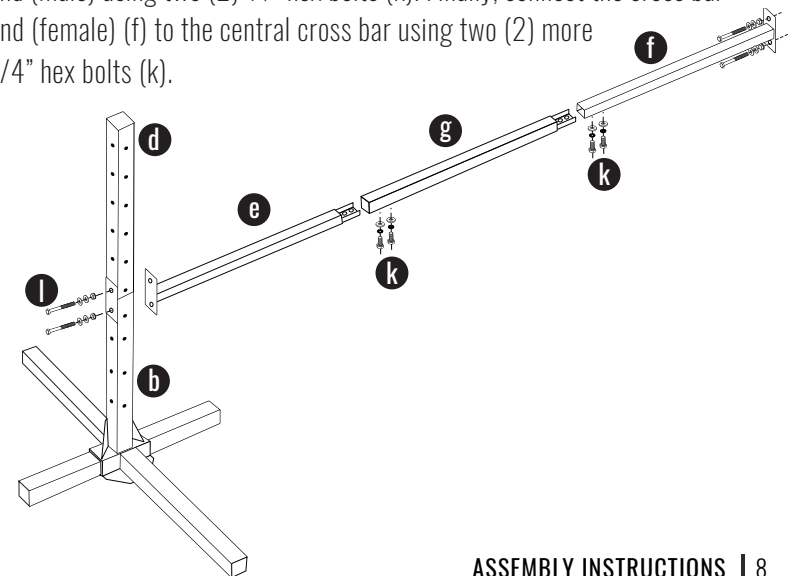
2. Attach the leveling feet (s) by placing two (2) hex nuts (that come with each leveling foot) and an anchor bracket (r) on each one. Make sure each anchor bracket (r) has one (1) hex nut on both sides of it. Lean the assembled base to one side and attach the leveling feet (s) to the welded nuts on the underside of the base (a) and base legs (c). Repeat this process on the second assembled base.



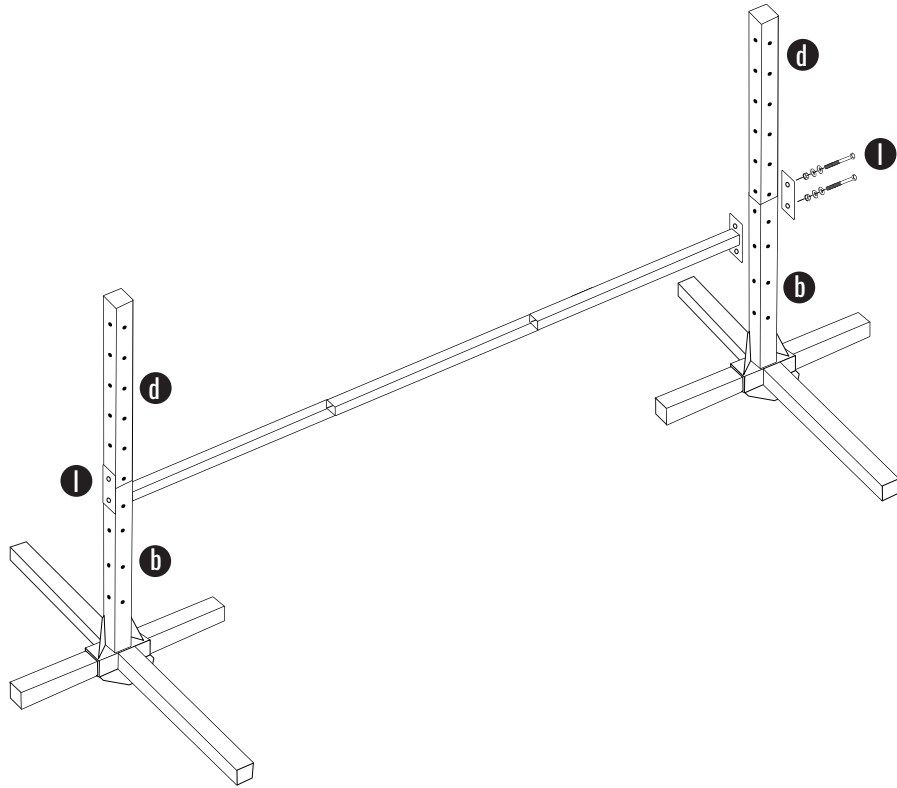
3. Insert the post (d) into the base post (b) making sure the double holes on one side of the post (d) and base post (b) line up together. Using two (2) 3/4" hex bolts (k), each with a locking washer and a thick washer, attach the post (d) to the base post (b). Repeat this process on the second assembled base post.



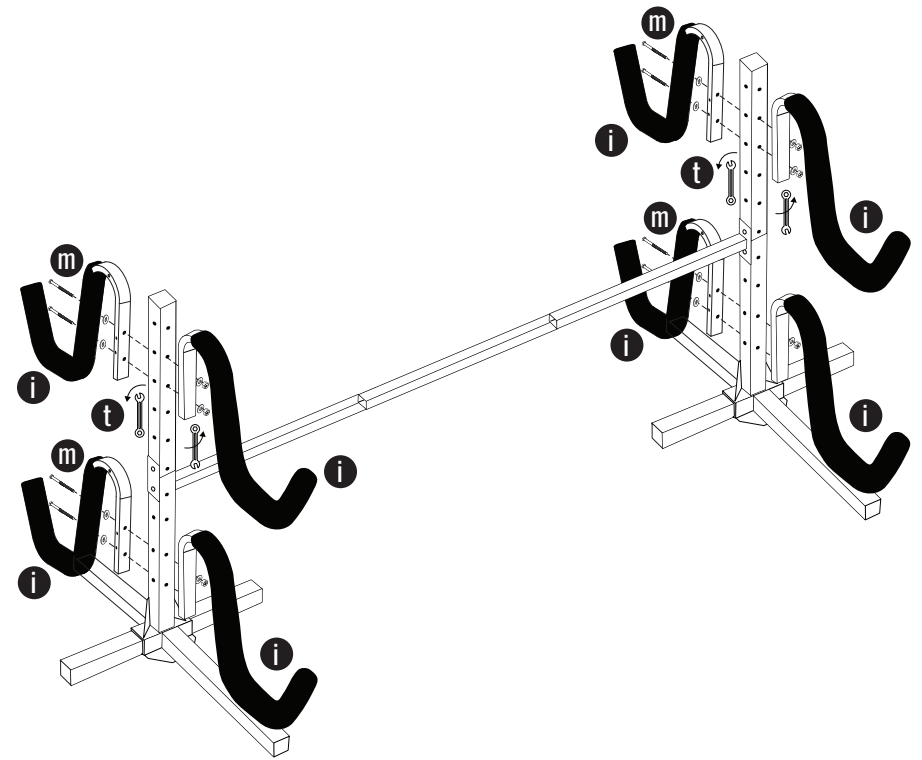
4. Place the plate (l) on one side of the post (d) and the base post (b) and place the cross bar end (male) (e) on the opposite side. Use two (2) 2 3/4" hex bolts (l) to attach the plate (l) and the cross bar end (male) (e) to the holes where the post and base post connect. Then, connect the central cross bar (g) to the cross bar end (male) using two (2) 3/4" hex bolts (k). Finally, connect the cross bar end (female) (f) to the central cross bar using two (2) more 3/4" hex bolts (k).



5. Attach the assembled cross bar from step 4 to the second assembled base from steps 1-3, using the second plate (l), and two (2) of the 2 3/4" hex bolts (l), with two (2) washer and a lock nut on each bolt to attach the plate to the frame.



6. Attach the first two (2) arms (i) to the lowest two (2) holes possible on opposite sides of the assembled base. Use two (2) 4 1/2" hex bolts (m) to secure the two (2) arms (i) in place. Then, place and secure the next two (2) arms (i) on the highest holes on the assembled base. Repeat on the other assembled base. (You may find it helpful during this part of the process to use one wrench to hold the bolt in place and use a second wrench to turn the lock nut).



7. The kayak rack should be fully assembled. If possible, drill a bolt down into the floor with the anchor brackets (r) to stabilize the unit in a permanent position, preventing it from tipping over. If not, make sure that the weight is always evenly distributed, and if only storing one kayak, store it on the lower rack.

SPECIFICATIONS

Assembled Dimensions: 52" H x 94" W x 26" D (132.1 x 238.8 x 66 cm)

Weight Capacity: 220.5 lbs. (100 kg)

LIMITED WARRANTY TO ORIGINAL CONSUMER

This **RaxGo™ Deluxe Freestanding Four-Kayak Storage Rack (“Product”)**, including any accessories included in the original packaging, as supplied and distributed new by an authorized retailer is warranted by **C&A Marketing, Inc. (the “Company”)** to the original consumer purchaser only, against certain defects in material and workmanship (“**Warranty”**) as follows:

To receive Warranty service, the original consumer purchaser must contact the Company or its authorized service provider for problem determination and service procedures. Proof of purchase in the form of a bill of sale or receipted invoice, evidencing that the Product is within the applicable Warranty period(s), **MUST** be presented to the Company or its authorized service provider in order to obtain the requested service.

Service options, parts availability, and response times may vary and may change at any time. In accordance with applicable law, the Company may require that you furnish additional documents and/or comply with registration requirements before receiving warranty service. Please contact our customer service for details on obtaining warranty service:

Email: support@raxgo.com

Phone: 833-722-0121

Shipping expenses to the Company’s Return Facility are not covered by this warranty, and must be paid by the consumer. The consumer likewise bears all risk of loss or further damage to the Product until delivery to said facility.

EXCLUSIONS AND LIMITATIONS The Company warrants the Product against defects in materials and workmanship under normal use for a period of **ONE (1) YEAR** from the date of retail purchase by the original end-user purchaser (“Warranty Period”). If a hardware defect arises and a valid claim is received within the Warranty Period, the Company, at its sole option and to the extent permitted by law, will either (1) repair the Product defect at no charge, using new or refurbished replacement parts, (2) exchange the Product with a Product that is new or which has been manufactured from new or serviceable used parts and is at least functionally equivalent to the original device, or (3) refund the purchase price of the Product.

A replacement Product or part thereof shall enjoy the warranty of the original Product for the remainder of the Warranty Period, or ninety (90) days from the date of replacement or repair, whichever provides you longer protection. When a Product or part is exchanged, any replacement item becomes your property, while the replaced item becomes the Company’s property. Refunds can only be given if the original Product is returned.

This Warranty does not apply to:

(a) Any non-RaxGo™ Deluxe Freestanding Four-Kayak Storage Rack product, hardware or software,

even if packaged or sold with the Product;

(b) Damage caused by use with non-RaxGo™ Deluxe Freestanding Four-Kayak Storage Rack products;

(c) Damage caused by accident, abuse, misuse, flood, fire, earthquake, or other external causes;

(d) Damage caused by operating the Product outside the permitted or intended uses described by the Company;

(e) Damage caused by third party services;

(f) A Product or part that has been modified to alter functionality or capability without the written permission of the Company;

(g) Consumable parts, such as batteries, fuses and bulbs;

(h) Cosmetic damage; or

(i) If any RaxGo™ Deluxe Freestanding Four-Kayak Storage Rack serial number has been removed or defaced.

This Warranty is valid only in the country where the consumer purchased the Product, and only applies to Products purchased and serviced in that country.

The Company does not warrant that the operation of the Product will be uninterrupted or error-free. The Company is not responsible for damage arising from your failure to follow instructions relating to its use.

NOTWITHSTANDING ANYTHING TO THE CONTRARY AND TO THE MAXIMUM EXTENT PERMITTED BY APPLICABLE LAW, THE COMPANY PROVIDES THE PRODUCT “AS-IS” AND “AS-AVAILABLE” FOR YOUR CONVENIENCE AND THE COMPANY AND ITS LICENSORS AND SUPPLIERS EXPRESSLY DISCLAIM ALL WARRANTIES AND CONDITIONS, WHETHER EXPRESSED, IMPLIED, OR STATUTORY, INCLUDING THE WARRANTIES OF MERCHANTABILITY, FITNESS FOR A PARTICULAR PURPOSE, TITLE, QUIET ENJOYMENT, ACCURACY, AND NON-INFRINGEMENT OF THIRD-PARTY RIGHTS. THE COMPANY DOES NOT GUARANTEE ANY SPECIFIC RESULTS FROM THE USE OF THE PRODUCT, OR THAT THE COMPANY WILL CONTINUE TO OFFER OR MAKE AVAILABLE THE PRODUCT FOR ANY PARTICULAR LENGTH OF TIME. THE COMPANY FURTHER DISCLAIMS ALL WARRANTIES AFTER THE EXPRESS WARRANTY PERIOD STATED ABOVE.

YOU USE THE PRODUCT AT YOUR OWN DISCRETION AND RISK. YOU WILL BE SOLELY RESPONSIBLE FOR (AND THE COMPANY DISCLAIMS) ANY AND ALL LOSS, LIABILITY, OR DAMAGES RESULTING FROM YOUR USE OF THE PRODUCT.

NO ADVICE OR INFORMATION, WHETHER ORAL OR WRITTEN, OBTAINED BY YOU FROM THE COMPANY OR THROUGH ITS AUTHORIZED SERVICE PROVIDERS SHALL CREATE ANY WARRANTY.

IN NO EVENT WILL THE COMPANY’S TOTAL CUMULATIVE LIABILITY ARISING FROM OR

RELATED TO THE PRODUCT, WHETHER IN CONTRACT OR TORT OR OTHERWISE EXCEED THE FEES ACTUALLY PAID BY YOU TO THE COMPANY OR ANY OF ITS AUTHORIZED RESELLERS FOR THE PRODUCT AT ISSUE IN THE LAST YEAR FROM YOUR PURCHASE. THIS LIMITATION IS CUMULATIVE AND WILL NOT BE INCREASED BY THE EXISTENCE OF MORE THAN ONE INCIDENT OR CLAIM. THE COMPANY DISCLAIMS ALL LIABILITY OF ANY KIND OF ITS LICENSORS AND SUPPLIERS. IN NO EVENT WILL THE COMPANY OR ITS LICENSORS, MANUFACTURERS AND SUPPLIERS BE LIABLE FOR ANY INCIDENTAL, DIRECT, INDIRECT, SPECIAL, PUNITIVE OR CONSEQUENTIAL DAMAGES (SUCH AS, BUT NOT LIMITED TO, DAMAGES FOR LOSS OF PROFITS, BUSINESS, SAVINGS, DATA OR RECORDS) CAUSED BY THE USE, MISUSE OR INABILITY TO USE THE PRODUCT.

Nothing in these terms shall attempt to exclude liability that cannot be excluded under applicable law. Some countries, states or provinces do not allow the exclusion or limitation of incidental or consequential damages or allow limitations on warranties, so certain limitations or exclusions may not apply to you. This warranty gives you specific legal rights, and you may have other rights that vary from state to state or province to province. Contact your authorized retailer to determine if another warranty applies.



NEED ASSISTANCE? WE WANT TO HEAR FROM YOU!

raxgo.com
support@raxgo.com
1-833-722-0121

RAXGO is a trademark of C&A IP Holdings, LLC in the US.

All other products, brand names, company names, and logos are trademarks of their respective owners, used merely to identify their respective products, and are not meant to connote any sponsorship, endorsement, or approval.

Distributed by C&A Marketing, Inc., 114 Tived Lane East, Edison, NJ 08837. Made in China.

© 2020. C&A IP Holdings, LLC. All Rights Reserved.