

# Installation Instructions



## Trail Can Tool/Storage Box

For proper installation and best possible fit, please read all instructions BEFORE you begin.

### Important Safety Information



- CAUTION - Before driving, ensure that the part is properly secured to vehicle.
- Periodically check all components for tightness.

### Contents

Trail Can Tool Box (qty 1)

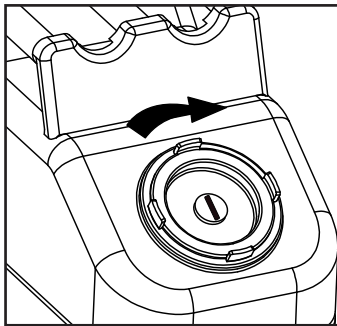


Keys For Locking (qty 2)

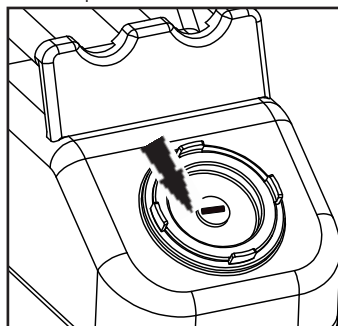
### Installation Steps

Be sure the lock is in the unlocked position as shown and that the key has been removed. Insert key and rotate clockwise to open.

Unlocked position

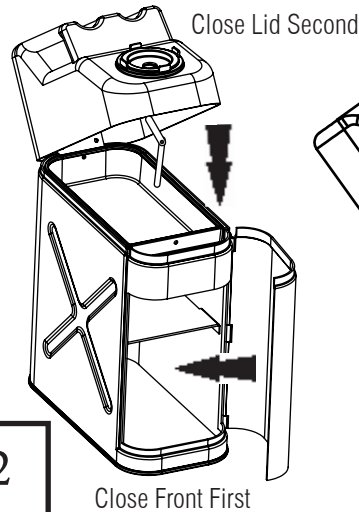


Locked position



1

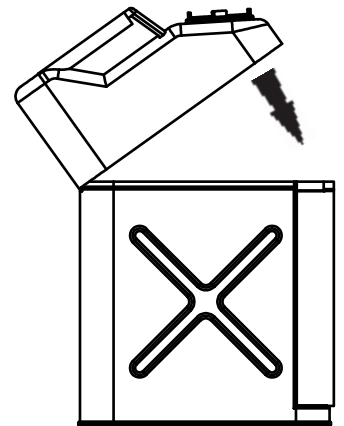
Opening and closing front door and top lid. Pull up on lid while turning the latch. Be careful not to let the lid fall freely as it could cause damage to the tool box.



2

Close Front First

Close Lid Second



### Care and Cleaning

- Rampage parts are built to last; any detergent you use to wash your vehicle is sufficient to clean the Trail Can Tool Box. Do not use any harsh abrasive detergents. Periodically check and lubricate moving parts.

### Congratulations!

You have purchased one of the many quality Rampage branded products offered by Lund International, Inc. We take the utmost pride in our products and want you to enjoy years of satisfaction from your investment. We have made every effort to ensure that your product is top quality in terms of fit, durability, finish and ease of installation.

