



# TRAIL CAN TOOLBOX

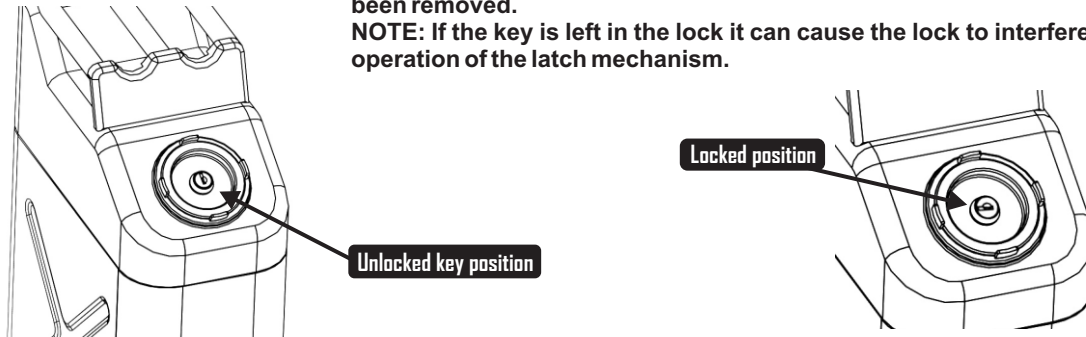
Part # 86619

## Operation

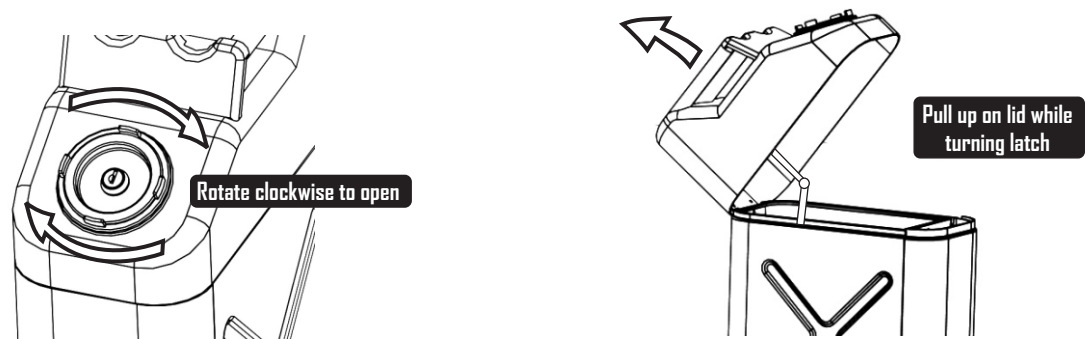
Be sure the lock is in the unlocked position as shown and that the key has been removed.

**NOTE:** If the key is left in the lock it can cause the lock to interfere with the operation of the latch mechanism.

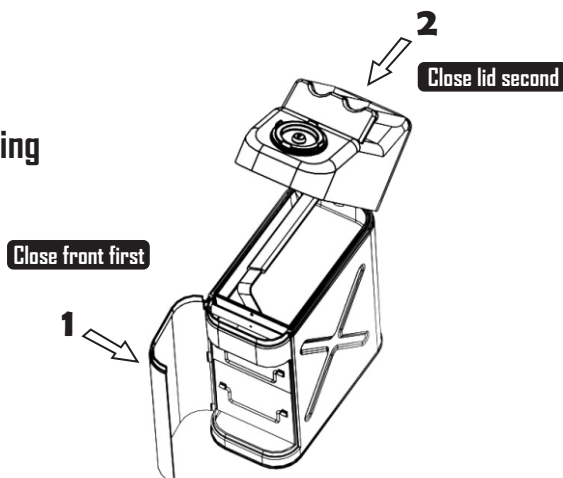
### Locking



### Opening



### Closing



### Important Precautions:

- Clean with soap and water. Do not use harsh chemicals as they may cause damage to the finish.
- Lubricate the hinges, lock, latch assembly and the catch on the lower section to maintain proper function.
- Be very careful not to let the lid fall freely as it could cause harm or damage to the tool box.
- Be careful what type of mount is used to attach the TrailCan to a vehicle. The best way is a traditional Gerry can mount that supports the whole base of the can. The off centered mounts may cause damage to the main hinge.
- The TrailCan is not intended to be waterproof but includes drainage holes in the top tray to allow water to escape without collecting inside if exposed to water.