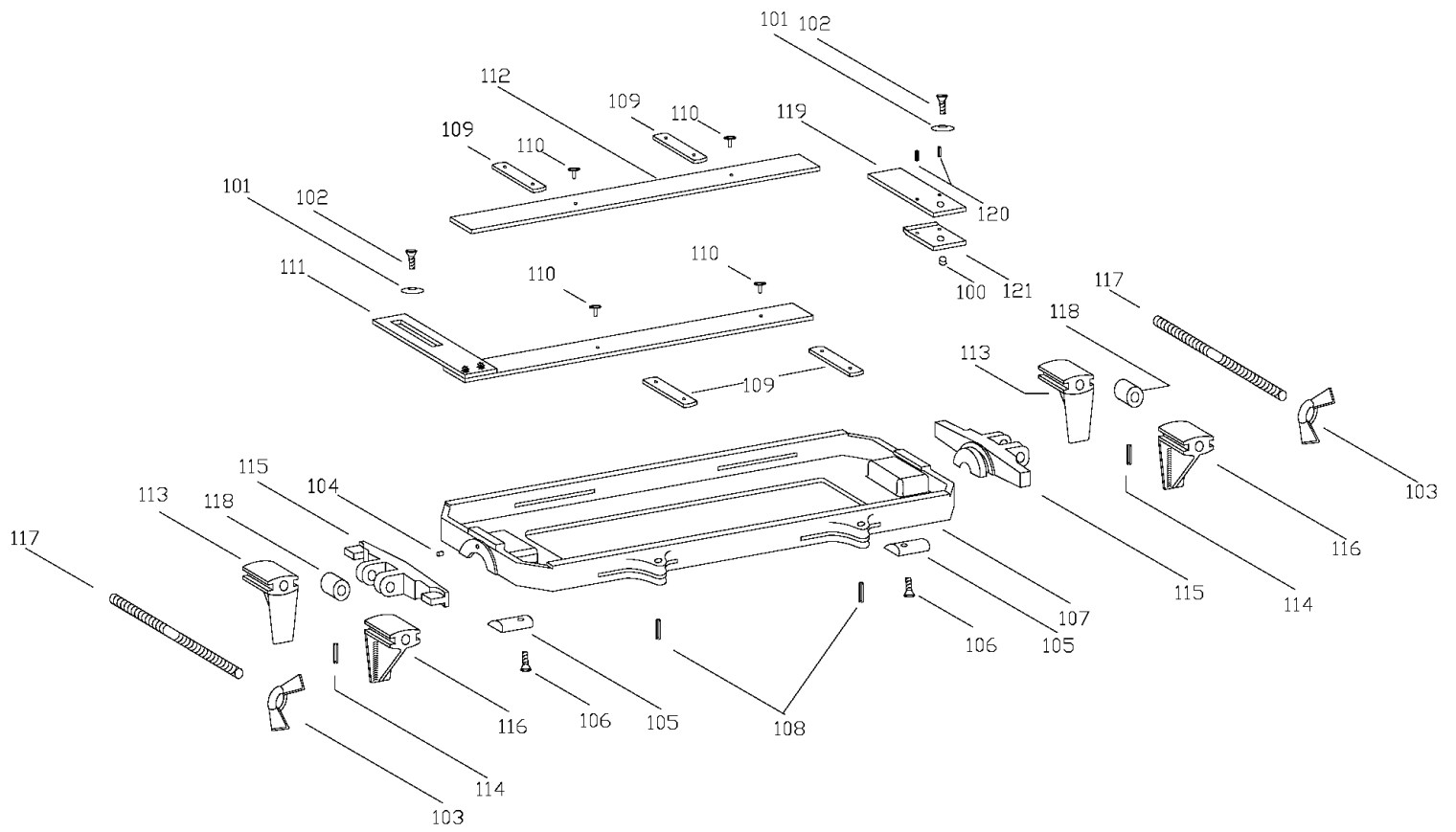


# PORTER CABLE

## Parts List for 517 Lock Mortiser Type 1

Item Number	Part Number	Description	Qty Required
100	800741	BUSHING	10
101	893006	WASHER	10
102	800740	SCREW	10
103	800745	WING NUT	10
104	802308	SWIVEL STOP PIN	10
105	804979	SWIVEL SUPPORT	1
106	802289	SCREW	10
107	804975	MAIN FRAME	1
108	694999	ROLL PIN	2
109	000000-00	No Longer Available	4
110	000000-00	No Longer Available	1
110	688933	GUIDE RIVET	1
111	000000-00	No Longer Available	1
112	800729	GUIDE ASSY.	1
113	804977	CLAMP JAW	1
114	800747	PIN	1
115	804976	SWIVEL	1
116	800743	JAW	1
117	800744	SCREW	1
118	804978	COLLAR	1
119	000000-00	No Longer Available	1
120	840109	PIN	1
121	800739	GAUGE ASSY.	1
856	42024	TEMPLET GUIDE	1
856	42237	LOCK NUT	1



Check out the collection of drills and drivers we offer.