



PIT-PAL PRODUCTS

**THANK YOU FOR CHOOSING PIT PAL PRODUCTS!
YOUR PURCHASE IS GREATLY APPRECIATED!**

**Please continue to choose Pit Pals, the Industry Leader
for all your organizational needs in the trailer, shop or at the track!**

INSTALLATION INSTRUCTIONS FOR CLIP-ON TRAILER TRAY PART#150

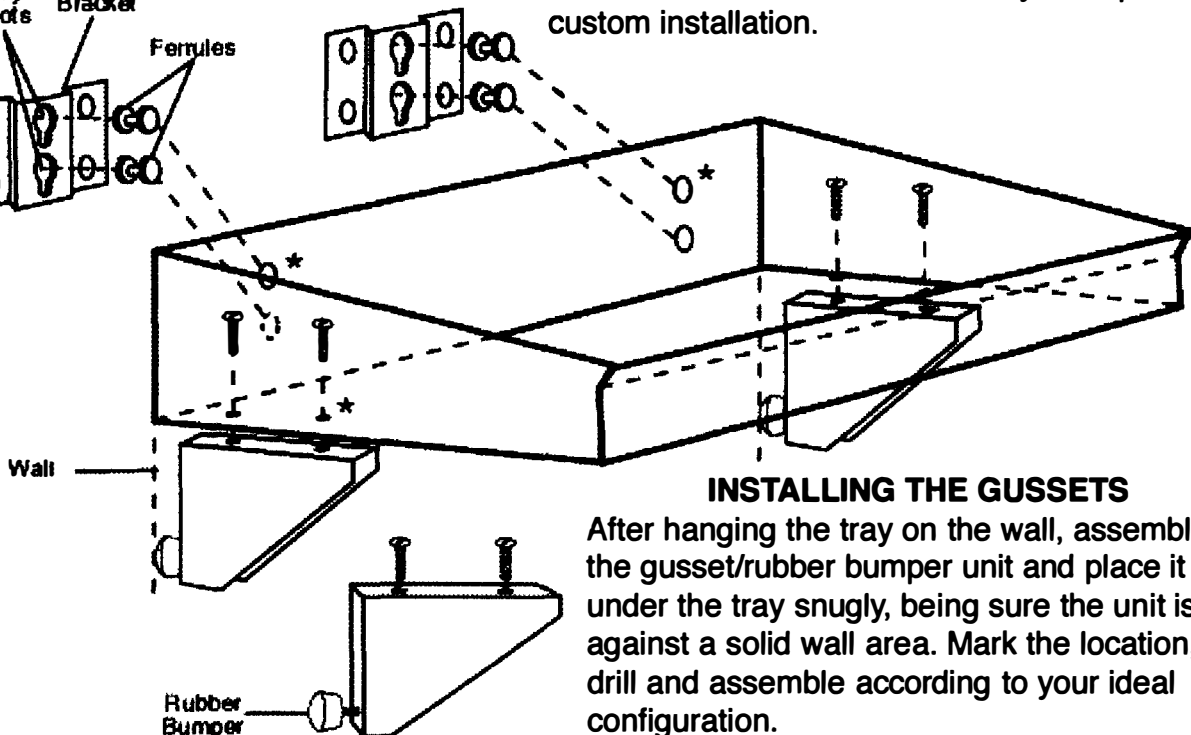
Easy on. Easy off. That's the concept behind the design of this convenient clip-on trailer tray. Put it where you want it, whenever you need the extra work area. It provides plenty of table space for pit use, and after you're through, it stores easily in the trailer. Protective bumpers and mounting brackets included.

WALL MOUNTED INSTALLATION

***All holes to be
drilled by installer**

This handy clip-on, slip-off tray can bear heavy loads. Because of this, it is recommended the ferrule clip-on brackets be mounted firmly to the trailer wall through the reinforcing trailer wall ribs, using pop rivets provided. This is a custom mounting procedure. Place the brackets at the strongest points where the shelf can still be used and removed comfortably. Then drill and position the ferrules on the back of the tray for a perfect custom installation.

*Pop Rivet Holes
Key Slots
Mounting Bracket
Ferrules



INSTALLING THE GUSSETS

After hanging the tray on the wall, assemble the gusset/rubber bumper unit and place it under the tray snugly, being sure the unit is against a solid wall area. Mark the location, drill and assemble according to your ideal configuration.