

BIG TOP PNEUMATIC ROLLING SHOP STOOL

Item Number W85033

MANUAL



Performance Tool[®]

▲WARNING: READ, UNDERSTAND AND FOLLOW ALL INSTRUCTIONS AND WARNINGS BEFORE OPERATING THIS TOOL. FAILURE TO DO SO MAY RESULT IN PERSONAL INJURY AND/OR PROPERTY DAMAGE AND WILL VOID WARRANTY.

PT[®]
Performance Tool

SPECIFICATIONS:

Capacity:.....300 lbs.
Ram Extension:..... 5 in.
Seat Height:..... 19 - 24 in.
Seat:..... 12-1/2 in. diameter x 3-1/2 in. deep
Casters: 2 in.

Specifications are subject to change without notice.

SAFETY GUIDELINES / DEFINITIONS

This instruction manual is intended for your benefit. Please read and follow the safety, installation, maintenance and troubleshooting steps described within to ensure your safety and satisfaction. The contents of this instruction manual are based upon the latest product information available at the time of publication. The manufacturer reserves the right to make product changes at any time without notice.

▲WARNING: Read and understand this entire instruction manual before attempting to assemble, install, operate or maintain this product. Failure to comply with the instructions may result in serious personal injury and/or property damage!

The following signal words are used to emphasize safety warnings that must be followed when using this product:

▲DANGER: Indicates an imminently hazardous situation that, if not avoided, WILL result in death or serious injury.

▲CAUTION: Indicates a potentially hazardous situation that, if not avoided, MAY result in minor or moderate injury.

▲WARNING: Indicates a potentially hazardous situation that, if not avoided, COULD result in death or serious injury.

▲NOTE: Indicates important information, which if not followed, MAY cause damage to equipment.

UNPACKING AND INSPECTION

After opening the box, unpack your stool and related parts & accessories.

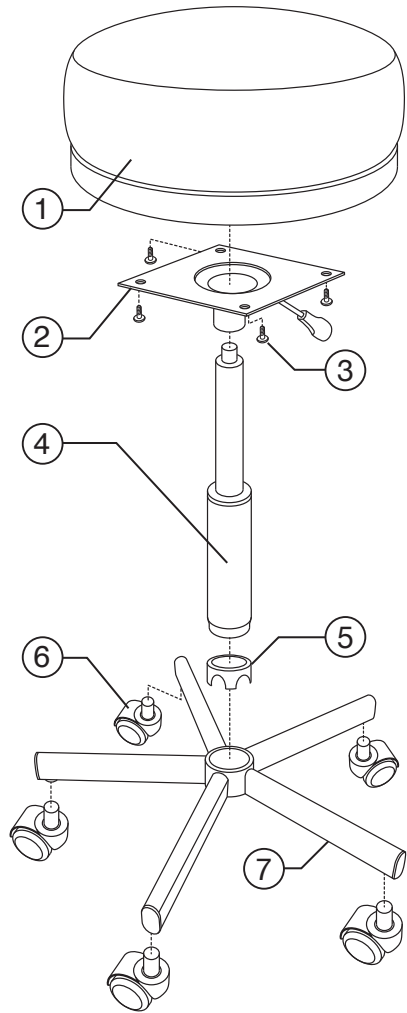
▲WARNING DO NOT operate this stool if damaged during shipment, handling or misuse. Do not operate the stool until the parts have been replaced or the fault rectified. Failure to do so may result in serious personal injury or property damage. All damaged parts must be repaired or replaced as needed prior to operating this stool. Check to see that all nuts, bolts and fittings are secure before putting this stool into service. Please be sure to have the serial number, model number, and date of purchase available for reference when calling.

▲WARNING. READ, UNDERSTAND AND FOLLOW ALL INSTRUCTIONS AND WARNINGS BEFORE OPERATING THIS PRODUCT. FAILURE TO DO SO MAY RESULT IN FIRE, ELECTRICAL SHOCK, PERSONAL INJURY AND/OR PROPERTY DAMAGE AND WILL VOID WARRANTY.

1. DO NOT exceed rated capacity. Overloading the stool can cause damage to or failure of the stool.
2. Use only on hard, level surface capable of sustaining the load. Use of stool on other than hard level surfaces can result in stool instability.
3. DO NOT stand on stool. Serious injury can result if the tool tips over or you accidentally come in contact with the stool.
4. DO NOT expose to heat. Parts of the unit are under pressure.
5. Do not alter this product in any way.
6. Keep your work area clean and well lit. Cluttered work areas invite accidents.
7. Keep bystanders, children, and visitors away while operating stool. Distractions can cause you to lose control.
8. Stay alert. Watch what you are doing, and use common sense when operating a stool. Do not use a stool while tired or under the influence of drugs, alcohol or medication. A moment of inattention while operating stool may result in serious personal injury.
9. Store idle stool out of reach of children and other untrained persons. Stools are dangerous in the hands of untrained users.
10. Stool service must be performed only by qualified repair personnel. Service or maintenance performed by unqualified personnel could result in a risk of injury.
11. When servicing a stool, use only identical replacement parts - refer to attached, product-specific parts list and diagram. Follow instructions in the Care & Maintenance section of this manual. Use of unauthorized parts or failure to follow maintenance instructions may create a risk of injury and may void any applicable warranty.
12. Maintain labels and nameplates on the stool. These carry important information. If unreadable or missing, contact Performance Tool for a replacement.
13. The warnings, precautions, and instructions discussed in this manual cannot cover all possible conditions and situations that may occur. The operator must understand that common sense and caution are factors, which cannot be built into this product, but must be supplied by the operator.

CONTENTS

No.	Description	Qty.
1	Padded Seat	1
2	Seat Bracket/Handle.....	1
3	Machine Screws	4
4	Pneumatic Cylinder.....	1
5	Base Cover	1
6	Casters.....	5
7	Base Frame.....	1



TOOLS REQUIRED

1. 14 mm open end or adjustable wrench
2. #2 phillips screwdriver

ASSEMBLY INSTRUCTIONS

1. Place the Seat Bracket (2) on the underside of the Padded Seat (1). Align the holes in the Seat Bracket with the 4 holes in the center of the Padded Seat and hand tighten with the 4 machine screws (3). Use a #2 phillips screwdriver for final tightening.
2. Hand thread the 5 Casters (6) onto Base Frame (7). Tighten with a 14 mm open end or adjustable wrench.
3. Place the Base Cover (5) over the center of the Base Frame (7).
4. Insert the Pneumatic Cylinder (4) into the center opening in the Base Frame (7), then place the Seat assembly from step 1 onto the thinner end of the Pneumatic Cylinder. Press down to ensure a tight and secure fit.

OPERATION

TO RAISE SEAT:

Stand next to stool. Lift handle, and release when seat is at the desired height.

TO LOWER SEAT:

Sit on the stool. Lift handle, and release when the seat is at the desired height.