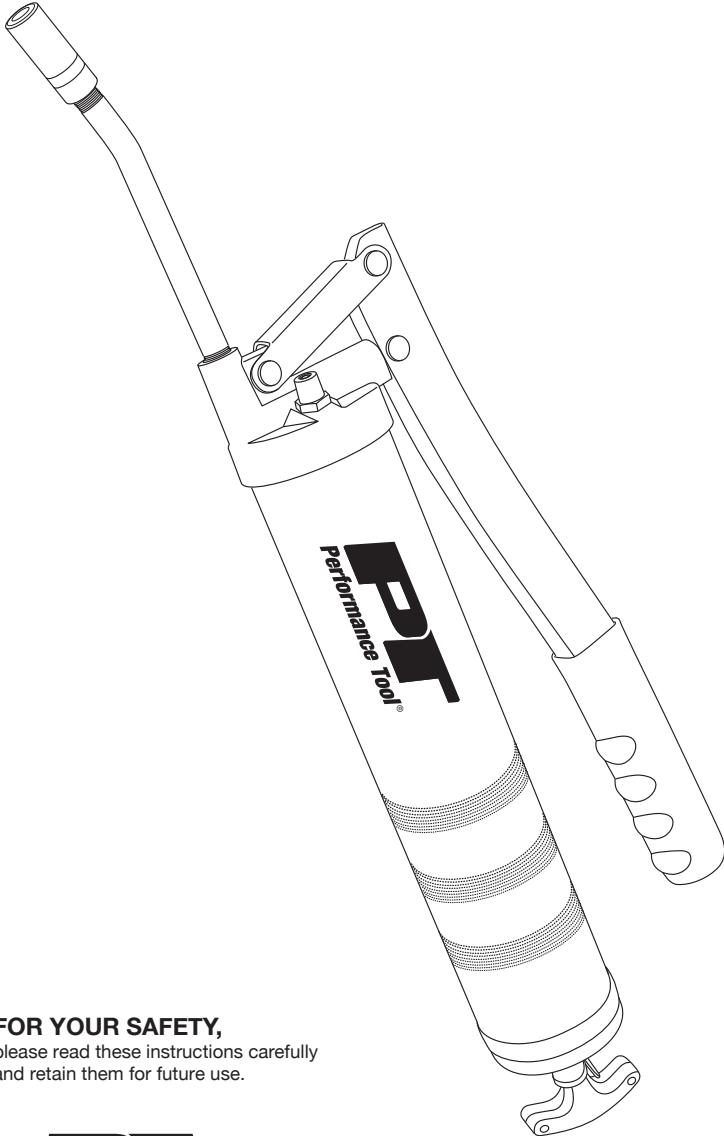


HEAVY DUTY LEVER GREASE GUN

Stock Number W54292

OWNER'S MANUAL / INSTRUCTIVO



Performance Tool®

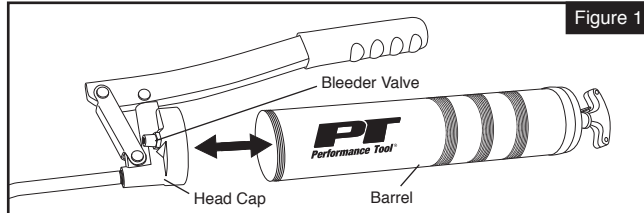
FOR YOUR SAFETY,
please read these instructions carefully
and retain them for future use.

PT
Performance Tool®

GREASE CARTRIDGE LOADING

NOTE - This is a basic instruction manual which covers various models of grease guns. The illustrations below may not depict exactly your specific gun.

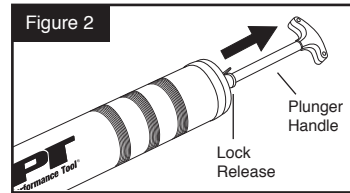
1. Rotating counter clockwise, unscrew Head Cap from gun Barrel. (Figure 1)



NOTE - Because they lack lubrication on the rubber plunger, new grease guns may be difficult to load with grease cartridges the first time. Apply a liberal coating of grease to plunger when using gun for the first time. **This grease gun requires a 14 oz. grease cartridge.**

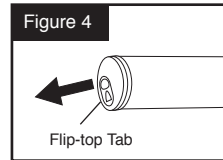
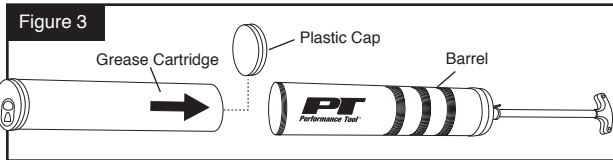
2. Draw handle back fully so that the plunger rod catches and locks into place. (Figure 2)

CAUTION: Depressing the lock release when empty causes the handle to snap back quickly.



3. After removing the plastic cap from the grease cartridge, apply a small amount of grease to the inside edge of the cartridge. This will make insertion of the plunger easier. (Figure 3)

4. Push grease cartridge into gun barrel completely, until metal edge tightly seals on top of the grease gun barrel. Detach flip-top seal from cartridge. (Figure 4)



5. Screw on head cap approximately two turns, being sure not to tighten. Release plunger rod from its locked position and push in. Push on plunger rod handle to force plunger into cartridge. At the same time, pump the lever or handle to release trapped air. When grease comes through vents and the head of the gun, fully tighten the head cap to the barrel.

6. As soon as the gun is pumping grease, carefully depress the lock release and push plunger rod back into gun.

SUCTION FILLING

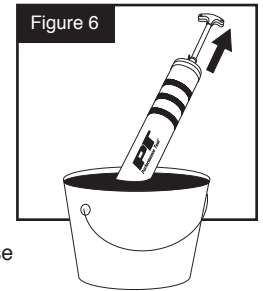
NOTE - Used cartridges must be removed prior to suction filling.

1. Remove the gun head cap from the barrel.

2. Submerge open end of the barrel into grease bucket. Be sure the plunger handle is depressed completely. Grasp the barrel firmly and pull back slowly on the plunger handle. Be sure the mouth of the barrel is always under the surface so that air is not transferred into the barrel. (Figure 6)

3. Loading is complete when plunger rod is fully extended.

4. Reattach the gun head cap to the barrel. Depress lock release and push the plunger rod back into the gun.



NOTE - Grease guns may lose their prime on occasion, because of air pockets in the grease. If this occurs, remove the trapped air by bleeding the head cap and resume pumping.

BULK LOADING WITH DISPENSER

NOTE - Used cartridges must be removed prior to bulk loading.

1. Make sure the valve is compatible with the adapter on the pump. (Figure 5)

2. Attach the filler valve to the adapter by pushing in and rotating slightly.

3. Operate the pump handle while holding the gun firmly to the pump. As the grease pumps into the grease gun barrel the plunger handle will extend. Loading is complete when the plunger rod is fully extended.

4. A slight twist of the gun will detach it from the pump. Depress lock release and push the plunger rod back into the gun.

