

LIMITED WARRANTY

PERFORMANCE TOOL extends only the following warranties, and only to original retail purchasers. These warranties give specific legal rights. Except where prohibited by local law, the law of the State of Washington governs all warranties and all exclusions and limitations of warranties and remedies. There may be other rights which vary from state to state.

PERFORMANCE TOOL warrants the product to be free from defects in materials and workmanship under normal use and service. A defective product may be returned for a free replacement within 90 days from the date of purchase, provided that product is returned to place of purchase immediately after discovery of defect. After 90 days and up to 1 year from date of purchase, PERFORMANCE TOOL will replace at no charge any parts which our examination shall disclose to be defective and under warranty.

These warranties exclude blades, bits, punches, dies, bulbs, fuses, and other consumables which must be replaced under normal use and service. These warranties shall not apply to any product or part which is used for a purpose for which it is not design or which has been repaired or altered in any way so as to affect adversely its performance or reliability, nor shall these warranties apply to any product or part which has been subject to misuse, neglect, accident or wear and tear incident to normal use and service.

PERFORMANCE TOOL does not authorize any other person to make any warranty or to assume any liability in connection with its products.

Except for warranties of title and the limited express warranties set forth above, PERFORMANCE TOOL makes no express or implied warranties of any kind with respect to its products. In particular, PERFORMANCE TOOL makes no implied warranty of merchantability and no implied warranty of fitness for any particular purpose, except that for goods purchased primarily for personal, family or household use and not for commercial or business use, PERFORMANCE TOOL makes an implied warranty of merchantability (and, if otherwise applicable, an implied warranty of fitness for a particular purpose), but only for the particular qualities or characteristics, and for the duration, expressly warranted above. The laws on limitation of implied warranties may differ from state to state, so the above limitations may not apply in all cases.

PERFORMANCE TOOL shall not be liable for consequential, incidental or special damages resulting from or in any manner related to any product, or to the design, use, or any inability to use the product. The sole and exclusive remedy for a defective product or part shall be the repair, or replacement thereof as provided above. The laws on limitation of remedies or on consequential, incidental or special damages may vary from state to state, so the above limitations may not apply in all cases.

Copyright ©2015 PERFORMANCE TOOL – All rights reserved

WARNING: This product and its packaging contain a chemical known to the State of California to cause cancer, birth defects or other reproductive harm.

Always wear eye protection when using tools.

PORTABLE PARTS WASHER

Stock Number W54043

OWNER'S MANUAL

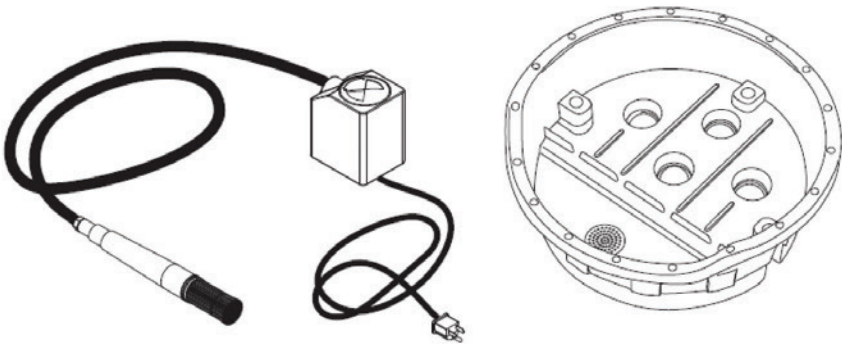


Performance Tool®

PT
Performance Tool

FOR YOUR SAFETY,

please read these instructions carefully and retain them for future use. ONLY USE NON-CORROSIVE WATER BASED CLEANING SOLUTIONS, REPLACE WHEN SOLUTION BECOMES DIRTY. Dispose of the used cleaning solution properly. Do not drain the cleaning solution into the street drains, house drains, or into the earth. Contact your local waste management officials for proper disposal methods.



SPECIFICATIONS

Size..... 13-3/4 in. Diameter
 Fits.....Standard 5 Gallon Bucket
 Max output through spigot.....50 gph
 Electrical requirements..... 115v/60Hz/0.6A

WARNINGS

- Do not over fill cleaning solution. Fill to just below level of parts tray.
- Do not use any cleaning solution with a flash point below 150° F.
- Do not use any highly volatile, flammable or combustible cleaning solutions.
- **ONLY USE NON-CORROSIVE WATER BASED CLEANING SOLUTIONS, REPLACE WHEN SOLUTION BECOMES DIRTY.**
- Use only in a well ventilated area.
- Do not operate near heat sources such as heaters, sparks, open flame, etc.
- Use only on grounded 115 Volt, 60Hz, outlet.
- Should fire occur in parts washer, do not attempt to move parts washer.

REPLACING CLEANING SOLUTION

1. Use only water based cleaners, replace solution when it becomes dirty.
2. Dispose of the used cleaning solution properly. Do not drain the cleaning solution into the street drains, house drains, or into the earth. Contact your local waste management officials for proper disposal methods.

SPECIFICATIONS



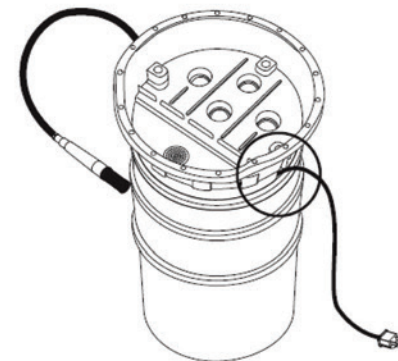
1. Place pump inside of bucket.



2. Add cleaning detergent into bucket.



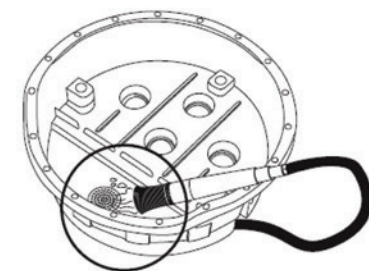
3. Place washing basin on top of the bucket.



4. Arrange power cord and hose between bucket and basin.



5. Plug into power supply.



6. Use brush to clean.