

# ***MULTI-PURPOSE WORKBENCH***

Stock Number W54025

## **OWNER'S MANUAL**



**FOR YOUR SAFETY,**  
please read these instructions carefully and retain them for future use.

# SPECIFICATIONS

Height: ..... 31 In.  
Length: ..... 23 7/8 In.  
Width: ..... 25 In.  
Jaw Opening: ..... 0 - 4 1/4 In.  
Weight Capacity: ..... 200 lbs  
Work Surface: ..... 23 7/8 x 9 7/16 In  
Fully Extended - 23 7/8 x 13 11/16 In.  
Vise Capacity: ..... 7/8 - 10 1/2 In.

Specifications are  
subject to change  
without notice

# IMPORTANT SAFETY INFORMATION

## WARNING!

**READ, UNDERSTAND AND FOLLOW ALL INSTRUCTIONS AND WARNINGS BEFORE OPERATING THIS TOOL. FAILURE TO DO SO MAY RESULT IN PERSONAL INJURY AND/OR PROPERTY DAMAGE AND WILL VOID WARRANTY.**

1. Keep work area clean. Cluttered areas invite injuries.
2. Observe work area conditions. Do not use machines or power tools in damp or wet locations. Don't expose to rain. Keep work area well lighted. Do not use electrically powered tools in the presence of flammable gases or liquids.
3. Keep children away. Children must never be allowed in the work area. Do not let them handle machines, tools, or extension cords.
4. Store idle equipment. When not in use, tools must be stored in a dry location to inhibit rust. Always lock up tools and keep out of reach of children.
5. Use the right tool for the job. Do not attempt to force a small tool or attachment to do the work of a larger industrial tool. There are certain applications for which this tool was designed It will do the job better and more safely at the rate for which it was intended. Do not modify this tool and do not use this tool for a purpose for which it was not intended.
6. Dress properly. Do not wear loose clothing or jewelry as they can be caught in moving parts. Protective, electrically non-conductive clothes and non-skid footwear are recommended when working. Wear restrictive hair covering to contain long hair.
7. Use eye and ear protection. Always wear ANSI approved impact safety goggles.
8. Work Safe. Keep proper footing and balance at all times. Never use cross bars as step ladder, nor stand on workbench top. Never exceed recommended maximum weight capacity of Workbench (200lbs.). Always lower heavy loads onto Workbench gently, so that strain is taken up gradually. Do not reach over or across running machines, hoses, etc.
9. Stay alert. Watch what you are doing, us common sense. Do not operate any tool when you are tired.
10. Check for damaged parts. Before using any tool, any part that appears damaged should be carefully checked to determine that it will operate properly and perform its intended function. Check for alignment and binding of moving parts; any broken parts

# IMPORTANT SAFETY INFORMATION

or mounting fixtures; and any other condition that may affect proper operation. Any part that is damaged should be properly repaired or replaced by a qualified technician.

11. Replacement parts and accessories. When servicing, use only identical replacement parts. Use of any other parts will void the warranty. Only use accessories intended for use with this tool. Approved accessories are available from Performance Tool®.
12. Do not operate any tool if under the influence of alcohol or drugs. Read warning labels on prescriptions to determine if your judgment or reflexes are impaired while taking drugs. If there is any doubt, do not operate any tool.
13. Maintenance. For your safety, maintenance should be performed regularly by a qualified technician.

**WARNING:** This product and its packaging contain a chemical known to the State of California to cause cancer, birth defects, or other reproductive harm.

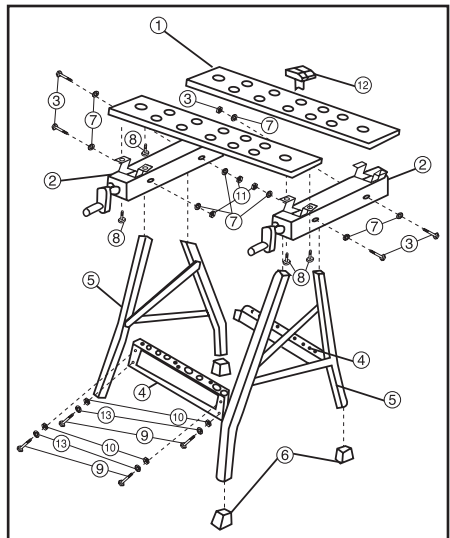
**WARNING:** The warnings, cautions, and instructions discussed in this instruction manual cannot cover all possible conditions and situations that may occur. It must be understood by the operator that common sense and caution are factors which cannot be built into this product, but must be supplied by the operator. Read and understand all of the instructions provided in the instruction manual of the Work Bench, as well as, any other tool (s) used with the Work Bench.

# TOOLS REQUIRED

- Screwdriver (Phillips head no. 2)
- Hammer
- Spanner (included in package)

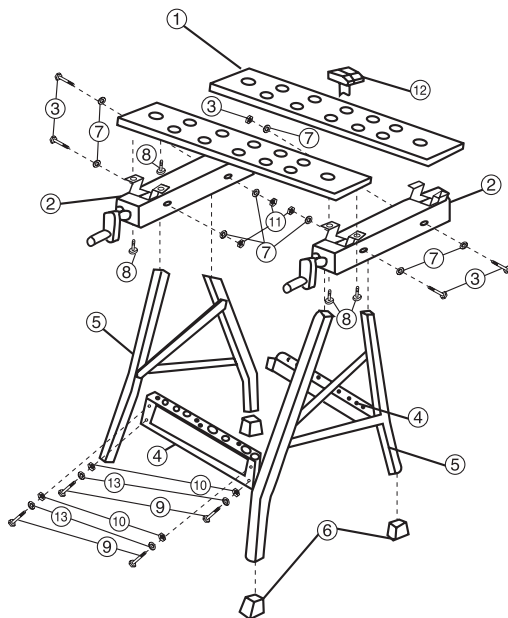
# ASSEMBLY INSTRUCTIONS

1. Use bolts (9), washers (13) and nuts (10) to connect crossbars (4) and leg frames (5).
2. Use wood screws (8) to connect slide bases (2) and work tops (1).
3. Fit leg frames (5) into slide bases (2), line up holes in slide base with holes in leg frame insert bolts (3) and washers (7) from outside of the base and attach washers (7) and nuts (11) from inside use screwdriver and spanner to tighten screws.
4. Attach plastic feet (6) to the legs (5). Each foot must be attached with longest side at outer corner which is indicated by arrow inside.
5. Select suitable holes on the work tops (12).



# REPLACEMENT PARTS LIST

#	Description	Qty
1	Workbench Tops	2
2	Slide Bases	2
3	Bolts (Hex)	4
4	Crossbars	2
5	Leg Frames	2
6	Plastic Feet	4
7	Washers	8
8	Wood Screws	16
9	Bolts (Phillips M6 x P1.0 x 37mm)	8
10	Nuts (M6 x P1.0)	8
11	Nuts (M8 x P1.2)	4
12	Bench Dogs	4
13	Washers	8



## LIMITED WARRANTY

PERFORMANCE TOOL® extends only the following warranties, and only to original retail purchasers. These warranties give specific legal rights. Except where prohibited by local law, the law of the State of Washington governs all warranties and all exclusions and limitations of warranties and remedies. There may be other rights which vary from state to state.

PERFORMANCE TOOL® warrants the product to be free from defects in materials and workmanship under normal use and service. A defective product may be returned for a free replacement within 90 days from the date of purchase, provided that product is returned to place of purchase immediately after discovery of defect. After 90 days and up to one year from date of purchase, PERFORMANCE TOOL® will replace at no charge any parts which our examination shall disclose to be defective and under warranty.

These warranties exclude blades, bits, punches, dies, bulbs, fuses, hoses, and other consumables which must be replaced under normal use and service. These warranties shall not apply to any product or part which is used for a purpose for which it is not designed, or which has been repaired or altered in any way so as to affect adversely its performance or reliability, nor shall these warranties apply to any product or part which has been subject to misuse, neglect, accident or wear and tear incident to normal use and service.

PERFORMANCE TOOL® does not authorize any other person to make any warranty or to assume any liability in connection with its products.

Except for warranties of title and the limited express warranties set forth above, PERFORMANCE TOOL® makes no express or implied warranties of any kind with respect to its products. In particular, PERFORMANCE TOOL® makes no implied warranty of merchantability and no implied warranty of fitness for any particular purpose, except that for goods purchased primarily for personal, family or household use and not for commercial or business use, PERFORMANCE TOOL® makes an implied warranty of merchantability (and, if otherwise applicable, an implied warranty of fitness for a particular purpose), but only for the particular qualities or characteristics, and for the duration, expressly warranted above.

The laws on limitation of implied warranties may differ from state to state, so the above limitations may not apply in all cases.

PERFORMANCE TOOL® shall not be liable for consequential, incidental or special damages resulting from or in any manner related to any product, or to the design, use, or any inability to use the product. The sole and exclusive remedy for a defective product or part shall be the repair, or replacement thereof as provided above. The laws on limitation of remedies or on consequential, incidental or special damages may vary from state to state, so the above limitations may not apply in all cases.