

WELDING CART

W53992

Universal

⚠ WARNING

1. Cart is designed to carry one gas cylinder for use with MIG welding. Use caution when handling compressed gas cylinders and use only in upright position. Use supplied chains to secure the top and bottom of gas cylinder to cart as tightly as possible.
2. Never attempt to weld the gas cylinder.
3. Cart is designed to roll easily on flat surfaces. Cart should not be used on sloped surfaces.
4. Cart can be easily maneuvered by grasping the top shelf and steering cart into desired position. Use caution when moving cart as weight of welder could cause cart to be top heavy.
5. Do not pull cart by welders gun cable or ground cable as this could cause the cart to tip over.
6. Do not fasten ground clamp to welder cart as this could complete the welding circuit, which could cause the gun to arc unexpectedly.
7. Failure to follow precautions could cause serious injury.

PARTS LISTING

Item #	Description	Qty.	Item #	Description	Qty.
1	Bottom Shelf	1	7	Support Rails	2
2	Wheels	2	8	Cable Brackets	2
3	Castors	2	9	Axle	1
4	Vertical Support	1	10	Nuts, Bolts, Washers	32
5	Center Shelf	1	11	Flat Washers/Cotter Pins	2
6	Top Shelf	1			

ASSEMBLY

* You will need a 10mm metric wrench and a pair of pliers.

REAR WHEELS

1. Slide axle through support tube on bottom of lower shelf.
2. Slip washers over both ends of axle.
3. Fit wheels onto axle.
4. Insert cotter pins into holes at either end of the axle and bend in place.

FRONT WHEELS

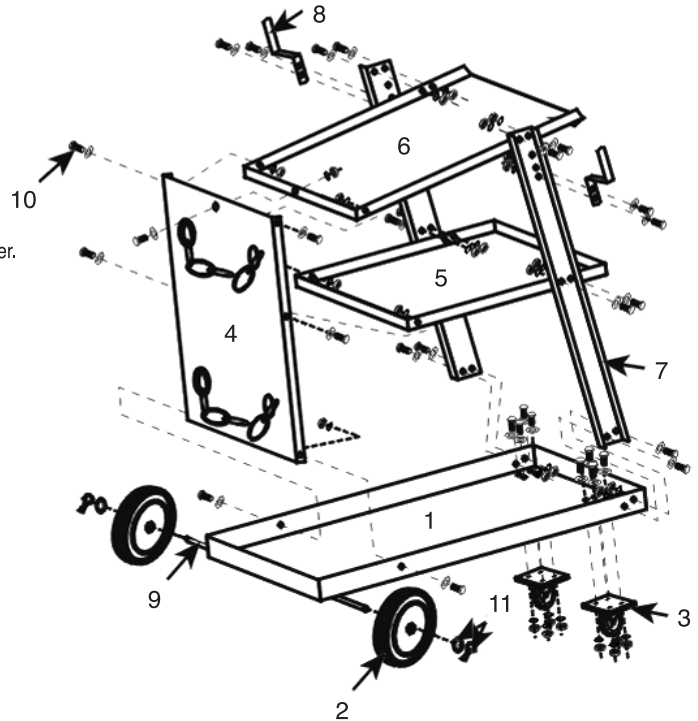
1. Align castor with 4 holes at left front of bottom shelf.
2. From top of shelf, insert a bolt with flat washer through each hole.
3. Slide one lock washer onto each bolt.
4. Firmly tighten nut onto each bolt with 10mm wrench.
5. Repeat steps 1-4 for right side castor.

VERTICAL SUPPORT

1. Align the bottom holes in the sides of the vertical support with the holes in the sides of bottom shelf. (Note: lip of vertical support should be facing the front of the welder cart.)
2. From top of shelf, insert a bolt with flat washer through center hole of vertical support and bottom shelf.
3. Slide one lock washer onto bolt. (This may require you to lay the cart on its side).
4. Firmly tighten nut onto bolt with 10mm wrench.
5. From outside of shelf, insert a bolt with flat washer through each side hole of vertical support and bottom shelf.
6. Slide one lock washer onto each bolt.
7. Firmly tighten nut onto each bolt with 10mm wrench.

SUPPORT RAILS

1. Align left bottom support rail holes with holes on front left side of bottom shelf. (Note: Bottom of support has only 2 holes. Top of support rail has 5 holes.)
2. From outside of support rail, insert a bolt with flat washer through each hole.
3. Slide one lock washer onto each bolt.
4. Firmly tighten nut onto each bolt with 10mm wrench.
5. Repeat steps 1-4 for right side support rail.



CENTER SHELF

1. Align four front holes (two on either side) of center shelf with four center holes (two on either side) of support rails. (Note: Center shelf has four lipped sides. Lip should be facing upwards when installing.)
2. From outside of support rail, insert a bolt with flat washer through each hole.
3. Align holes (one on either side) in rear lip of center shelf with center holes (one on either side) of vertical support.
4. Slide one lock washer onto each bolt.
5. Firmly tighten nut onto each bolt with 10mm wrench.

TOP SHELF

1. Align four front holes (two on either side) of top shelf with four center holes (two on either side) of support rails. (Note: Top shelf has three lipped sides. Lip should be facing upwards when installing.)
2. From outside of support rail, insert a bolt with flat washer through each hole.
3. Align two rear holes (one on either side) of top shelf with upper holes (one on either side) of vertical support.
4. From outside of vertical support, insert a bolt with flat washer through each hole.
5. Align hole in rear lip of top shelf with top center hole in vertical support.
6. From outside of vertical support, insert a bolt with flat washer through hole.
7. Slide one lock washer onto each bolt.
8. Firmly tighten nut onto each bolt with 10mm wrench.

CABLE BRACKETS

1. Align holes on cable bracket with vertically aligned holes on support rails.
2. From outside of cable bracket, insert a bolt with flat washer through each hole.
3. Slide one lock washer onto each bolt.
4. Firmly tighten nut onto each bolt with 10mm wrench.

PT
Performance Tool

Check out the collection of storage & organizers we offer.