
LIMITED WARRANTY

PERFORMANCE TOOL extends only the following warranties, and only to original retail purchasers. These warranties give specific legal rights. Except where prohibited by local law, the law of the State of Washington governs all warranties and all exclusions and limitations of warranties and remedies. There may be other rights which vary from state to state.

PERFORMANCE TOOL warrants the product to be free from defects in materials and workmanship under normal use and service. A defective product may be returned for a free replacement within 90 days from the date of purchase, provided that product is returned to place of purchase immediately after discovery of defect. After 90 days and up to 1 year from date of purchase, PERFORMANCE TOOL will replace at no charge any parts which our examination shall disclose to be defective and under warranty. These warranties shall be valid only when a sales receipt showing the date of purchase accompanies the defective product or defective part(s) being returned.

These warranties exclude blades, bits, punches, dies, bulbs, fuses, and other consumables which must be replaced under normal use and service. These warranties shall not apply to any product or part which is used for a purpose for which it is not design or which has been repaired or altered in any way so as to affect adversely its performance or reliability, nor shall these warranties apply to any product or part which has been subject to misuse, neglect, accident or wear and tear incident to normal use and service.

PERFORMANCE TOOL does not authorize any other person to make any warranty or to assume any liability in connection with its products.

Except for warranties of title and the limited express warranties set forth above, PERFORMANCE TOOL makes no express or implied warranties of any kind with respect to its products. In particular, PERFORMANCE TOOL makes no implied warranty of merchantability and no implied warranty of fitness for any particular purpose, except that for goods purchased primarily for personal, family or household use and not for commercial or business use, PERFORMANCE TOOL makes an implied warranty of merchantability (and, if otherwise applicable, an implied warranty of fitness for a particular purpose), but only for the particular qualities or characteristics, and for the duration, expressly warranted above. The laws on limitation of implied warranties may differ from state to state, so the above limitations may not apply in all cases.

PERFORMANCE TOOL shall not be liable for consequential, incidental or special damages resulting from or in any manner related to any product, or to the design, use, or any inability to use the product. The sole and exclusive remedy for a defective product or part shall be the repair, or replacement thereof as provided above. The laws on limitation of remedies or on consequential, incidental or special damages may vary from state to state, so the above limitations may not apply in all cases.

Copyright ©2010 PERFORMANCE TOOL – All rights reserved

WARNING: This product and its packaging contain a chemical known to the State of California to cause cancer, birth defects or other reproductive harm.

Always wear eye protection when using tools.

Table Top Storage Bin Rack

Stock Number W5186

OWNER'S MANUAL



FOR YOUR SAFETY,
please read these instructions carefully and retain them for future use.

**Performance
Tool®**

SPECIFICATIONS

NOTE: Specifications are subject to change without notice.

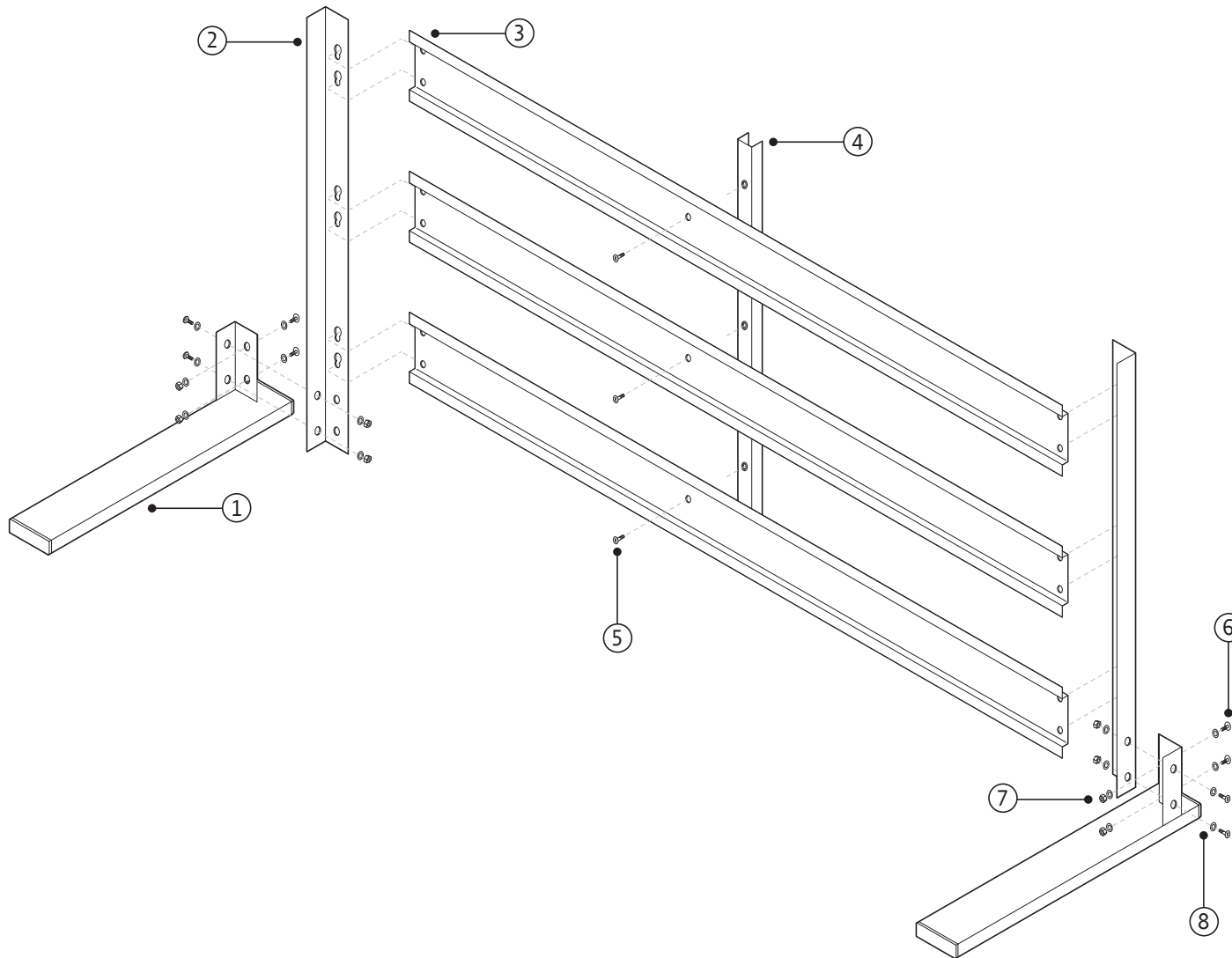
Plastic Bins: 15 (4-1/16 x 6-1/2 in.)
 Rack Height: 15-7/8 in. Tall
 Rack Width: 21-1/4 in. Wide
 Rack Depth: 10-1/8 in. Deep
 Construction: Powder Coated Steel

TOOLS REQUIRED

- #2 Phillips head screwdriver
- 10 mm wrench

ASSEMBLY INSTRUCTIONS

1. Attach the bottom feet (#1) to the "L" frame legs (#2). NOTE: Ensure the frame legs sit inside the "L" bracket on top of the bottom foot (#1).
2. Attach the three center support brackets (#3) to the frame legs (#2) and press down to lock into place. NOTE: Ensure that the screw hole in the center of each center support bracket (#3) is closest to the bottom.
3. Fasten the upright support (#4) to the center support brackets (#3).



PARTS LIST

No.	Description	Qty.
1	Bottom Feet	2
2	"L-Bar" Frame Legs	2
3	Center Support Brackets	3
4	Upright Support	1
5	Center Support Screws	3
6	Screws	12
7	Nuts	12
8	Washers	24