

# 12 VOLT PORTABLE VACUUM CLEANER

Item Number W50012

## OWNER'S MANUAL



Performance Tool®

### ▲WARNING

*It is the owner and/or operators' responsibility to study all WARNINGS, operating, and maintenance instructions contained on the product label and instruction manual prior to operation of this product. The owner/operator shall retain product instructions for future reference.*

*The owner and/or operator are responsible for maintenance, maintaining all decals or warning labels and while in use, maintaining the unit in good working order. If the owner and/or operator are not fluent in English, the product warnings and instructions shall be read and discussed with the operators' native language by the purchaser/owner or his designee. Make sure that the operator comprehends its contents. Safety information shall be emphasized and understood prior to usage. The product shall be inspected per the operating instructions.*

*Users of this product must fully understand these instructions. Each person operating this product must also be of sound mind and body and must not be under the influence of any substance that might impair their vision, dexterity or judgment.*

*Protect yourself and others by observing all safety information.*

*Failure to comply with instructions could result in personal injury and/or property damage!*

# SAFETY GUIDELINES / DEFINITIONS

This instruction manual is intended for your benefit. Please read and follow the safety, installation, maintenance and troubleshooting steps described within to ensure your safety and satisfaction. The contents of this instruction manual are based upon the latest product information available at the time of publication. The manufacturer reserves the right to make product changes at any time without notice.

**▲ WARNING:** Read and understand this entire instruction manual before attempting to assemble, install, operate or maintain this product. Failure to comply with the instructions may result in serious personal injury and/or property damage!

The following signal words are used to emphasize safety warnings that must be followed when using this product:

**▲ DANGER** Indicates an imminently hazardous situation that, if not avoided, WILL result in death or serious injury.

**▲ CAUTION** Indicates a potentially hazardous situation that, if not avoided, MAY result in minor or moderate injury.

**▲ WARNING** Indicates a potentially hazardous situation that, if not avoided, COULD result in death or serious injury.

**▲ NOTICE** Indicates important information, which if not followed, MAY cause damage to equipment.

## UNPACKING AND INSPECTION

After opening the carton, unpack your new product and related parts & accessories. Please inspect it carefully for any damage that may have occurred during transit. Please check it against the photograph on carton.

**▲ WARNING** DO NOT operate this product if damaged during shipment, handling or misuse. Do not operate the product until the parts have been replaced or the fault rectified. Failure to do so may result in serious personal injury or property damage. All damaged parts must be repaired or replaced as needed prior to operating this product. Check to see that all nuts, bolts and fittings are secure before putting this product into service.

Please have the serial number, model number, and date of purchase available for reference when calling.

## SPECIFICATIONS

Voltage:..... 12V DC, 5A-7A  
Rated Power:.....80-100 Watts, 10A fuse  
Vacuum Pressure: .....3000 Pa  
Noise Rating: ..... < 80 dB (A)  
Cord Length: ..... 13 ft.  
Extension Hose: .....11.5 in. (292 mm)  
Weight: .....2.2 lbs. (1Kg)

**Specifications are subject to change without notice.**

## IMPORTANT SAFETY INFORMATION

**▲ WARNING. READ, UNDERSTAND AND FOLLOW ALL INSTRUCTIONS AND WARNINGS BEFORE OPERATING THIS PRODUCT. FAILURE TO DO SO MAY RESULT IN FIRE, ELECTRICAL SHOCK, PERSONAL INJURY AND/OR PROPERTY DAMAGE AND WILL VOID WARRANTY.**

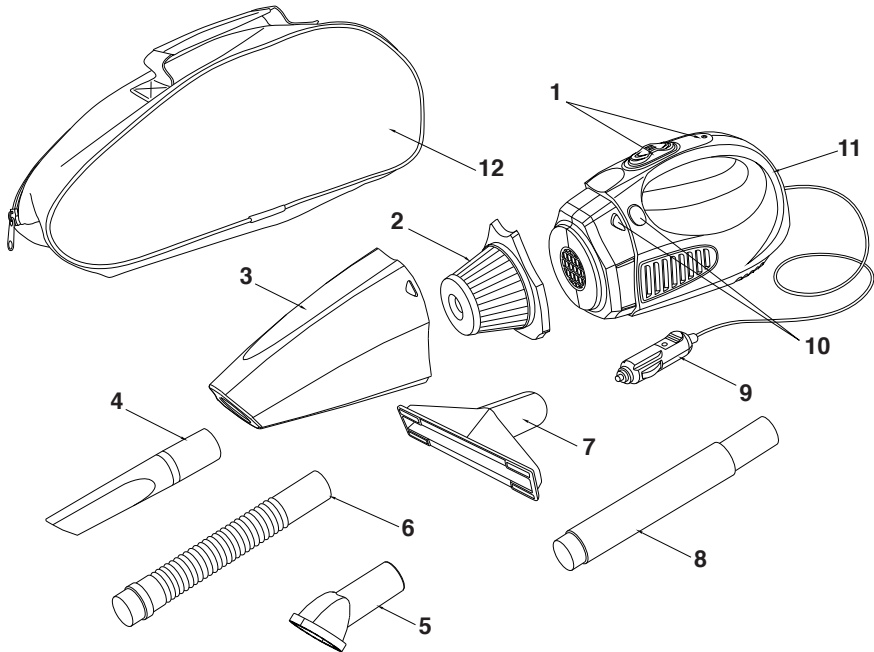
1. Always use common sense and pay particular attention to all the DANGER, WARNING, CAUTION and NOTICE statements of this manual. The safety instructions provided are not intended to cover all possible conditions and practices that may occur when operating, maintaining and cleaning power tools.
2. Observe work area conditions. Do not use machines or power tools in damp or wet locations. Don't expose to rain or snow. Keep work area well lighted. Do not use electrically powered tools in the presence of flammable gases or liquids. Do not bring combustible materials near the tools. Power tools create sparks, which may ignite the dust or fumes. Do not immerse tool in liquids. Keep work area clean, well ventilated and well lit. Cluttered work areas invite accidents.
3. Use personal protective equipment. Wear ANSI approved safety goggles. Protective equipment such as dusk mask, non-skid safety shoes, hard hat, heavy duty work gloves or hearing protection used for appropriate conditions will reduce personal injuries.
4. Keep bystanders, children and visitors away while operating this product. Distractions can cause you to lose control.
5. Stay alert. Watch what you are doing, and use common sense when operating this tool. Do not use this product while tired or under the influence of drugs, alcohol, or medication. A moment of inattention while operating this product may result in serious personal injury. Keep proper footing and balance at all times. Do not reach over or across running machines, hoses, cords, etc.
6. Dress properly. Do not wear loose clothing or jewelry. Keep your hair, clothing and gloves away from moving parts. Loose clothes, jewelry or long hair can be caught in moving parts.
7. Work Safe. Operate tool a safe distance from yourself and others in the work area. Keep proper footing and balance at all times. Do not overreach, especially on ladders. Be certain ladders being used are sturdy, stable, on a firm surface and erected as safe working angles. Do not reach over or across running machines, hoses, cords, etc.
8. Inspect tool before every use; do not use if parts are loose or damaged.

# IMPORTANT SAFETY INFORMATION

9. Do not alter this product in any way.
10. Power tool plugs must match the outlet. Never modify the plug in any way. Do not use any adapter plugs with earthed (grounded) power tools. Unmodified plugs and matching outlets will reduce risk of electric shock.
11. People with pacemakers should consult their physician(s) before use. Electromagnetic fields in close proximity to heart pacemaker could cause pacemaker interference or pacemaker failure. In addition, people with pacemakers should:
  - Avoid operating alone.
  - Properly maintain and inspect to avoid electrical shock.
  - Any power cord must be properly grounded. Ground Fault Circuit Interrupter (GFCI) should also be implemented – it prevents sustained electrical shock.
12. Avoid body contact with earthed or grounded surfaces such as pipes, radiators, ranges and refrigerators. There is an increased risk of electric shock if your body is earthed or grounded.
13. Do not expose power tools to rain or wet conditions. Water entering a power tool will increase the risk of electric shock.
14. Do not abuse the cord. Never use the cord for carrying, pulling or unplugging the power tool. Position the cord clear of the spinning accessory. If you lose control, the cord may be cut or snagged and your hand or arm may be pulled into the spinning accessory. Keep cord away from heat, oil, sharp edges or moving parts. Damaged or entangled cords increase the risk of electric shock.
15. When operating a power tool outdoors, use an extension cord suitable for outdoor use. Use of a cord suitable for outdoor use reduces the risk of electric shock.
16. If operating a power tool in a damp location is unavoidable, use a ground fault circuit interrupter (GFCI) protected supply. Use of a GFCI reduces the risk of electric shock.
17. Use power tool ONLY on adequately rated circuits to avoid overheating of electrical systems.
18. Prevent accidental starting. Ensure switch is in the "OFF" position before connecting to power source and/or battery pack, picking up or carrying the tool. Carrying power tools with your finger on the switch or energizing power tools that have the switch "ON" invites accidents.
19. Do not use the power tool if the switch does not turn it on and off. Any power tool that cannot be controlled with the switch is dangerous and must be repaired.
20. Have your power tool serviced by a qualified repair person using only identical replacement parts. This will ensure that the safety of the power tool is maintained. Follow instructions in the Maintenance section of this manual. Use of unauthorized parts or failure to follow Maintenance Instructions may create a risk of shock or injury.
21. Maintain labels and nameplates on the tool. These carry important safety information. If unreadable or missing, contact Performance Tool® for a replacement.
22. Disconnect the plug from the power source before making any adjustments or changing accessories. Such preventive safety measures reduce the risk of starting the power tool accidentally.
23. Maintain power tools. Check for misalignment or binding of moving parts, breakage of parts and any other condition that may affect the power tool's operation. Regularly clean the power tool's air vents. The motor's fan will draw the dust inside the housing and excessive accumulation of powdered metal may cause electrical hazards. If damaged, have the power tool repaired before use. Many accidents are caused by poorly maintained power tools.
24. Do not use accessories which are not specifically designed and recommended by the tool manufacturer. Just because the accessory can be attached to your power tool, it does not assure safe operation.
25. The rated speed of the accessory must be at least equal to the maximum speed marked on the power tool. Accessories running faster than their RATED SPEED can break and fly apart.
26. Use the power tool, accessories and tool bits etc. in accordance with these instructions, taking into account the working conditions and the work to be performed. Use of the power tool for operations different from those intended could result in a hazardous situation.
27. Keep cutting accessories sharp and clean. Properly maintained cutting accessories with sharp cutting edges are less likely to bind and are easier to control.
28. Store idle equipment. When not in use, tools must be stored in a dry location to inhibit rust. Always lock up tools and keep out of reach of children and other untrained persons. Switch off all unused electrical tools when stored. Disconnect battery from unit. Tools are dangerous in the hands of untrained users.
29. WARNING: Some dust created by power sanding, sawing, grinding, drilling, and other construction activities, contains chemicals known [to the State of California] to cause cancer, birth defects or other reproductive harm. Some examples of these chemicals are:
  - Lead from lead-based paints.
  - Crystalline silica from bricks and cement or other masonry products.
  - Arsenic and chromium from chemically treated lumber.Your risk from these exposures varies, depending on how often you do this type of work. To reduce your exposure to these chemicals: work in a well ventilated area, and work with approved safety equipment, such as those dust masks that are specially designed to filter out microscopic particles. (California Health & Safety Code § 25249.5, et seq.)
30. VIBRATION WARNING: This tool vibrates during use. Repeated or long-term exposure to vibration may cause temporary or permanent physical injury, particularly to the hands, arms and shoulders. To reduce the risk of vibration-related injury:
  1. Anyone using vibrating tools regularly or for an extended period should first be examined by a doctor and then have regular medical check-ups to ensure medical problems are not being caused or worsened from use. Pregnant women or people who have impaired blood circulation to the hand, past hand injuries, nervous system disorders, diabetes, or Raynaud's Disease should not use this tool. If you feel any medical or physical symptoms related to vibration (such as tingling, numbness, and white or blue fingers), seek medical advice as soon as possible.
  2. Do not smoke during use. Nicotine reduces the blood supply to the hands and fingers, increasing the risk of vibration-related injury.
  3. Wear suitable gloves to reduce the vibration effects on the user.
  4. Use tools with the lowest vibration when there is a choice between different processes.
  5. Include vibration-free periods each day of work.
  6. Grip tool as lightly as possible (while still keeping safe control of it). Let the tool do the work.
  7. To reduce vibration, maintain the tool as explained in this manual. If any abnormal vibration occurs, stop use immediately.
31. The warnings, precautions, and instructions discussed in this instruction manual cannot cover all possible conditions and situations that may occur. It must be understood by the operator that common sense and caution are factors which cannot be built into this product, but must be supplied by the operator.

**WARNING:** This product and its packaging contain a chemical known to the State of California to cause cancer, birth defects, or other reproductive harm.

# CONTROLS, COMPONENTS & ACCESSORIES



1. On/off Switch

2. HEPA Filter

3. Dust/debris Canister

4. Crevice Tool

5. Bristled Brush

6. 11 in. Extension Hose

7. Dust Brush

8. 10 in. Extension

9. 12 Volt Cord/plug

10. Canister release buttons

11. Vacuum Housing

12. Storage/Carrying Case

## SPECIFIC SAFETY INSTRUCTIONS

**WARNING:** To reduce the risk of fire, electric shock, or injury to persons:

- READ ALL INSTRUCTIONS BEFORE USING THIS VACUUM CLEANER
- Use only as intended and described in this manual. This device is not designed for industrial applications. The device cannot be used for other purposes than its intended use.
- Do not use other attachments or accessories.
- Always inspect vacuum before use. Never operate with a damaged vacuum, cord, power outlet or damaged accessory. Do not use if vacuum operates improperly, has been dropped, damaged, cracked or gotten wet. Do not submerge or operate in rain.
- Do not attempt to repair vacuum or replace any internal parts.
- Do not abuse the cord. Do not carry the vacuum by its cord or pull on the cord to unplug.
- Do not use an extension cord. Plug directly into a 12V outlet in your vehicle.
- Do not block the vents or intake on the vacuum. Check thoroughly where you are working and remove any dangerous items that can be sucked into the vent or should not be vacuumed.
- Keep hair, jewelry, loose clothing, fingers, and other foreign objects away from any openings and moving parts.
- Do not vacuum cigarettes, hot ashes, matches, or other hot or combustible materials.
- Do not operate vacuum in the presence of flammable or combustible liquids such as gasoline.
- Do not operate without canister and filter properly in place.
- Keep out of reach of children. Store in a safe place.

## PREPARATION

- Always empty and clean the canister and filter as needed before and after each use. This will help maintain maximum suction. To release canister press both Canister release buttons and pull away from vacuum.
- Work only in daylight or good artificial light.
- Avoid sucking in water or other liquids. Do not use with any combustible materials.
- When moving the vacuum from one work area to another, turn it off and unplug it between uses.
- Do not use the tool, if the canister, filter or nozzle is damaged or not attached. Do not use any damaged attachments.
- Make sure the vents are free from dirt, debris or other blockages.
- Unplug the vacuum during any of the following:
  - Every time you walk away from the device
  - Before inspecting, cleaning or repairing the device
  - After the device has been struck by a foreign object - check if it is broken
  - If it begins to vibrate excessively
  - If it overheats, smokes, or makes unusual noises

## GENERAL OPERATION

**▲WARNING** Read the ENTIRE IMPORTANT SAFETY INFORMATION section at the beginning of this manual including all text under subheadings therein before set up or use of this product.

- Ensure the canister and filter are properly installed.
- Remove cigarette lighter or outlet cover from your vehicles 12V outlet and insert the plug from the vacuum. NOTE: Ensure plug is properly inserted into the outlet. The red light should go on indicating sufficient power is present.
- Push the power switch forward to turn on the vacuum.

## USING ATTACHMENTS

- To use the attachments (i.e. the crevice tool and brush tool), turn the vacuum off and insert the desired attachment into the nozzle of the vacuum.
- The flexible and extension can be used in combination with the other attachments.

## STORAGE/CLEANING

- It is recommended that you clean the device after each use. Do not wash or clean the vacuum motor housing with water. Use only dry cloths, brushes or compressed air.
- If possible, the motor housing should be always kept free from dust and debris.
- Wipe the device with a clean cloth or blow it with low pressure compressed air.
- Do not use water or chemical cleaning agents for cleaning the housing.
- Be careful to prevent water from penetrating any part of the vacuum.
- Disconnect attachments. Check to ensure there is no blocking debris present.
- Press both Canister release buttons to disconnect the canister. Remove the filter by pulling on the center portion of the insert, and properly dispose of collected dust, debris, etc.
- If necessary, use mild soap and warm water to clean the canister and filter. Allow both to thoroughly dry before reinserting filter and replacing canister on vacuum.
- Vacuum attachments may be removed from the canister and cleaned with mild soap and warm water.
- Warp cord tightly, insert vacuum and attachments into storage bag and zip closed. Store in a cool, dry and safe place.

## ENVIRONMENT PROTECTION

Expended electrical equipment can contain substances or materials that are hazardous and pose a potential risk for environment and human health. Do not dispose of electrically powered products with household waste. They should be processed in appropriate facilities. Obtain information on proper waste management from your seller or local authorities.

### 1 YEAR LIMITED WARRANTY

PERFORMANCE TOOL® extends only the following warranties, and only to original retail purchasers. These warranties give specific legal rights. Except where prohibited by local law, the law of the State of Washington governs all warranties and all exclusions and limitations of warranties and remedies. There may be other rights which vary from state to state.

PERFORMANCE TOOL® warrants the product to be free from defects in materials and workmanship under normal use and service. A defective product may be returned for a free replacement within 90 days from the date of purchase, provided that product is returned to place of purchase immediately after discovery of defect. After 90 days and up to one year from date of purchase, PERFORMANCE TOOL® will replace at no charge any parts which our examination shall disclose to be defective and under warranty.

These warranties exclude blades, bits, punches, dies, bulbs, fuses, hoses, and other consumables which must be replaced under normal use and service. These warranties shall not apply to any product or part which is used for a purpose for which it is not designed, or which has been repaired or altered in any way so as to affect adversely its performance or reliability, nor shall these warranties apply to any product or part which has been subject to misuse, neglect, accident or wear and tear incident to normal use and service.

PERFORMANCE TOOL® does not authorize any other person to make any warranty or to assume any liability in connection with its products.

Except for warranties of title and the limited express warranties set forth above, PERFORMANCE TOOL® makes no express or implied warranties of any kind with respect to its products. In particular, PERFORMANCE TOOL® makes no implied warranty of merchantability and no implied warranty of fitness for any particular purpose, except that for goods purchased primarily for personal, family or household use and not for commercial or business use, PERFORMANCE TOOL® makes an implied warranty of merchantability (and, if otherwise applicable, an implied warranty of fitness for a particular purpose), but only for the particular qualities or characteristics, and for the duration, expressly warranted above. The laws on limitation of implied warranties may differ from state to state, so the above limitations may not apply in all cases.

PERFORMANCE TOOL® shall not be liable for consequential, incidental or special damages resulting from or in any manner related to any product, or to the design, use, or any inability to use the product. The sole and exclusive remedy for a defective product or part shall be the repair, or replacement thereof as provided above. The laws on limitation of remedies or on consequential, incidental or special damages may vary from state to state, so the above limitations may not apply in all cases.