

1 YEAR LIMITED WARRANTY

PT POWER® extends only the following warranties, and only to original retail purchasers. These warranties give specific legal rights. Except where prohibited by local law, the law of the State of Washington governs all warranties and all exclusions and limitations of warranties and remedies. There may be other rights which vary from state to state.

PT POWER® warrants the product to be free from defects in materials and workmanship under normal use and service. A defective product may be returned for a free replacement within 90 days from the date of purchase, provided that product is returned to place of purchase immediately after discovery of defect. After 90 days and up to one year from date of purchase, PT POWER® will replace at no charge any parts which our examination shall disclose to be defective and under warranty.

These warranties exclude blades, bits, punches, dies, bulbs, fuses, hoses, and other consumables which must be replaced under normal use and service. These warranties shall not apply to any product or part which is used for a purpose for which it is not designed, or which has been repaired or altered in any way so as to affect adversely its performance or reliability, nor shall these warranties apply to any product or part which has been subject to misuse, neglect, accident or wear and tear incident to normal use and service.

PT POWER® does not authorize any other person to make any warranty or to assume any liability in connection with its products.

Except for warranties of title and the limited express warranties set forth above, PT POWER® makes no express or implied warranties of any kind with respect to its products. In particular, PT POWER® makes no implied warranty of merchantability and no implied warranty of fitness for any particular purpose, except that for goods purchased primarily for personal, family or household use and not for commercial or business use, PT POWER® makes an implied warranty of merchantability (and, if otherwise applicable, an implied warranty of fitness for a particular purpose), but only for the particular qualities or characteristics, and for the duration, expressly warranted above.

The laws on limitation of implied warranties may differ from state to state, so the above limitations may not apply in all cases.

PT POWER® shall not be liable for consequential, incidental or special damages resulting from or in any manner related to any product, or to the design, use, or any inability to use the product. The sole and exclusive remedy for a defective product or part shall be the repair, or replacement thereof as provided above. The laws on limitation of remedies or on consequential, incidental or special damages may vary from state to state, so the above limitations may not apply in all cases.

On occasion, after printing of our literature is completed, our manufacturers may make changes and/or modifications to merchandise which will not be reflected in this manual. Although we strive to maintain complete and accurate information, it is possible in some instances, that the product may differ slightly from printed specifications. Illustrations are intended for reference only. Actual merchandise may vary. Wilmar is not responsible for typographical errors.



RECHARGEABLE PORTABLE LED WORK LIGHT

Item Number W2406

OWNER'S MANUAL



SPECIFICATIONS:

Light Output.....	1020 Lumens
Beam Distance.....	61 Meters
Maximum Intensity.....	924cd
Runtime.....	1.5 hours
Input.....	3.8V @ 2.5A
Voltage.....	3.6V @ 2.5A output
Power Supply.....	4Ah li-ion battery



▲ WARNING!

It is the owner and/or operators' responsibility to study all WARNINGS, operating, and maintenance instructions contained on the product label and instruction manual prior to operation of this work light. The owner/operator shall retain product instructions for future reference.

The owner and/or operator are responsible for maintenance, maintaining all decals or warning labels and while in use, maintaining the unit in good working order. If the owner and/or operator are not fluent in English, the product warnings and instructions shall be read and discussed with the operators' native language by the purchaser/owner or his designee. Make sure that the operator comprehends its contents. Safety information shall be emphasized and understood prior to usage. The work light shall be inspected per the operating instructions.

Protect yourself and others by observing all safety information.

Failure to comply with instructions could result in personal injury and/or property damage!

Please read these instructions carefully and retain them for future use.

WARNING! IF THE USB CHARGING CORD INCLUDED WITH THIS LIGHT IS DAMAGED, DO NOT USE. IT MUST BE REPLACED. A standard micro usb cable should suffice.

Note: Replacement parts may not be available for this item.

LITHIUM BATTERY SAFETY WARNINGS

WARNING! LITHIUM BATTERIES STORE A LARGE AMOUNT OF ENERGY AND CAN VENT FIRE OR EXPLODE IF MISTREATED:

1. Keep work light dry.
2. DO NOT DO ANY OF THE FOLLOWING TO THE WORK LIGHT OR BATTERY:
A. Open B. Drop C. Short-circuit D. Incinerate E. Expose to temperatures greater than 140°F.
3. Recharge the work light with only the included accessories or replacement accessories with the same amperage and voltage specifications.
4. If the unit becomes hot, or exhibits any signs of electrical malfunction unplug and discontinue use immediately.
5. Inspect Work Light before every use. Do not use if there are any signs of damage, corrosion, over-heating or moisture.

IMPORTANT SAFETY INSTRUCTIONS

⚠WARNING! To reduce the risk of FIRE, ELECTRIC SHOCK, EXPOSURE TO EXCESSIVE UV RADIATION, OR INJURY TO PERSONS:

1. Do not look directly at lighted Work Light.
2. Avoid electric shock. Do not charge with an extension cord near water or where water may accumulate. Keep the light at least 16 feet (5 m) from pools and spas. Keep plugs and receptacles dry. Use only on GFCI-protected circuits. Do not submerge the light in water.
3. The light is not waterproof. Use extreme caution in any wet location.
4. Do not obstruct walkways or common areas with the USB charging cord.
5. Maintain labels and nameplates on the light. These carry important safety information.
6. This product is not intended for use in a residence or to be mounted in a cabinet. This product is not suitable for recessed installation in ceilings or on buildings. This product can cause a fire.
7. Do not leave the light unattended when it is plugged into an electrical outlet. Turn off the light, and unplug it from its electrical outlet before leaving.
8. This product is not a toy. Keep it out of reach of children.
9. People with pacemakers should consult their physician(s) before use. Electromagnetic fields in close proximity to heart pacemaker could cause pacemaker interference or pacemaker failure. In addition, people with pacemakers should:
· Avoid operating alone. · Properly maintain and inspect to avoid electrical shock.
10. **⚠WARNING:** Handling the cord on this product will expose you to lead, a chemical known to the State of California to cause cancer, and birth defects or other reproductive harm. Wash hands after handling.
11. The warnings, precautions, and instructions discussed in this instruction manual cannot cover all possible conditions and situations that may occur. It must be understood by the operator that common sense and caution are factors which cannot be built into this product, but must be supplied by the operator.
12. Do not operate light in explosive atmospheres, such as in the presence of flammable liquids, gases, or dust. This light creates sparks which may ignite the dust or fumes.
13. Do not abuse the cord. Never use the cord for carrying, pulling or unplugging the light. Keep the cord away from heat, oil, sharp edges, and moving parts. Damaged or entangled cords increase the risk of electric shock.
14. Stay alert, watch what you are doing, and use common sense when operating the light. Do not use light while you are tired or under the influence of drugs, alcohol, or medication. A moment of inattention while operating light may result in serious personal injury.
15. Do not use the light if the On/Off Button does not turn it on and off. Any light that cannot be controlled with the power button is dangerous and must be repaired.
16. Have the light serviced by a qualified repair person. Use only identical replacement parts. This will ensure that the safety of the light is maintained.
17. Wear ANSI-approved goggles during setup and use.

SETUP

1. Slide the bracket (22) over the top arm of the base (27), aligning the hole in the front of the bracket with the hole in the front base (27).
2. Insert base screw (25) through nut base (23) and into the hole on the front of coupling bracket (22). Tighten loosely.
3. Insert handle (16) into coupling bracket (22) and align the 2 holes in each.
4. Insert the wing nuts (26) through the bottom of the holes in the Base (27) and place light bracket (21) on top. Tighten with M6 nuts (20).

OPERATING INSTRUCTIONS

Before first use be sure the work light is fully charged. Using the included USB cable, find a standard USB outlet and plug the cord in to the micro USB port in the back of the work and then into the USB outlet. A red LED indicator light signals unit is charging. A green indicates light means the unit is fully charged and ready to use.

1. Follow charging instructions above
2. To turn on, push the power switch on the back of the light.
3. To turn off, push the power switch again.
4. To prevent accidents turn light off when finished, do not leave plugged in, and do not operate while plugged in. Clean, then store the light indoors out of children's reach.

TO PREVENT SERIOUS INJURY FROM ACCIDENTAL OPERATION:

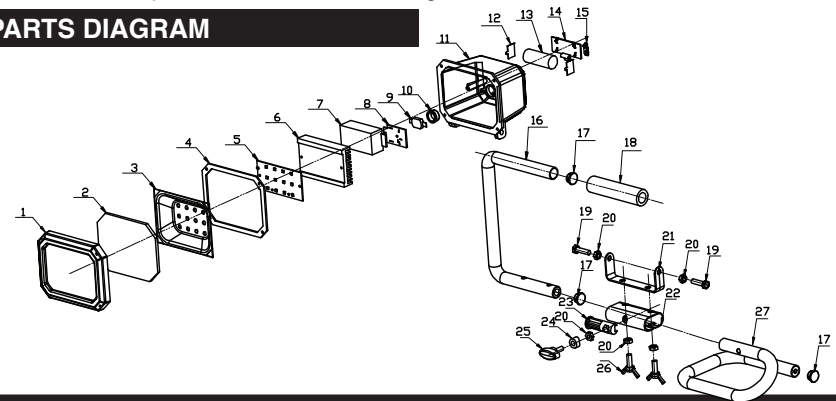
Make sure that the On/Off Button is in the OFF position and unplug the tool from its electrical outlet before performing any procedure in this section.

TO PREVENT SERIOUS INJURY FROM LIGHT FAILURE:

Do not use damaged equipment. If damage is noted, have the problem corrected before further use.

1. **BEFORE EACH USE**, inspect the general condition of the light. Check for loose hardware, damaged cord/electrical wiring, cracked or broken parts and any other condition that may affect its safe operation.
2. **AFTER USE**, wipe external surfaces of the Light with a clean cloth.

PARTS DIAGRAM



Part	Description	Qty	Part	Description	Qty
1	Head Cover	1	15	LED Indicator.....	1
2	Lens.....	1	16	Handle	1
3	Light Reflector	1	17	End Cap	3
4	Rubber Ring	1	18	Foam Grip	1
5	LED Board Assembly	1	19	M6 Screw.....	2
6	Heat Sink.....	1	20	M6 Nut.....	2
7	LED Driver.....	1	21	Light Bracket	1
8	PCB Board	1	22	Coupling Bracket	1
9	Switch.....	1	23	Nut Base.....	1
10	Switch Cover	1	24	Backup Ring	1
11	Housing	1	25	Base Screw	1
12	Battery Contacts.....	2	26	Wing Nut.....	2
13	Lithium Ion Battery	1	27	Base	1
14	Battery Mount.....	1			