

# DUAL ACTION AIRBRUSH KIT

Stock Number M676

## OWNERS MANUAL



Performance Tool®

**PT**  
Performance Tool®

Please read these instructions carefully and retain them for future use.

On occasion, after printing of our literature is completed, our manufacturers may make changes and/or modifications to merchandise which will not be reflected in this manual. Although we strive to maintain complete and accurate information, it is possible in some instances, that the product may differ slightly from printed specifications. Illustrations are intended for reference only. Actual merchandise may vary. Wilmar is not responsible for typographical errors.

## SPECIFICATIONS

Air Pressure:.....	10 - 35 P.S.I.	Avg. Air Consumption (CFM):.....	1
Spray Pattern:.....	1/16 - 1-1/4 in.	Fluid Inlet (NPS):.....	1/8 in.
Nozzle Size:.....	0.35 MM	Air Inlet (NPS):.....	1/4 in.
Cup Capacity:.....	5 cc, 3/4 & 1-5/16 oz		

Specifications are subject to change without notice

## IMPORTANT SAFETY INFORMATION

### WARNING!

**READ, UNDERSTAND AND FOLLOW ALL INSTRUCTIONS AND WARNINGS BEFORE OPERATING THIS TOOL. FAILURE TO DO SO MAY RESULT IN PERSONAL INJURY AND/OR PROPERTY DAMAGE AND WILL VOID WARRANTY.**

1. Keep work area clean. Cluttered areas invite injuries.
2. Observe work area conditions. Do not use machines or power tools in damp or wet locations. Don't expose to rain. Keep work area well lighted. Do not use electrically powered tools in the presence of flammable gases or liquids. **Always keep work area free from obstructions and well ventilated.**
3. Keep children away. Children must never be allowed in the work area. Do not let them handle machines, tools, hoses or extension cords.
4. Store idle equipment. When not in use, tools must be stored in a dry location to inhibit rust. Always lock up tools and keep out of reach of children and other untrained persons. Switch off all unused electrical tools when stored. Tools are dangerous in the hands of untrained users.
5. **WARNING: All persons in the work area must always wear approved eye and ear protection and approved breathing apparatus when this spray gun is in operation.**
6. Work Safe. Do not wear loose clothing or jewelry that could become caught by moving parts, causing injury. Operate tool a safe distance from yourself and others in the work area. Keep proper footing and balance at all times. Do not reach over or across running machines, hoses, etc.
7. Stay alert. Watch what you are doing, use common sense. Be sure all personnel are clear of the direction of the spray gun. Do not operate any tool when you are tired.
8. Do not operate any tool if under the influence of alcohol or drugs. Read warning labels on prescriptions to determine if your judgment or reflexes are impaired while taking drugs. If there is any doubt, do not operate any tool.
9. Never aim spray gun at anyone. Do not spray near sparks, open flame, lit cigarettes, pilot lights, space heaters or any other potential ignition source. **DO NOT SMOKE IN WORK AREA.**
10. Follow air source manufacturers directions for connection of regulators, filters, and other accessories to air source. Do not install quick couplers directly on tool as they put unnecessary strain on the air inlet threads possibly causing them to wear out prematurely. Instead, install them on a short length of air hose attached to the tool.
11. Follow manufacturers instructions and safety information to ensure safe handling and proper use of paints, lacquers, thinners, base coats, etc. Do not use latex or other heavy paints. They are not recommended for this spray gun.
12. Always disconnect spray gun from air source before disassembly.
13. **Warning!** Solvents 1,1,1-Trichloroethane and Methylene Chloride (Dichloromethane - sometimes called Methylchloride) can chemically react with the Aluminum used in most spray equipment creating an explosion hazard. Read the label or data sheet from the material you intend to spray. NEVER use any material containing these solvents. If unsure as to the composition of your material, check with your supplier. Do not use acids for cleaning.
14. Check for damaged parts. Before using any tool, any part that appears damaged should be carefully checked to determine that it will operate properly and perform its intended function. Check for alignment and binding of moving parts; any broken parts or mounting fixtures; and any other condition that may affect proper operation. Any part that is damaged should be properly repaired or replaced by a qualified technician.
15. Maintenance. For your safety, maintenance should be performed regularly by a qualified technician using original PERFORMANCE TOOLS® replacement parts. Failure to do so can lead to accidents for the operator. Use of any other parts will void the warranty. Only use accessories intended for use with this tool. Approved accessories are available from Performance Tool®. Use only accessories that are recommended by the manufacturer for your model. Accessories that may be suitable for one tool may become hazardous when used on another tool.

**WARNING:** This product and its packaging contain a chemical known to the State of California to cause cancer, birth defects, or other reproductive harm.

**WARNING:** The warnings, cautions, and instructions discussed in this instruction manual cannot cover all possible conditions and situations that may occur. It must be understood by the operator that common sense and caution are factors which cannot be built into this product, but must be supplied by the operator. Read and understand all of the instructions provided in the instruction manual of this product, as well as, any other tool (s) used with this product.

## CARE & MAINTENANCE

**Warning! To achieve the best results when spraying always clean the air brush of any paint deposits, dirt or other contaminants. Thoroughly clean the air brush immediately after each use.**

To protect the precision machined internal parts and fittings in this airbrush from corrosion during shipping, some oils or other corrosion resistant agents may have been applied. It is important to remove any such residue before attempting to use the airbrush. To clean, place a small amount of appropriate thinner into paint cup and spray through the airbrush while pulling and releasing trigger repeatedly. Wipe exterior of the airbrush, nozzle and paint cup. In some cases, if the airbrush becomes clogged, disassemble completely and soak all parts in thinner. After soaking, use wire and cleaning brush to clear small internal

passages.

A clean air source is imperative to ensure peak performance. The use of an in-line air filter is highly recommended to keep any contaminants from entering the spray gun.

Inspect all fittings and hardware to ensure proper seating. Be sure air line fittings are tight with no leaks. Replace any worn parts as necessary.

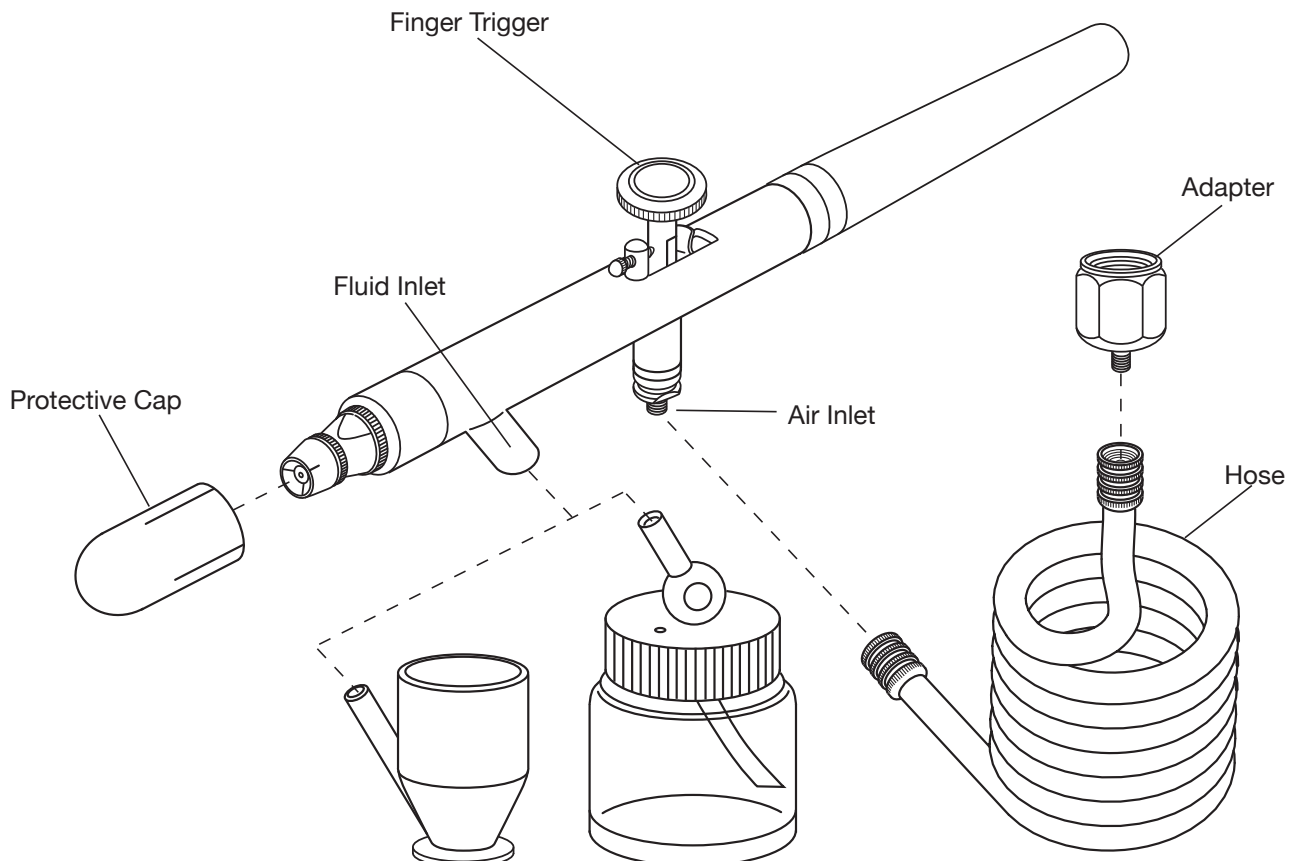
Check needle and nozzle for nicks, scratches or burrs. Any such conditions will seriously impair performance. Replace as necessary.

## ASSEMBLY & OPERATION

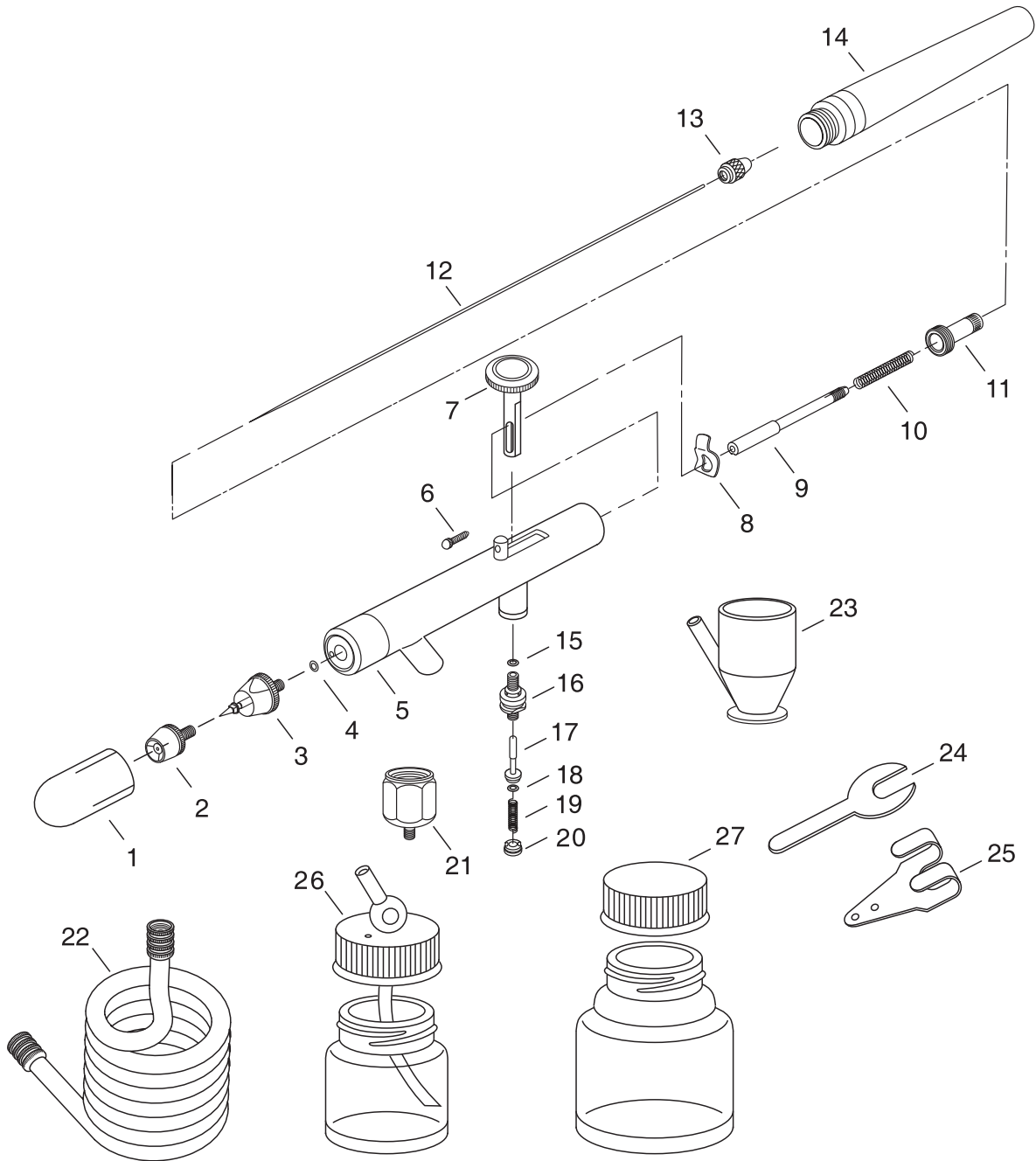
1. Select the appropriate size paint cup (23, 26, 27). If using a jar, connect the lid with the fluid nozzle to the fluid inlet on the gun body (5).
2. Thread one end of the air hose (22) onto the air inlet at the base of the air brush.
3. Attach the other end of the hose to an air supply such as a compressed air canister, CO2 tank, or use the 1/8 in. adapter (21) and connect to a standard 1/4 in. NPT air line.

### OPERATING INSTRUCTIONS

1. After attaining desired paint mixture, fill the appropriate paint cup and attach to air brush.
2. Always maintain a secure grip on the air brush, and be sure air hose is unobstructed before you begin spraying.
3. Depress Finger Trigger (7) to begin flow of air. Gradually draw the lever back to release fluid. Always test the airbrush on a sample area before spraying the work surface.
4. Spray pattern will vary based on the distance between the work surface and air brush. For a fine line spray, remove the air cap (2) and hold the air brush near a work surface.



# REPLACEMENT PARTS LIST



# REPLACEMENT PARTS LIST

#	Description	Qty.	#	Description	Qty.
1.	Protective Cap	1	11.	Needle Adjusting Sleeve	1
2.	Air Cap	1	12.	Needle	1
3.	Nozzle	1	13.	Needle Chucking Net	1
4.	O-Ring	1	14.	Needle Cover	1
5.	Gun Body	1	15.	O-Ring	1
6.	Adjustment Screw	1	16.	Valve Body	1
7.	Finger Trigger	1	17.	Valve Rod	1
8.	Rocker	1	18.	O-Ring	1
9.	Needle Chucking Guide	1	19.	Spring	1
10.	Spring	1	20.	Valve Screw	1

## REPLACEMENT PARTS LIST


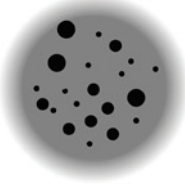
#	Description	Qty.	#	Description	Qty.
21.	1/4 NPT x M5-45 Adapter	1	25.	Metal Hanger	1
22.	Air Line Assembly	1	26.	3/4 oz. Paint Jar	1
23.	5 cc Metal Paint Cup	1	27.	1-5/16 oz. Mixing Jar	1
24.	7 mm Wrench	1			

## TROUBLESHOOTING

Your spray gun was constructed with quality materials and workmanship and will give you many years of trouble free use when cared for as described in the "Care and Maintenance" section. However, as with any mechanical device,

periodic adjustments are necessary to maintain a peak level of performance. Should your spray gun be displaying any of the following symptoms, the simple procedures shown below will correct the problem.

**WARNING - Disconnect spray gun from air source before making adjustments**

Problem:	Probable Cause:	Solution:
	<b>Irregular or Offset Pattern</b> This can be caused by 1. A dirty or damaged Needle tip or Fluid Nozzle 2. Clogged atomization holes on Air Nozzle around the center	1. Clean or replace Needle or Fluid Nozzle. 2. Clean Air Nozzle
	<b>Spitting</b> 1. Too little material in cup 2. Loose Fluid Nozzle 3. Damaged Needle Packing 4. Dirty or damaged Needle & Nozzle Set.	1. Refill cup 2. Tighten Nozzle 3. Replace Packing 4. Clean or replace parts
	<b>Material in cup bubbles or "Boils"</b> 1. Loose, clogged or damaged Fluid Nozzle 2. Loose, clogged or damaged Air Nozzle	1. Clean, tighten or replace 2. Clean, tighten or replace

**NOTE:**

Problems listed above with more than one solution may have a combination of causes. Please be sure that all solutions listed for each problem have been checked to eliminate possibility of further trouble. Sometimes solutions may need to be repeated for best results.

## LIMITED WARRANTY

PERFORMANCE TOOL® extends only the following warranties, and only to original retail purchasers. These warranties give specific legal rights. Except where prohibited by local law, the law of the State of Washington governs all warranties and all exclusions and limitations of warranties and remedies. There may be other rights which vary from state to state.

PERFORMANCE TOOL® warrants the product to be free from defects in materials and workmanship under normal use and service. A defective product may be returned for a free replacement within 90 days from the date of purchase, provided that product is returned to place of purchase immediately after discovery of defect. After 90 days and up to one year from date of purchase, PERFORMANCE TOOL® will replace at no charge any parts which our examination shall disclose to be defective and under warranty.

These warranties exclude blades, bits, punches, dies, bulbs, fuses, hoses, and other consumables which must be replaced under normal use and service. These warranties shall not apply to any product or part which is used for a purpose for which it is not designed, or which has been repaired or altered in any way so as to affect adversely its performance or reliability, nor shall these warranties apply to any product or part which has been subject to misuse, neglect, accident or wear and tear incident to normal use and service.

PERFORMANCE TOOL® does not authorize any other person to make any warranty or to assume any liability in connection with its products.

Except for warranties of title and the limited express warranties set forth above, PERFORMANCE TOOL® makes no express or implied warranties of any kind with respect to its products. In particular, PERFORMANCE TOOL® makes no implied warranty of merchantability and no implied warranty of fitness for any particular purpose, except that for goods purchased primarily for personal, family or household use and not for commercial or business use, PERFORMANCE TOOL® makes an implied warranty of merchantability (and, if otherwise applicable, an implied warranty of fitness for a particular purpose), but only for the particular qualities or characteristics, and for the duration, expressly warranted above. The laws on limitation of implied warranties may differ from state to state, so the above limitations may not apply in all cases.

PERFORMANCE TOOL® shall not be liable for consequential, incidental or special damages resulting from or in any manner related to any product, or to the design, use, or any inability to use the product. The sole and exclusive remedy for a defective product or part shall be the repair, or replacement thereof as provided above. The laws on limitation of remedies or on consequential, incidental or special damages may vary from state to state, so the above limitations may not apply in all cases.