

# 50 FT x 3/8 IN AIR HOSE

Stock Number M672

## OWNERS MANUAL



### **▲ WARNING**

*It is the owner and/or operators' responsibility to study all WARNINGS, operating, and maintenance instructions contained on the product label and instruction manual prior to operation of this hose reel. The owner/operator shall retain product instructions for future reference.*

*The owner and/or operator are responsible for maintenance, maintaining all decals or warning labels and while in use, maintaining the unit in good working order. If the owner and/or operator are not fluent in English, the product warnings and instructions shall be read and discussed with the operators' native language by the purchaser/owner or his designee. Make sure that the operator comprehends its contents. Safety information shall be emphasized and understood prior to usage. The hose reel shall be inspected per the operating instructions.*

*Protect yourself and others by observing all safety information.*

*Failure to comply with instructions could result in personal injury and/or property damage!*

# PT

Performance Tool

Please read these instructions carefully and retain them for future use.

On occasion, after printing of our literature is completed, our manufacturers may make changes and/or modifications to merchandise which will not be reflected in this manual. Although we strive to maintain complete and accurate information, it is possible in some instances, that the product may differ slightly from printed specifications. Illustrations are intended for reference only. Actual merchandise may vary. Wilmar is not responsible for typographical errors.

Performance Tool®

## SPECIFICATIONS

Maximum Working Pressure.....	300 PSI
Air Outlet.....	Brass 1/4 in. Male NPT
Air Inlet .....	Brass 1/4 in. Male NPT
Hose Dimensions.....	50 ft. x 3/8 in.

### Contents:

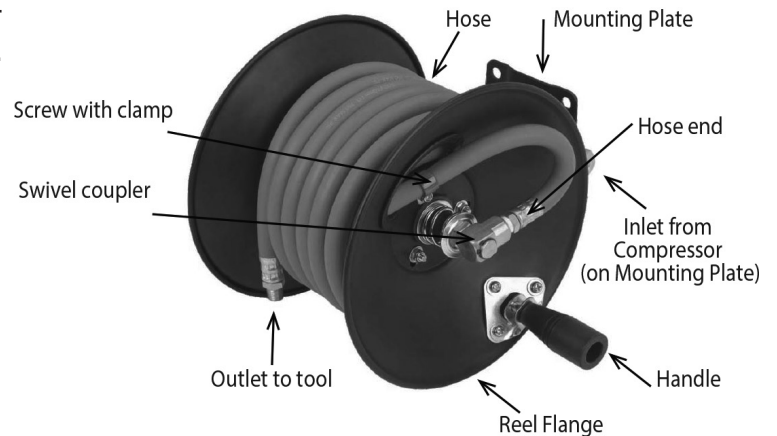
Pre-Assembled Hose Reel  
Instruction Manual  
Handle & Bolts

Make sure all parts listed above are enclosed.

### Tools Needed for Assembly:

Phillips screwdriver and adjustable wrench.

**Specifications are subject to change without notice**



## IMPORTANT SAFETY INFORMATION

Read these safety warnings before operation.

1. Stay alert. Watch what you are doing and use common sense when operating the hose reel.
2. Do not use the hose reel while tired or under the influence of drugs, alcohol, or medication. Any inattention while operating the hose reel increases the risk of injury to persons.
3. Dress properly. Do not wear loose clothing or jewelry. Contain long hair. Keep hair, clothing, and gloves away from moving parts. Loose clothes, jewelry, or long hair increases the risk of injury to persons as a result of being caught in moving parts.
4. Do not overreach. Keep proper footing and balance at all times. Proper footing and balance enables better control of the hose reel in unexpected situations.
5. Disconnect the hose reel from the air source before making any adjustments, changing accessories, or storing the hose reel. Such preventive safety measures reduce the risk of starting the hose reel or tool unintentionally.
6. Store the hose reel when it is idle out of reach of children and other untrained persons. A hose reel is dangerous in the hands of untrained users.
7. Use only accessories that are identified by the manufacturer for the specific hose reel model. Use of an accessory not intended for use with the specific hose reel model, increases the risk of injury to persons.
8. Hose reel service must be performed only by qualified repair personnel.
9. When servicing a hose reel, use only authorized, identical replacement parts.
10. Never connect to an air source that is capable of exceeding 200 psi. Over pressurizing the hose reel may cause bursting, abnormal operation, breakage of the hose reel or serious injury to persons.
11. Use only clean, dry, regulated compressed air at the rated pressure or within the rated pressure range as marked on the hose reel.
12. Always verify prior to using the hose reel that the air source has been adjusted to the rated air pressure or within the rated air-pressure range.
13. Never use oxygen, carbon dioxide, combustible gases or any bottled gas as an air source for the hose reel. Such gases are capable of explosion and serious injury to persons.
14. The warnings and precautions discussed in this manual cannot cover all possible conditions and situations that may occur. It must be understood by the operator that common sense and caution are factors which cannot be built into this product, but must be supplied by the operator.
15. Obey the manual for the air hose reel and air compressor used with this hose reel.
16. Install an in-line shutoff valve to allow immediate control over the air supply in an emergency, even if a hose is ruptured.
17. **▲ WARNING:** The brass components of this product contain lead, a chemical known to the State of California to cause birth defects or other reproductive harm.

## ASSEMBLY

Attach swivel handle to the reel using the hardware supplied.

Feed the handle mounting bolts from the inner hose side of the flange out to the outer, handle side of the flange and tighten the nylon locknuts securely. This will prevent damage to the hose from the nylon locknuts.



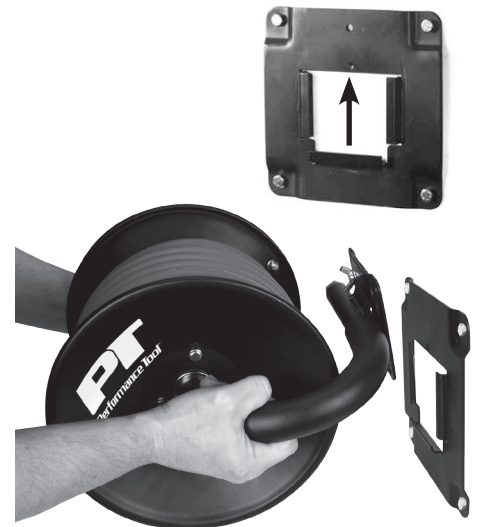
- ▲ **WARNING:** This hose reel is suitable for 3/8" x 50 ft reel. Keep in mind that the maximum pressure can not exceed 300psi during use.

## MOUNTING INSTRUCTIONS

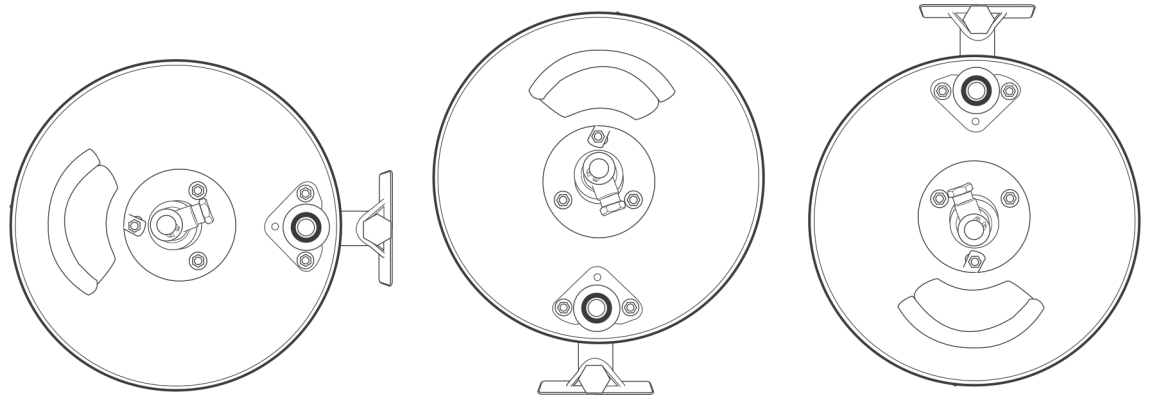
**CAUTION: Read and understand Mounting instructions before attempting installation and use of this product.**

The hose reel can be wall-mounted if desired. The reel will still be detachable for remote use.

1. To mount the reel on a wall, remove mounting plate from the bracket.
2. Place the mounting plate in the desired location with the open end of the reel slide-on slots facing upwards and mark each of the 4 holes for drilling.
3. For mounting on wood studs (recommended), use 1/4 in. x 3 in. lag bolts (not included). For mounting on drywall use heavy duty expansion bolts.
4. If you plan on hooking the hose reel up to an air compressor, consider the location and height of compressor prior to installation. The hose reel includes a 36 in. compressor hookup hose for your convenience.
5. Once the mounting plate is properly secured, slide the hose reel down onto the mounting plate, ensuring that the reel is fully engaged. Use supplied wing screw to secure onto mounting plate.



Reel may be mounted in a variety of ways - wall, bench, truck or ceiling.



## COMPRESSOR HOOK-UP

1. Inspect tool before use, looking for damaged, loose, and missing parts. If any problems are found, do not use tool until repaired.
2. Apply Teflon tape to compressor hook-up hose and thread into hose inlet on reel.
3. Connect other end to compressor outlet.
4. Follow all instructions from the air tool and compressor for set up and use.
5. Flush air through the hose in reel to check for leaks and clean out lines prior to tool hook-up.
8. When finished using the hose, disconnect the air tool and wind the hose. Wipe the hose reel clean with a dry cloth.



## **1 YEAR LIMITED WARRANTY**

PERFORMANCE TOOL® extends only the following warranties, and only to original retail purchasers. These warranties give specific legal rights. Except where prohibited by local law, the law of the State of Washington governs all warranties and all exclusions and limitations of warranties and remedies. There may be other rights which vary from state to state.

PERFORMANCE TOOL® warrants the product to be free from defects in materials and workmanship under normal use and service. A defective product may be returned for a free replacement within 90 days from the date of purchase, provided that product is returned to place of purchase immediately after discovery of defect. After 90 days and up to one year from date of purchase, PERFORMANCE TOOL® will replace at no charge any parts which our examination shall disclose to be defective and under warranty.

These warranties exclude blades, bits, punches, dies, bulbs, fuses, hoses, and other consumables which must be replaced under normal use and service. These warranties shall not apply to any product or part which is used for a purpose for which it is not designed, or which has been repaired or altered in any way so as to affect adversely its performance or reliability, nor shall these warranties apply to any product or part which has been subject to misuse, neglect, accident or wear and tear incident to normal use and service.

PERFORMANCE TOOL® does not authorize any other person to make any warranty or to assume any liability in connection with its products.

Except for warranties of title and the limited express warranties set forth above, PERFORMANCE TOOL® makes no express or implied warranties of any kind with respect to its products. In particular, PERFORMANCE TOOL® makes no implied warranty of merchantability and no implied warranty of fitness for any particular purpose, except that for goods purchased primarily for personal, family or household use and not for commercial or business use, PERFORMANCE TOOL® makes an implied warranty of merchantability (and, if otherwise applicable, an implied warranty of fitness for a particular purpose), but only for the particular qualities or characteristics, and for the duration, expressly warranted above. The laws on limitation of implied warranties may differ from state to state, so the above limitations may not apply in all cases.

PERFORMANCE TOOL® shall not be liable for consequential, incidental or special damages resulting from or in any manner related to any product, or to the design, use, or any inability to use the product. The sole and exclusive remedy for a defective product or part shall be the repair, or replacement thereof as provided above. The laws on limitation of remedies or on consequential, incidental or special damages may vary from state to state, so the above limitations may not apply in all cases.