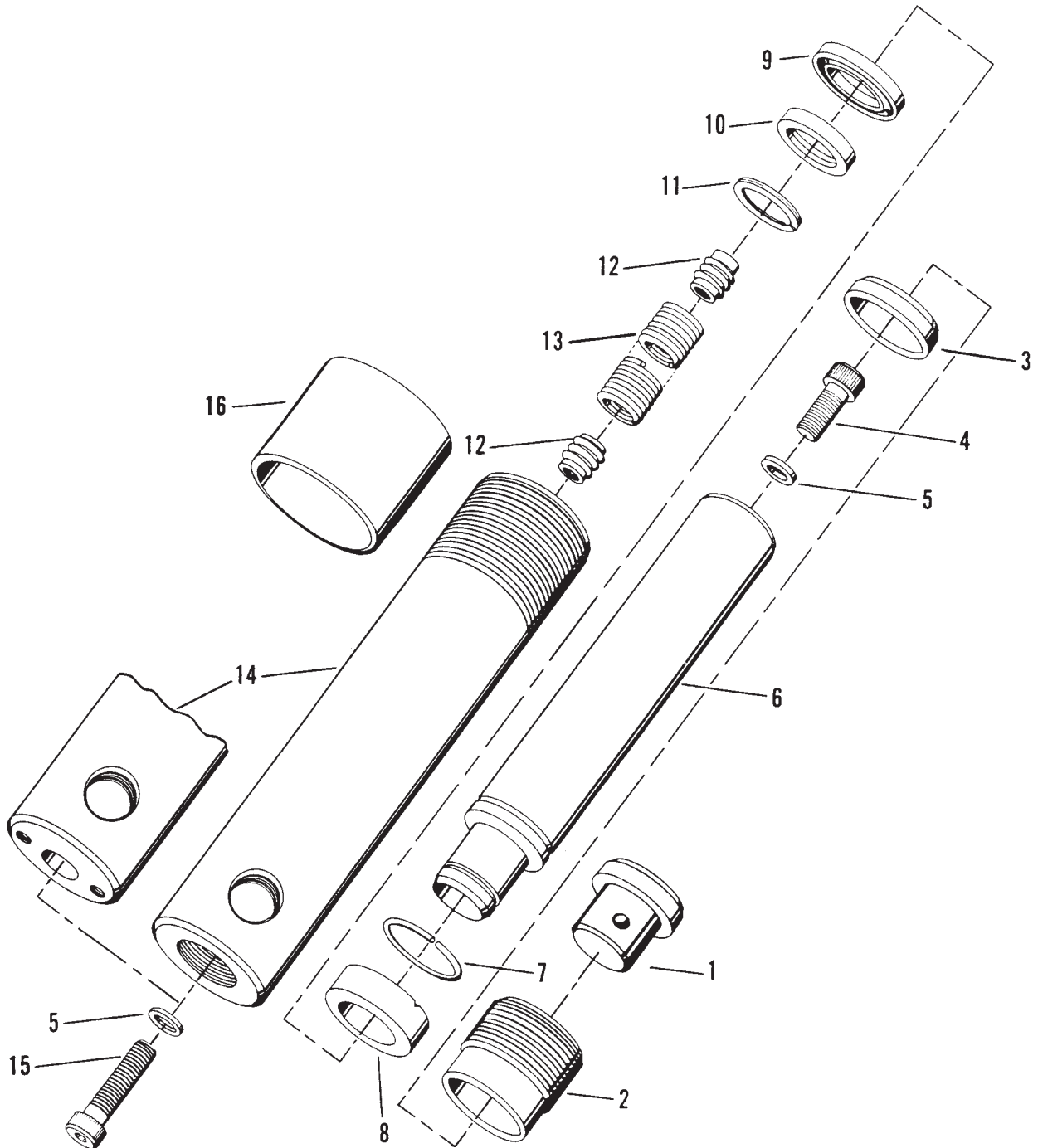


**SINGLE-ACTING, SPRING RETURN
HYDRAULIC CYLINDER**
Max. Capacity: 25.8 Tons at 10,000 PSI



NOTE: Shaded areas reflect last revision(s) made to this form.

Parts List, Form No. 100399, Back sheet 1 of 1

Item No.	Part No.	No. Req'd	Description
2	36085	1	Retainer Nut (Torque to 90/100 ft. lbs.)
3	*16085	1	Rod Wiper
	†205716	1	Rod Wiper
4	10053	1	Soc. Hd. Cap Screw (3/8-16 X 1-1/4 lg.; Torque to 400/425 in. lbs.)
5	*†12042	2	Copper Washer
6	42181	1	Piston Rod (For 51426 & 58428)
	42183	1	Piston Rod (For 52025 & 58429)
7	201447	1	Retaining Ring
8	201352	1	Piston Head (Assemble with groove toward shoulder)
9	*15915	1	U-cup Piston Seal
	†205705	1	U-cup Piston Seal
10	201353	1	Slip Retainer
	†206556	1	U-cup Backup Washer
11	*16084	1	Retaining Ring
12	201417	2	Spring Retainer (See diagram below)
13	201448	1	Extension Spring (For 51426 & 58428)
	201450	1	Extension Spring (For, 52025 & 58429)
14	58010	1	Cylinder Body (For 51426)
	51076	1	Cylinder Body (For 58428)
	51078	1	Cylinder Body (For 52025 & 58429)
15	11531	1	Soc. Hd. Cap Screw (3/8-16 X 2" lg.; Torque to 400/425 in. lbs.)
16	36147	1	Thread Protector (For 58428 & 58429)
17	201412	1	Thread Adapter Assembly (For 51426 & 52025)

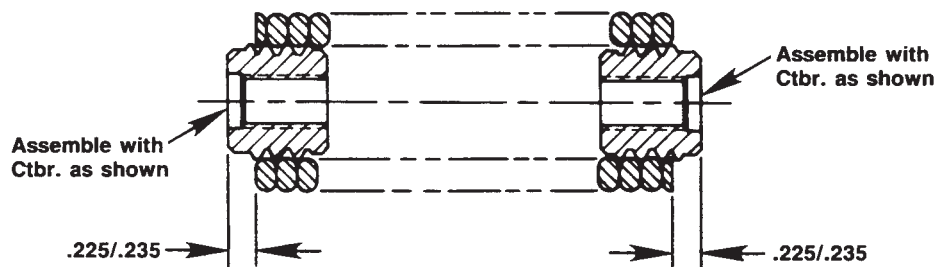
PARTS INCLUDED BUT NOT SHOWN

25600	1	Ram Half Coupler (For 58428 & 58429)
11127	1	Pressure Plug (For 51426 & 52025)
420732	1	Full Coverage Decal (For 58428)
420733	1	Full Coverage Decal (For 58429)
*37782	1	Warning Decal (For 52025)
†19526	1	O-ring (1" X 3/4 X 1/8, -210; for coupler)
†205724	1	Decal (Viton seals)

Part numbers marked with an asterisk (*) are contained in Standard Repair Kit No. 300147.

Part numbers marked with a dagger (†) are contained in Viton Seal Kit No. 300213.

SPRING & RETAINER ASSEMBLY



Refer to any operating instructions included with this product for detailed information about operation, testing, disassembly, reassembly, and preventive maintenance.

Items found in this parts list have been carefully tested and selected. **Therefore: Use only genuine replacement parts!**

Additional questions can be directed to our Technical Services Department.