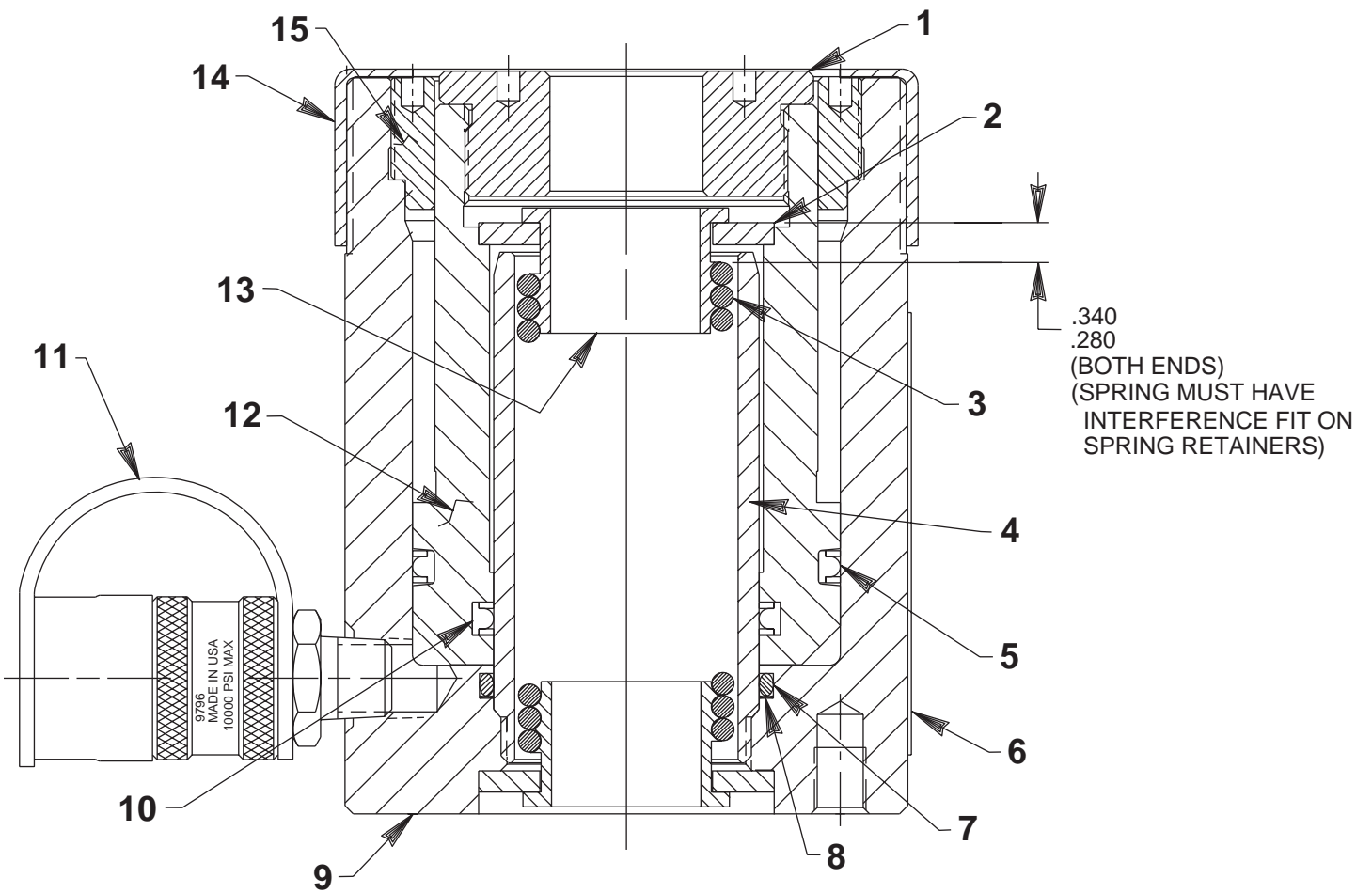


MODEL C
SINGLE-ACTING, SPRING RETURN
HYDRAULIC CYLINDER
Maximum Capacity: 31.7 Ton At 10,000 PSI



Item No.	Part No.	No. Req'd	Description
1	38905	1	Plain Insert
2	205106	4	Spring Lock
3	205109	1	Extension Spring
4	360019	1	Standpipe (Bottom out and back out [.01] 1/8 revolution. Apply primer and Loctite 242.)
5	*19826	1	T-seal & Backup Rings (Smooth side of Backup Ring must be against seal.)
	†19827	1	T-seal & Backup Rings (Smooth side of Backup Ring must be against seal.)
6	360021	1	Trade Name Decal (For 4139)
	13648	1	Trade Name Decal (For 1U-7552)
7	*10295	1	O-ring (2.50 x 2.25 Nitrile)
	†19040	1	O-ring (2.50 x 2.25 Viton)
8	†*19148	1	Backup Washer (2.50 x 2.25)
9	66425	1	Cylinder Body
10	*19824	1	T-seal & Backup Rings (Smooth side of Backup Ring must be against seal.)
	†19825	1	T-seal & Backup Rings (Smooth side of Backup Ring must be against seal.)
11	9796	1	Ram Half Coupler w/ Dust Cap (For 4139)
	1P-2375	1	Ram Half Coupler (For 1U-7552)
12	51441	1	Piston Rod
13	38903	2	Spring Retainer
14	421273	1	Thread Protector
15	38906	1	Gland Nut

PARTS INCLUDED BUT NOT SHOWN

†19526	1	O-ring (1" x 3/4 x 1/8; For coupler)
†205724	1	Decal (Viton)
*203908	1	Warning Decal

Part numbers marked with an asterisk (*) are contained in Repair Kit No. 300037.
Part numbers marked with a dagger (†) are contained in Viton Seal Kit No. 300223.