



Parts List for:

1854
1854-220V

Shop Press

Max. Capacity: 100 Tons

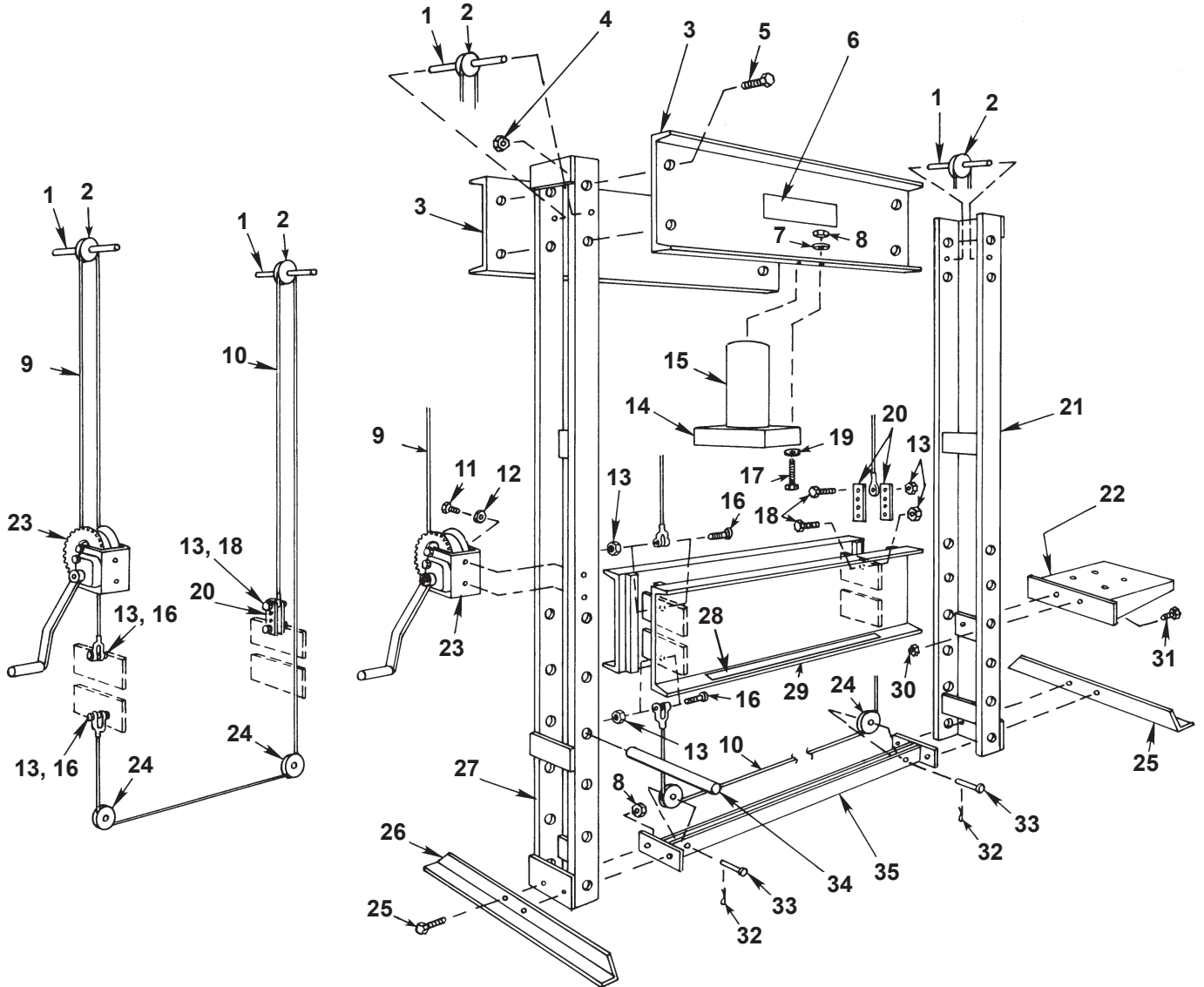


Figure 1

Item No.	Part No.	No. Req'd	Description
1	201935	2	Pulley Axle
2	16384	2	Pulley
3	42345	2	Upper Bolster
4	10408	8	Hex Jam Nut (1-1/2 x 12)
5	201934	8	Bolster Bolt
6	11592	1	Trade Name & Capacity Decal
7	10610	4	Beveled Washer
8	10208	8	Hex Nut (1/2-13)
9	38455	1	Winch Cable
10	201939	1	Press Cable
11	10048	2	Hex Hd. Cap Screw (3/8-16 x 7/8 Lg.)
12	10231	2	Washer
13	12809	4	Self-Locking Hex Nut (1/4-20)
14	52451	1	Cylinder Mounting Plate
15	52434	1	100 Ton Hydraulic Cylinder
16	10019	2	Hex Hd. Cap Screw (1/4-20 x 1-1/4 Lg.)
17	10092	4	Hex Hd. Cap Screw (1/2-13 x 3-1/2 Lg.)
18	10017	2	Hex Hd. Cap Screw (1/4-20 x 1" Lg.)
19	10586	4	SAE Washer
20	201929	2	Cable Adjustment Strap
21	42339	1	R.H. Upright
22	50931	1	Pump Mounting Bracket
23	18895-1	1	Winch
24	29695	2	Pulley
25	10080	4	Hex Hd. Cap Screw (1/2-13 x 1-1/2 Lg.)
26	304485	2	Foot
27	42338	1	L.H. Upright
28	46909	1	Warning Decal
29	61048	1	Lower Bolster Assembly
30	10204	2	Hex Nut (3/8-16)
31	10052	2	Hex Hd. Cap Screw (3/8-16 x 1-1/4 Lg.)
32	10524	2	Cotter Pin
33	16385	2	Clevis Pin
34	303489	2	Bolster Pin
35	42337	1	Lower Pulley Bracket

Refer to any operating instructions included with the product for detailed information about operation, testing, disassembly, reassembly, and preventive maintenance.

Items found in this parts list have been carefully tested and selected. **Therefore: Use only genuine replacement parts!**

Additional questions can be directed to our Technical Services Department.

4044 OR 4044-50-220 ELECTRIC PUMP

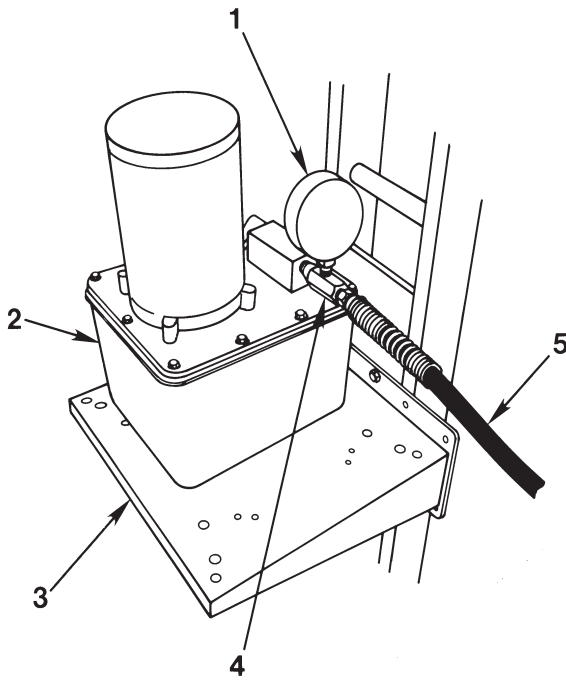


Figure 2

Item No.	Part No.	No. Req'd	Description
1	10492	1	Gauge
2	4044	1	Electric Pump (Used on 1854)
	4044-50-220	1	Electric Pump (Used on 1854-220V)
3	50931	1	Pump Mounting Bracket
4	24815	1	Tee Adapter
5	36887	1	Hydraulic Hose
*6	10048	4	Hex Hd. Cap Screw (3/8-16 x 7/8 Lg.)

* Not shown - used to mount pump to mounting bracket.