

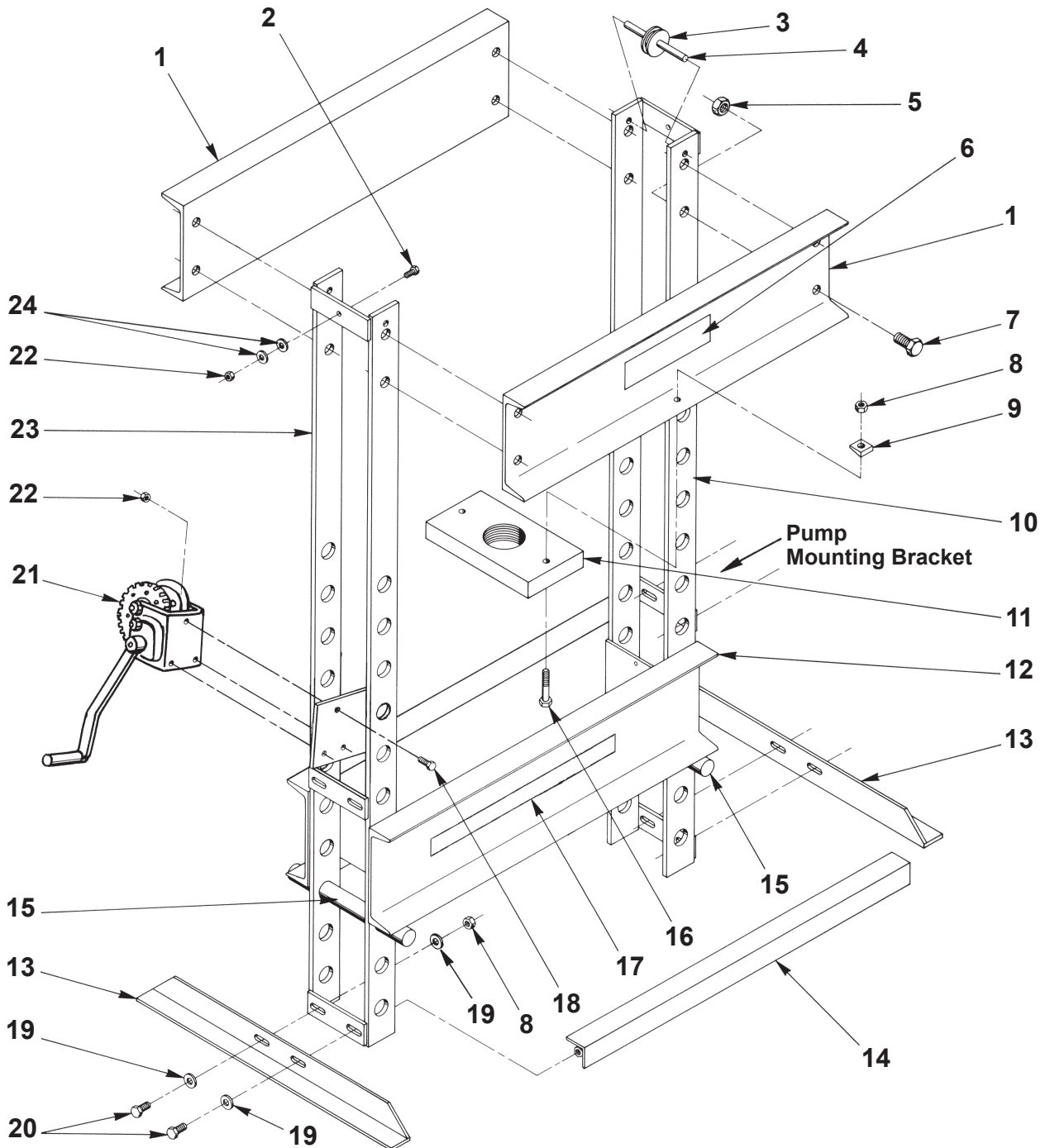


Parts List
for:

1833
1834
014-00085

Shop Press

Maximum Capacity: 25 Tons (22679 kg)

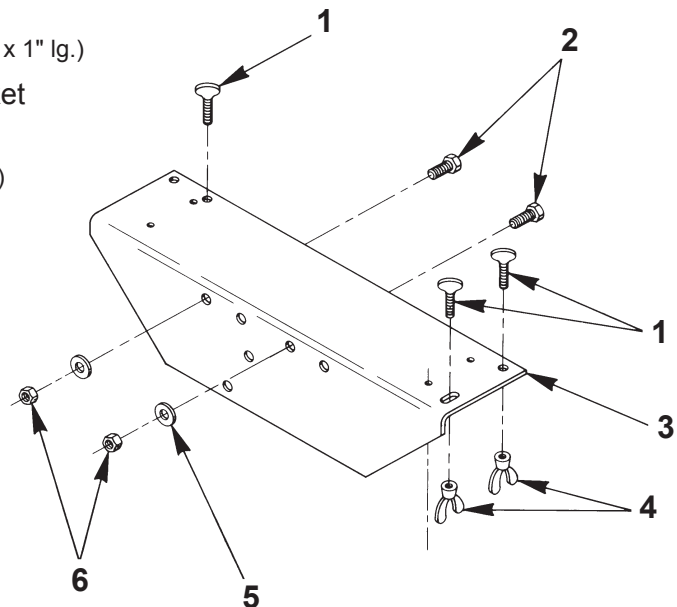


Item No.	Part No.	No. Reqd.	Description	Item No.	Part No.	No. Reqd.	Description
-	60178	1	Press Frame only (for 1833, 1834)	13	304485	2	Foot Angle
-	203400	1	Press Frame only (for 014-00085)	14	35573	1	Spacer Angle
1	34809	2	Upper Bolster	15	34555	2	Bolster Pin
2	10046	1	Cap Screw (3/8-16 UNC x 3/4" lg.)	16	10090	2	Cap Screw (1/2-13 UNC x 2-3/4" lg.)
3	29695	3	Pulley	17	46896	1	Warning Decal
4	29696	2	Pulley Axle	18	10049	3	Cap Screw (3/8-16 UNC x 1" lg.)
5	10216	8	Nut (3/4-10 UNC)	19	12004	6	Washer (1/2" bolt)
6	14601	1	Trade Name Decal (for 1833 & 1834)	20	10080	4	Cap Screw (1/2-13 UNC x 1-1/4" lg.)
7	10118	8	Cap Screw (3/4-10 UNC x 1-1/2" lg.)	21	18895-1	1	Winch
8	10208	4	Nut (1/2-13 UNC)	22	10204	4	Nut (3/8-16 UNC)
9	10610	2	Beveled Washer (1/2" bolt)	23	52150	1	L.H. Upright
10	52149	1	R.H. Upright	24	10231	2	Washer (for 3/8" bolt)
11	41629	1	Cylinder Mounting Plate				Not Shown
12	50760	1	Lower Bolster		51426A	1	Cylinder Assembly

Pump Mounting Bracket

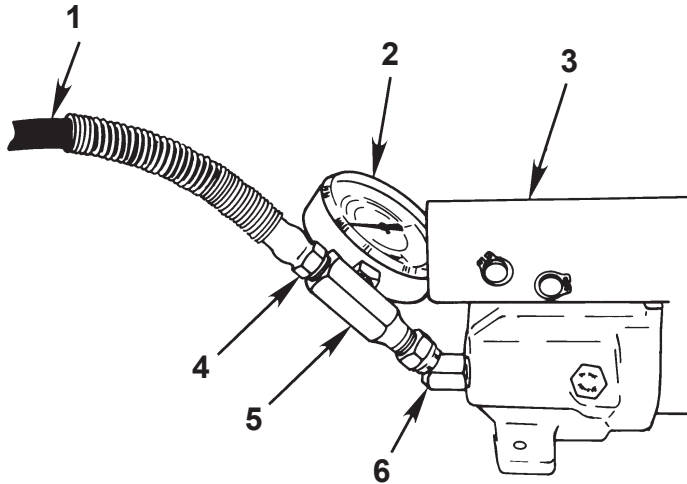
(used on 1833, 014-00085)

Item No.	Part No.	No. Reqd.	Description
1	12680	3	Thumb Screw
2	10049	2	Cap Screw (3/8-16 UNC x 1" lg.)
3	42733	1	Pump Mounting Bracket
4	10590	3	Wing Nut (for 1833)
	12029	3	Wing Nut (for 014-00085)
5	10231	2	Washer (3/8" bolt)
6	12013	2	Locknut



Hand Pump

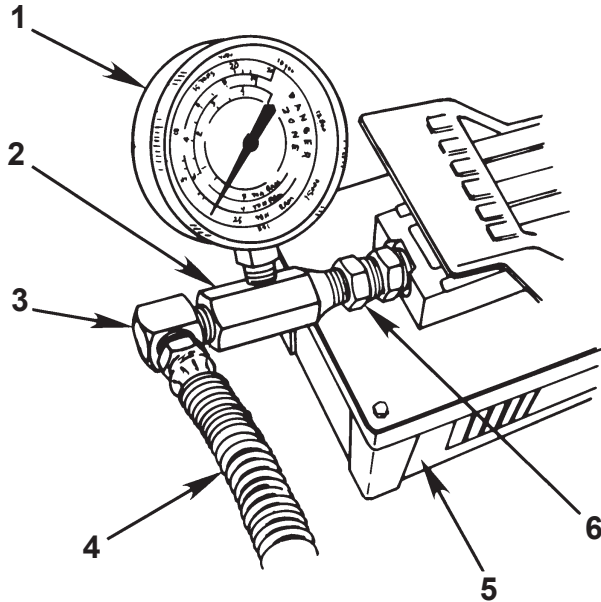
(used on 1833, 014-00085)



Item No.	Part No.	No. Reqd.	Description
1	36886	1	Hydraulic Hose
2	16715	1	Gauge (for 1833)
	16457	1	Gauge (for 014-00085)
3	4012A	1	Hand Pump (for 1833)
	61522	1	Hand Pump (for 014-00085)
4	10469	1	Straight Fitting
5	24815	1	Tee Adapter
6	10648	1	45° Fitting

Air Pump

(used on 1834)



Item No.	Part No.	No. Reqd.	Description
1	16715	1	Gauge
2	24815	1	Tee Adapter
3	10474	1	90° Elbow
4	36887	1	Hydraulic Hose
5	4020	1	Air Pump
6	10469	2	Straight Fitting

This document contains product parts lists and information regarding operation and maintenance. Items listed in the parts list have been carefully tested and selected by OTC. Therefore, use only OTC replacement parts.

Cable Assembly

Item No.	Part No.	No. Reqd.	Description
1	12809	2	Locknut (1/4-20 UNC)
2	10019	2	Cap Screw (1/4-20 UNC x 1-1/4" Lg.)
3	204730	1	Winch Cable
4	35730	1	Pulley Bracket
5	16385	1	Clevis Pin
6	10524	1	Cotter Pin
7	200988	1	Press Cable

