

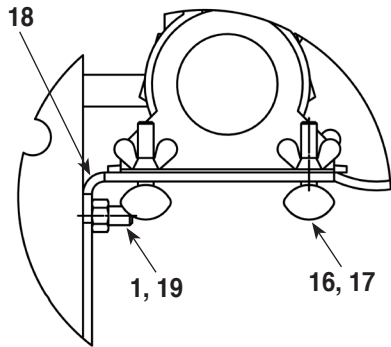


Parts List
for:

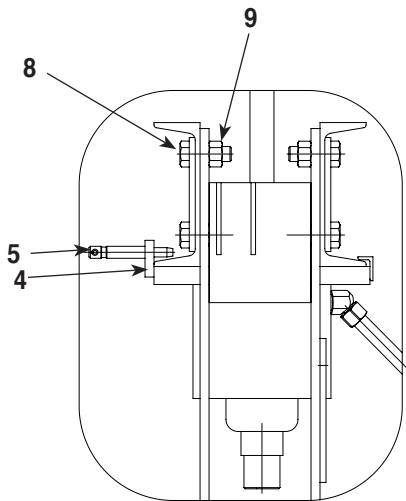
014-00021
1825

Open Throat
Hydraulic Shop Press

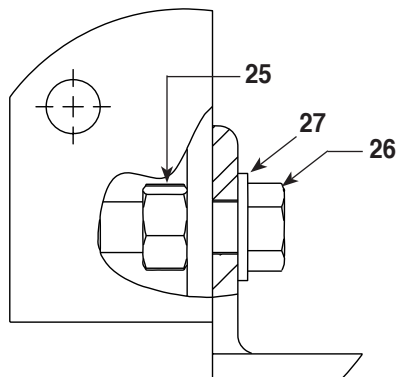
Max. Capacity: 17.5 Tons



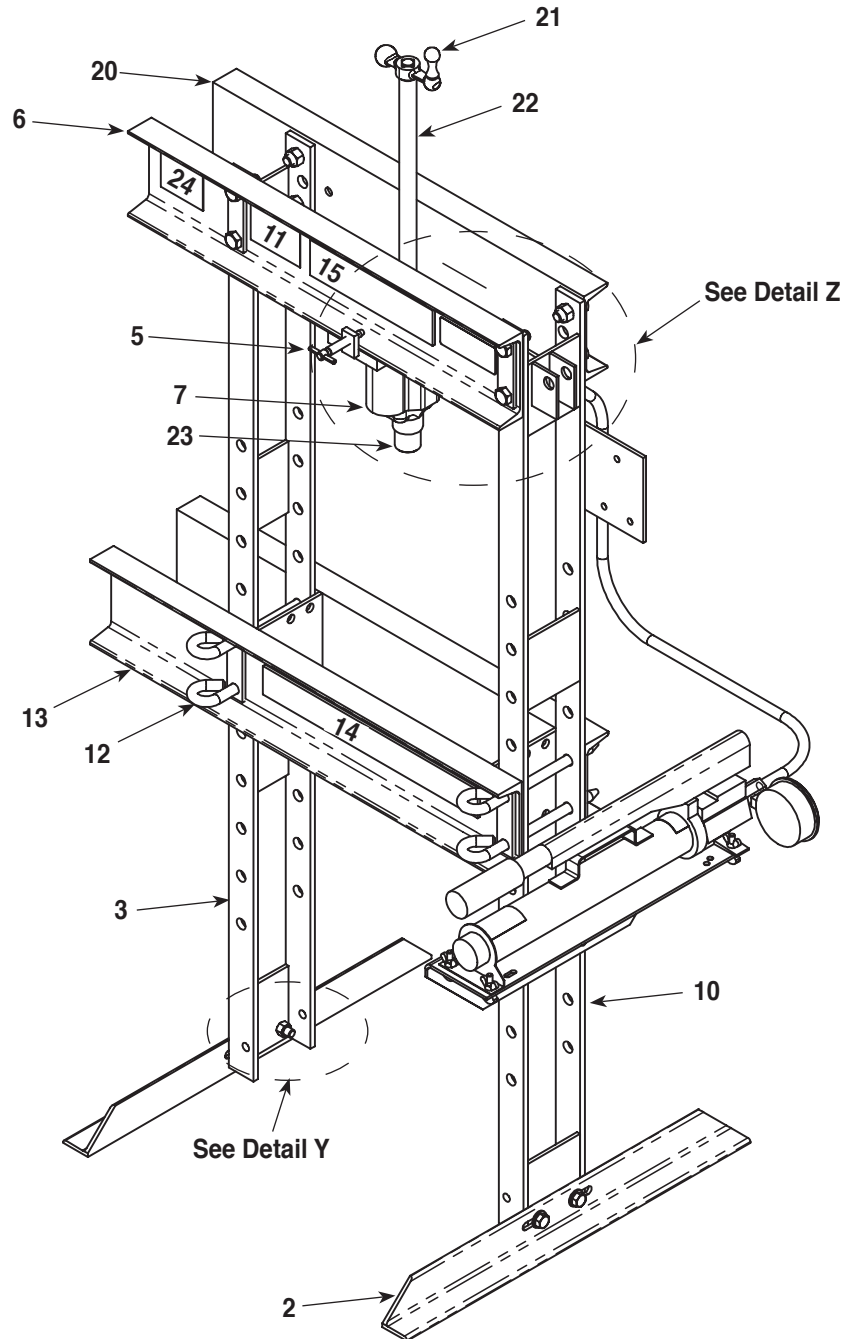
Mounting Bracket for Hand Pumps



Detail Z



Detail Y



Press Frame Only	Used On
211405	1825
203771	014-00021

Item No.	Part No.	No. Req'd	Description
1	10204	2	Hex Nut (3/8-16)
2	304485	2	Foot Angle
3	42652	1	L.H. Upright
4	32536	1	Ram Mounting Plate
5	25825	1	Adjusting Screw
6	32548	1	Upper Front Bolster
7	201832	1	Hydraulic Ram
8	12034	8	Hex Hd. Cap Screw (5/8-11 x 1-3/4" Lg.)
9	10214	8	Hex Nut (5/8-11)
10	42651	1	R.H. Upright
11	206043	1	Instruction Decal
12	25832	4	Pin
13	51513	1	Lower Bolster
14	46896	1	Warning Decal
15	12968	1	Trade Name Decal (for 1825)
	13612	2	Trade name Decal (for 014-00021)
16	10590	3	Wing Nut
17	12680	3	Thumb Screw
18	42733	1	Pump Mounting Bracket

Item No.	Part No.	No. Req'd	Description
19	10189	2	Flat Hd. Cap Screw (3/8-16 x 1" Lg.)
20	33339	1	Upper Rear Bolster
21	24814	1	Speed Crank (5/8-11 x 1-3/4" Lg.)
22	32118	1	Adjusting Screw
23	28228	1	Pushing Adapter
24	14401	1	Open Throat Decal (for 1825)
25	10208	4	Nut (for 1/2" screw)
26	11624	4	Screw (1/2-13 UNC x 1-1/2)
27	12004	4	Flat Washer

Parts Included but Not Shown

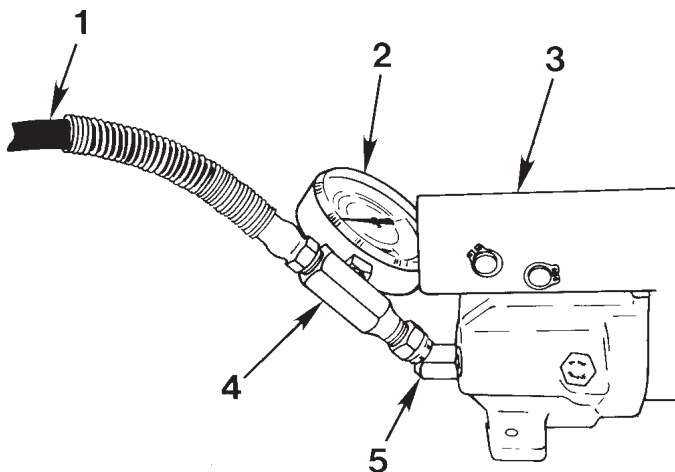
205328	1	Press No. Decal (for 014-00021)
201829	1	Information Decal (for 014-00021)

Note: Model No. 1825 does not have a raising mechanism. If a raising mechanism is needed, order No. 211407 Winch Kit.

Refer to any operating instructions included with the product for detailed information about operation, testing, disassembly, reassembly, and preventive maintenance.

Items found in this parts list have been carefully tested and selected by OTC. **Therefore: Use only OTC replacement parts.**

Additional questions can be directed to the OTC Technical Services Department.



No. 4002 or No. 61522 Hand Pump

Item No.	Part No.	No. Req'd	Description
1	36886	1	Hydraulic Hose
2	10491	1	Gauge (for 1825)
	16457	1	Gauge (for 014-0021)
3	4002	1	Hand Pump (for 1825)
	61522	1	Hand Pump (for 014-00021)
4	24815	1	Tee Adapter
5	10648	1	45° Fitting