

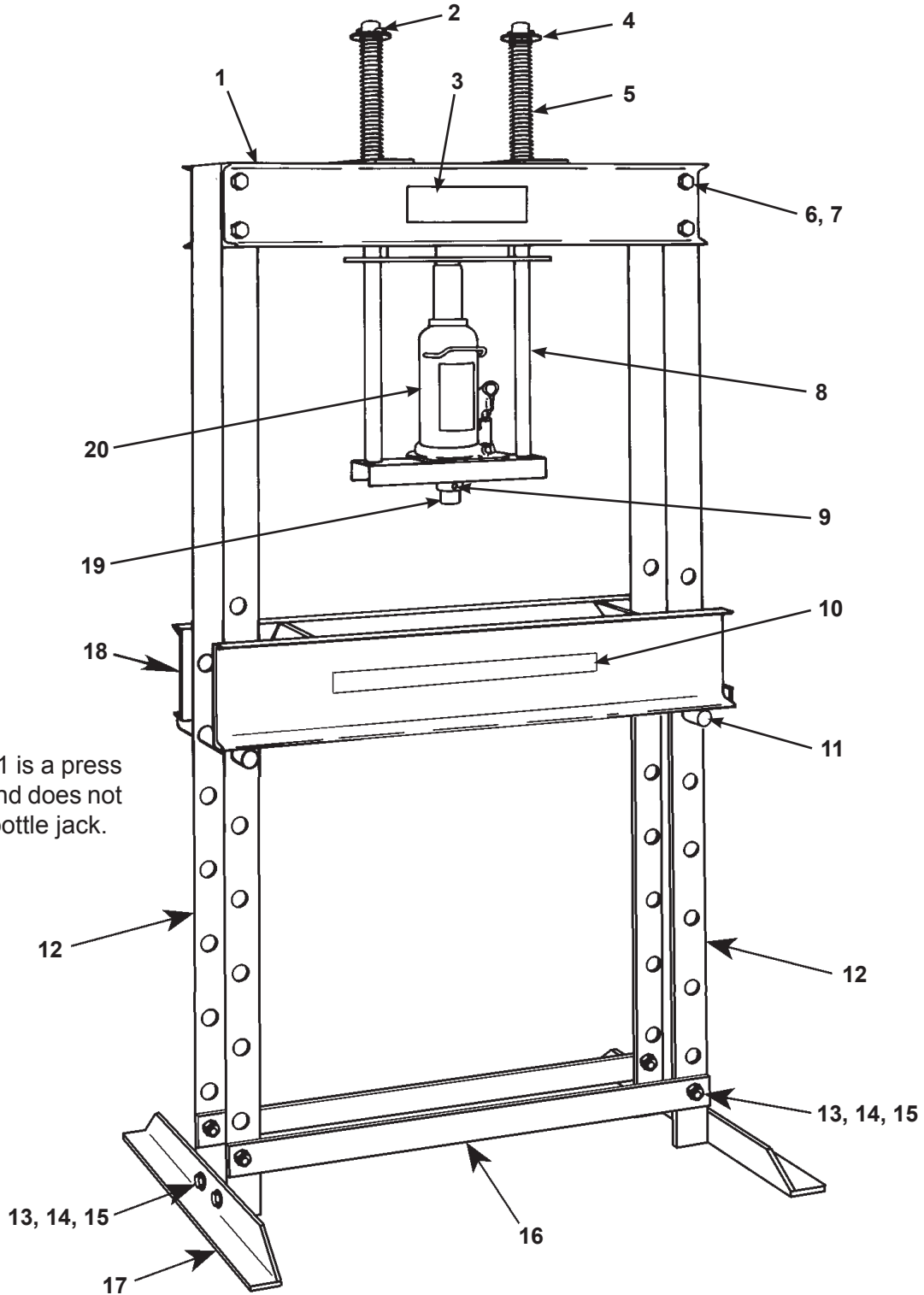


Parts List  
for:

1824  
1824A  
309111

### Bottle Jack Press

Max. Capacity: 20 Tons



**Note:** 309111 is a press frame only and does not include the bottle jack.

Item No.	Part No.	No. Req'd	Description
1	61995	1	Upper Bolster
2	14152	2	Roll Pin (5/16-in. dia. x 3-in. Lg.)
3	309090	1	Trade Name & Capacity Decal
4	215422	2	Washer
5	215421	2	Spring
6	10096	8	Cap Screw (5/8-11 x 1 1/4-in. Lg.)
7	10214	8	Nut (5/8-11)
8	61990	1	Pressing Bracket
9	10136	1	Set Screw (1/4-20 x 1/4-in. Lg.)
10	46895	1	Warning Decal
11	34555	2	Bolster Pin
12	61996	2	Upright
13	12004	4	Washer (for 1/2-in. bolt)
14	10080	8	Cap Screw (1/2-13 x 1 1/4-in. Lg.)
15	10208	8	Nut (1/2-13)
16	309116	2	Strap
17	304485	2	Foot
18	61992	1	Lower Bolster
19	215423	1	Pressing Pin
20	5221	1	Bottle Jack (for 1824A and 1824)

Refer to any operating instructions included with the product for detailed information about operation, testing, disassembly, reassembly, and preventive maintenance.

Items found in this parts list have been carefully tested and selected by OTC. **Therefore: Use only OTC replacement parts!**

Additional questions can be directed to the OTC Technical Services Department.