

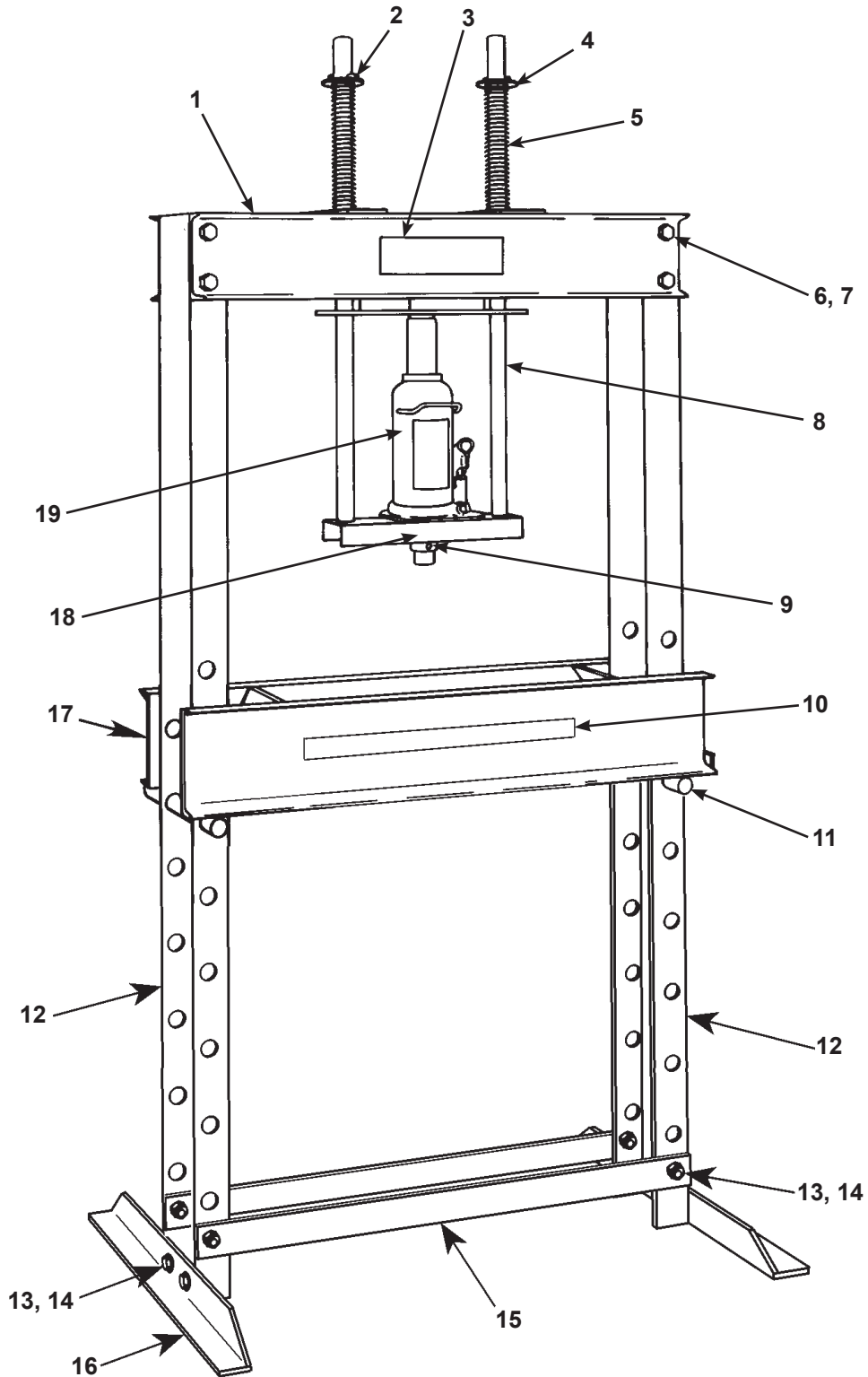


Parts List for:

1823
1823A
309110

Bottle Jack Press

Maximum Capacity: 12 Tons



| Item No. | Part No. | No. Req'd | Description |
|----------|---------------|-----------|--|
| - | 309110 | 1 | 12-Ton Press Frame (Frame assembly only. Includes items 1 through 18. Does not include item 19.) |
| 1 | 61994 | 1 | Upper Bolster |
| 2 | 14152 | 2 | Roll Pin (5/16 dia. x 3" Lg.) |
| 3 | 309091 | 1 | Trade Name & Capacity Decal |
| 4 | 215422 | 2 | Washer |
| 5 | 215421 | 2 | Spring |
| 6 | 10096 | 8 | Cap Screw (5/8-11 x 1-1/4" Lg.) |
| 7 | 10214 | 8 | Nut (5/8-11) |
| 8 | 61990 | 1 | Pressing Bracket |
| 9 | 10136 | 1 | Set Screw (1/4-20 x 1/4" Lg.) |
| 10 | 46895 | 1 | Warning Decal |
| 11 | 309083 | 2 | Bolster Pin |
| 12 | 61997 | 2 | Upright |
| 13 | 10080 | 8 | Cap Screw (1/2-13 x 1-1/4" Lg.) |
| 14 | 10208 | 8 | Nut (1/2-13) |
| 15 | 309115 | 2 | Strap |
| 16 | 309084 | 2 | Foot |
| 17 | 61991 | 1 | Lower Bolster |
| 18 | 215423 | 1 | Pressing Pin |
| 19 | 5213 | 1 | Bottle Jack (used on 1823 and 1823A) |

Refer to any operating instructions included with the product for detailed information about operation, testing, disassembly, reassembly, and preventive maintenance.

Items found in this parts list have been carefully tested and selected by OTC. **Therefore: Use only OTC replacement parts!**

Additional questions can be directed to the OTC Technical Services Department.