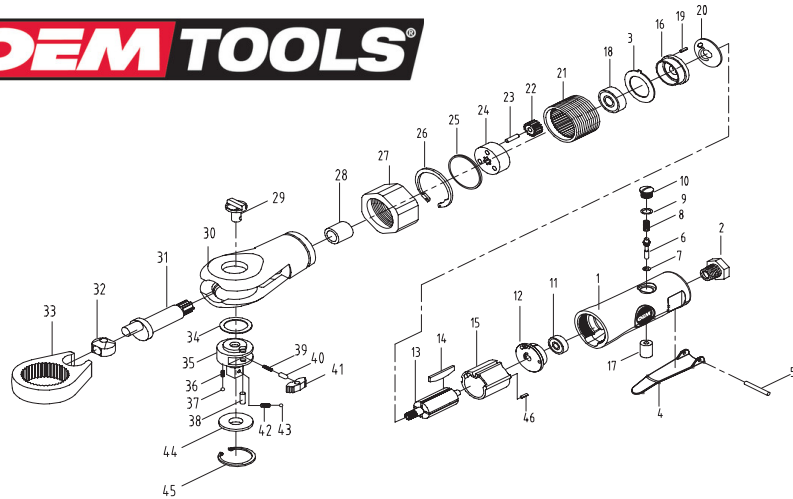


REPLACEMENT PARTS



NO.	PART NO.	DESCRIPTION	Q'TY	NO.	PART NO.	DESCRIPTION	Q'TY
1	25763-1	Housing	1	30	25763-30	Ratchet Housing	1
2	25763-2	Air Inlet	1	31	25763-31	Crank Shaft	1
3	25763-3	Washer	1	32	25763-32	Diver Bushing	1
4	25763-4	Throttle Lever	1	33	25763-33	Ratchet Yoke	1
5	25763-5	Trigger Pin	1	34	25763-34	Washer	1
6	25763-6	Valve Stem	1	35	25763-35	1/4"Ratchet Anvil	1
7	25763-7	O-Ring	1	36	25763-36	Spring	2
8	25763-8	Spring	1	37	25763-37	Steel Ball	2
9	25763-9	O-Ring	1	38	25763-38	Pin	1
10	25763-10	Valve Plug	1	39	25763-39	Spring	1
11	25763-11	Bearing	1	40	25763-40	Sleeve	1
12	25763-12	End Plate	1	41	25763-41	Ratchet Pawl	1
13	25763-13	Rotor	1	42	25763-42	Spring	1
14	25763-14	Rotor Blade	4	43	25763-43	Steel Ball	1
15	25763-15	Cylinder	1	44	25763-44	Washer	1
16	25763-16	Front Plate	1	45	25763-45	Retainer Ring	1
17	25763-17	Valve Bushing	1	46	25763-46	Pin	1
18	25763-18	Bearing	1				
19	25763-19	Pin	1				
20	25763-20	Washer	1				
21	25763-21	Thread Ring Gear	1				
22	25763-22	Gear	3				
23	25763-23	Pin	3				
24	25763-24	Gear Plate	1				
25	25763-25	Washer	1				
26	25763-26	Retainer Ring	1				
27	25763-27	Locking Nut	1				
28	25763-28	Bushing	1				
29	25763-29	Reverse Switch	1				

1/4" Dr. Air Ratchet

OWNER'S MANUAL

SPECIFICATIONS:

Bolt capacity.....1/4" U.S.S
 Recommended air pressure(tool in use at full throttle)90 P.S.I
 Maximum torque.....25ft./lbs
 Average air consumption.....5 SCFM
 Free speed265 R.P.M
 Air inlet.....1/4" N.P.T
 Recommended hose size(ID).....3/8" I.D

Specifications are subject to change without notice.



WARNING!
 READ, UNDERSTAND AND FOLLOW ALL INSTRUCTIONS AND WARNINGS BEFORE OPERATING THIS TOOL. FAILURE TO DO SO MAY RESULT IN PERSONAL INJURY AND/OR PROPERTY DAMAGE AND WILL VOID WARRANTY.

IMPORTANT SAFETY INFORMATION

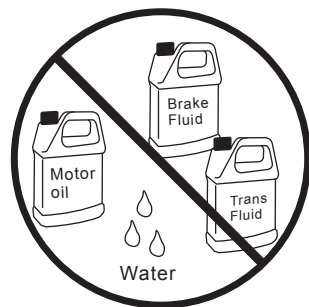
- 1.This impact wrench is rated to 1/4 " USS bolt size Rating will decrease for U-Bolts,Long Cap Screws, Spring Fasteners and rusted/corroded Fasteners All of these factor absorb power and reduce torque capability.
- 2.Use only impact sockets designed for impact wrenches.
- 3.Most impact wrenches have high torque capability. Keep a firm grip on the tool at all times. Use both hands whenever possible. Be physically prepared for the task you will perform.
- 4.Always use approved eye and ear protection when using air powered tools. If raising dust/debris,wear a suitable mask. do not wear loose clothing or jewelry.
- 5.Always operate tool a safe distance from yourself and other in the work area. Keep footing and balance at all times.
- 6.Make sure work piece is secure to allow safe operation of the tool with both hands. Do not hold the work piece in your hand, lap or against any part of your body.
- 7.Make sure trigger is in the " off " position before connecting or disconnecting the tool from air source. Disconnect tool from air source before changing accessories, performing service and when not in use.
- 8.Follow air source manufacture' s directions for connection of regulators, filters and other accessories to air source. Do not install quick couplers directly at tool air inlet. This causes inlet failure due to excess weight and vibration. Use a whip hose between tool and quick couplers
- 9.DO NOT OVERLOAD! Do not force tool. Match tool capacity to work load requirement. Use tool within its rated capacity and only for its designated purpose. Overloading air tools will cause premature wear and/or permanent damage of internal and external driver parts and will void warranty.
- 10.Inspect hoses and fitting for wear and damage prior to using tool, do not carry or drag tool by the air hose. Keep air hose free from obstruction, twisting and binding.

LUBRICATION & MAINTENANCE

Oil tool before each use.4 to 5 drops of a good grade Air Tool Oil placed in the air inlet is sufficient. Use proper air pressure and CFM rating listed for this tool. Drain water from hoses and compressor tank. Water in the air supply line will cause gummy and loss of power. Clean the air filter on the supply line and flush the tool with gum solvent or a 50/50 min of Air Tool Oil and kerosene. It may be necessary to disassemble the tool to properly clean and re-lubricate.



Yes



No

AIR SOURCE

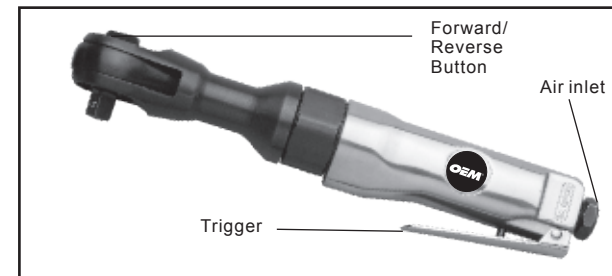
Clean air of correct air pressure is recommended for the power supply for this tool. A maximum of 90 PSI at the tool is recommended for most air tools of this class. Check specifications section for recommended pressure. (Depending on length of air hose and other circumstances, air pressure at compressor may need to be increased to 100 PSI to ensure 90 PSI at the tool.)

Water in the air hose and compressor tank contributes to reduced performance and damage of the air tool. Drain the air tank and filters before each use and as necessary to keep the air supply dry.

Hose length over 25 ' causes loss in line pressure. Increase hose I.D. or increase compressor pressure to compensate for the pressure loss. Use an in-line pressure regulator with gauge if air inlet pressure is critical.

OPERATION

- 1.This ratchet is designed to speed productivity, not for high torque applications such as head bolts, lug nuts, etc. DO NOT USE THIS RATCHET UNDER POWER TO BREAK FASTENERS LOOSE. Loosen fasteners by hand without depressing throttle. Once loose, depress throttle to speed fasteners in or out, Always perform final torque tightening by hand.
- 2.This ratchet is rated to 1/4 " USS bolt size. Rating will decrease for U-Bolts,Long Cap Screws, Spring Fasteners and rusted or corroded fasteners. All of these factors absorb power and reduce torque capability.
- 3.Use the simplest socket to wrench hook-up. Any additional extensions, u-joints or adaptors will absorb power and reduce torque capability.
- 4.Forward/Reverse Lever .Select " F " for Forward(Clockwise) or " R " for Reverse (Counter clockwise) operation. Do not attempt to change direction while tool is running.
- 5.If fastener bogs, slows or binds the tool(or, if fastener fails to move in 5 seconds), use a large size impact wrench with a higher torque rating. Overloading this tool will cause premature wear and/or permanent damage to internal and external drive parts and will void warranty.



TROUBLESHOOTING

INSUFFICIENT POWER:

Probable Cause

Dirty or clogged air passages
insufficient air supply

Air leakage

Worn/damaged wear & tear
parts tool matching

Solution

Flush and lubricate tool, drain air tank and supply line. increase line pressure, Make sure compressor matches tool' s air pressure and consumption needs.

Use Teflon tape at all fittings and joints. Check tool for leaks and repair as necessary

Be sure you are using a tool suited for the torque requirements of the job at hand.