

Please read and save these instructions. Read through this owner's manual carefully before using product. Protect yourself and others by observing all safety information, warnings, and cautions. Failure to comply with instructions could result in personal injury and/or damage to product or property. Please retain instructions for future reference.



ADJUSTABLE HYDRAULIC SHOP STOOL

UNPACKING

After unpacking the unit, inspect carefully for any damage that may have occurred during transit. Check for loose, missing, or damaged parts. If any damage is observed, a shipping damage claim must be filed with the carrier. DO NOT use the OEMTOOLS™ Adjustable Hydraulic Shop Stool if broken, bent, cracked or damaged parts (including labels) are noted. Any Shop Stool that appears damaged in any way, operates abnormally or is missing parts should be removed from service immediately. If you suspect that the Shop Stool was subjected to shock load (a load that was dropped suddenly, unexpectedly, etc.), immediately discontinue use until it has been checked by a factory authorized service center.



24911
1 Adjustable Hydraulic Shop Stool

24911TWO
2-Pack Adjustable Hydraulic Shop Stools

Thank you very much for choosing an OEMTOOLS™ Product!

For future reference, please register your new tool at www.oem-tools.com and complete the owner's record below:

Model: _____ **Purchase Date:** _____

Save the receipt, warranty and these instructions. It is important that you read the entire manual to become familiar with this product before you begin using it. This product is designed for certain applications only. OEMTOOLS™ cannot be responsible for issues arising from modification. We strongly recommend that this product is not modified and/or used for any application other than that for which it was designed. If you have any questions relative to a particular application, DO NOT use the product until you have first contacted customer service to determine if it can or should be performed on the product.

PRODUCT DESCRIPTION

The OEMTOOLS™ Adjustable Hydraulic Shop Stool is ideal for shop or garage use. It is designed with a durable, vinyl-padded swivel seat and backrest for comfortable support.

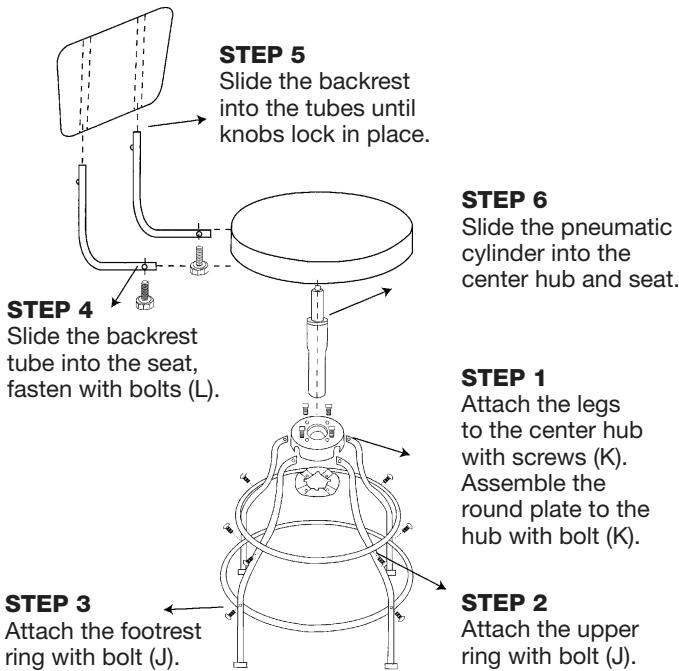
PRODUCT SPECIFICATIONS

Adjustable Height: 29" to 33"



ADJUSTABLE HYDRAULIC SHOP STOOL

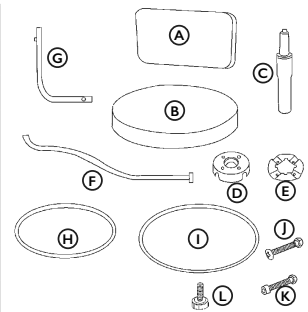
ASSEMBLY



PARTS LIST

Figure	Description	Qty.
A	Backrest	1
B	Seat	1
C	Pneumatic Cylinder	1
D	Center Hub	1
E	Round Plate	1
F	Leg	4
G	Tube	2
H	Upper Ring	1
I	Footrest Ring	1
J	Bolt and Nut (Hex)	8
K	Bolt and Nut	4
L	Small Bolt	2

PARTS DIAGRAM



NOTE: Not all components of the Stool are replacement items, but are illustrated as a convenient reference for location and position in the assembly sequence. The manufacturer and/or distributor have provided the parts list and assembly diagram in this manual as a reference tool only. Neither the manufacturer nor distributor makes any representation or warranty of any kind to the buyer that he or she is qualified to make any repairs to the product, or that he or she is qualified to replace any parts of the product. In fact, the manufacturer and/or distributor expressly states that all repairs and parts replacements should be undertaken by certified and licensed technicians, and not by the buyer. The buyer assumes all risk and liability arising out of his or her repairs to the original product or replacement parts thereto, or arising out of his or her installation of replacement parts thereto.

